

# **Component Procedures: Cylinder Head Assembly**

## **Table of Contents**

1. Parts and Labor (itype\_189)
2. Cylinder Head Gasket Replacement (Article 1411765)
3. Cylinder Head (Article 1421474)
4. Cylinder Head Inspection (Article 1440382)

# Component Procedures: Cylinder Head Assembly

## Parts and Labor (itype\_189)

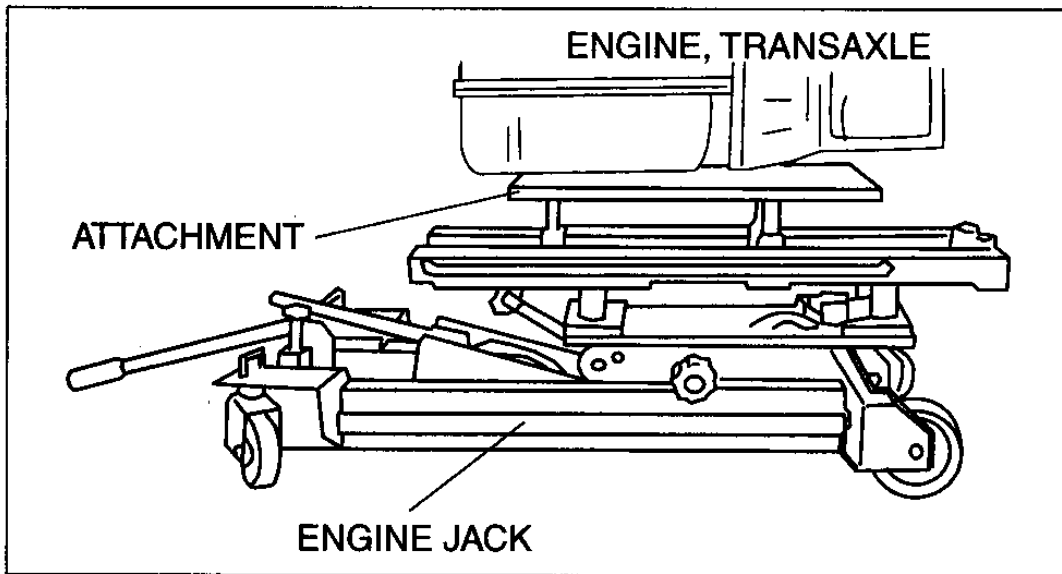
### Parts

Qualifier	Part #	Name	Price	Note
Cylinder Head	L3N510090L	2 - Cylinder Head	1622.94	

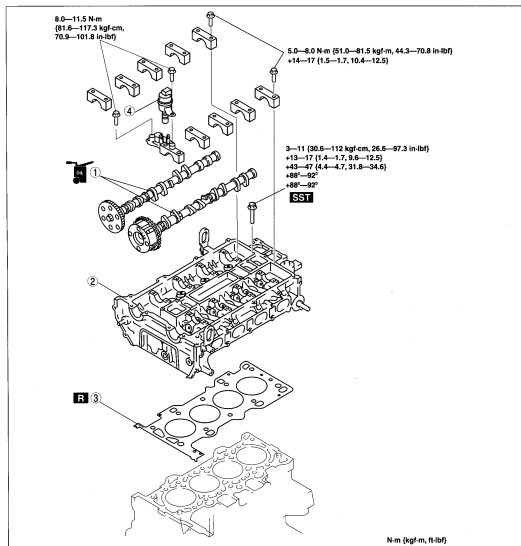
### Labor

Operation	Qualifier Path	Skill	Std Hrs	Wty Hrs
Replace	Cylinder Head, R&R	A	13.5	9.9

## Cylinder Head Gasket Replacement (Article 1411765)

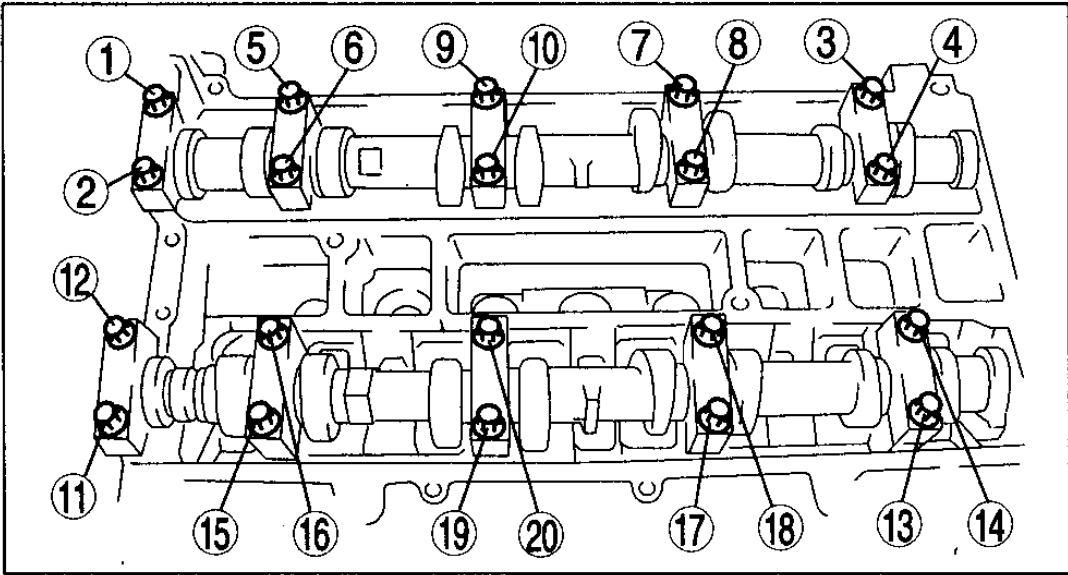


am3uuw0000129

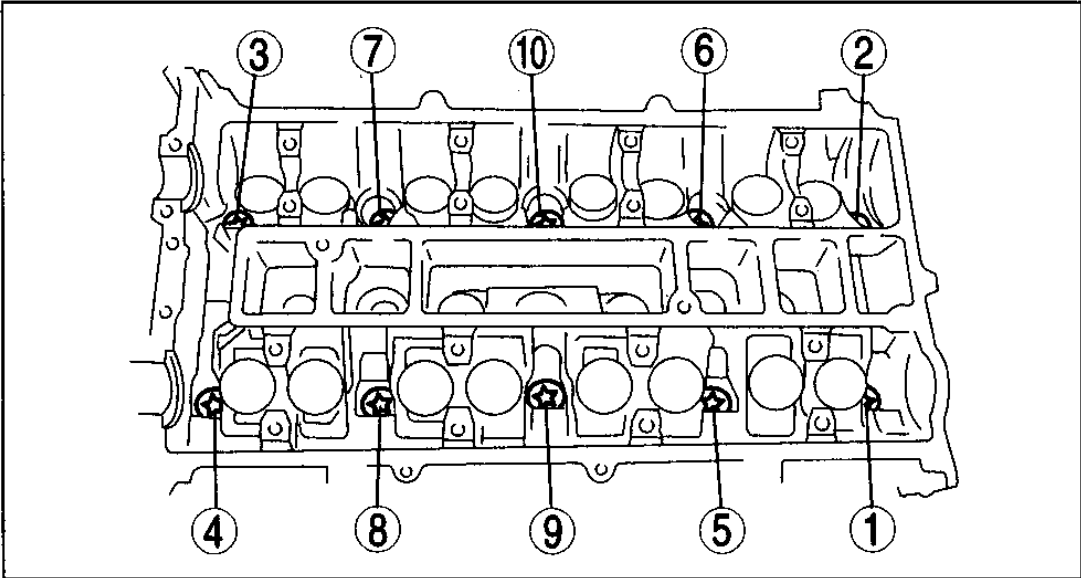


am3uuw0000129

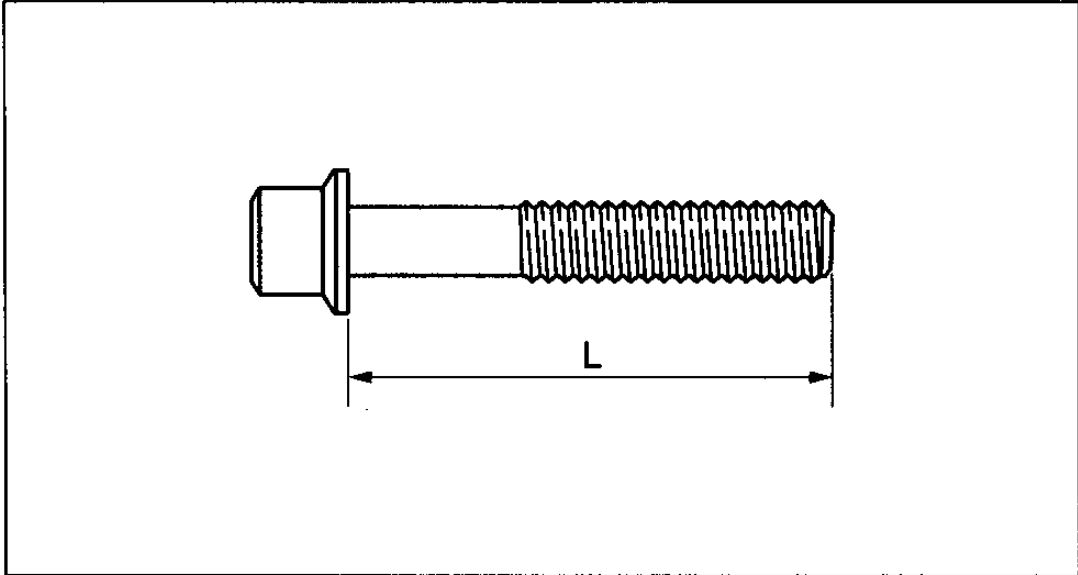
1	Camshaft (See Camshaft Removal Note.) (See Camshaft Installation Note.)
2	Cylinder head (See Cylinder Head Removal Note.) (See Cylinder Head Installation Note.)
3	Cylinder head gasket
4	Oil control valve (OCV)



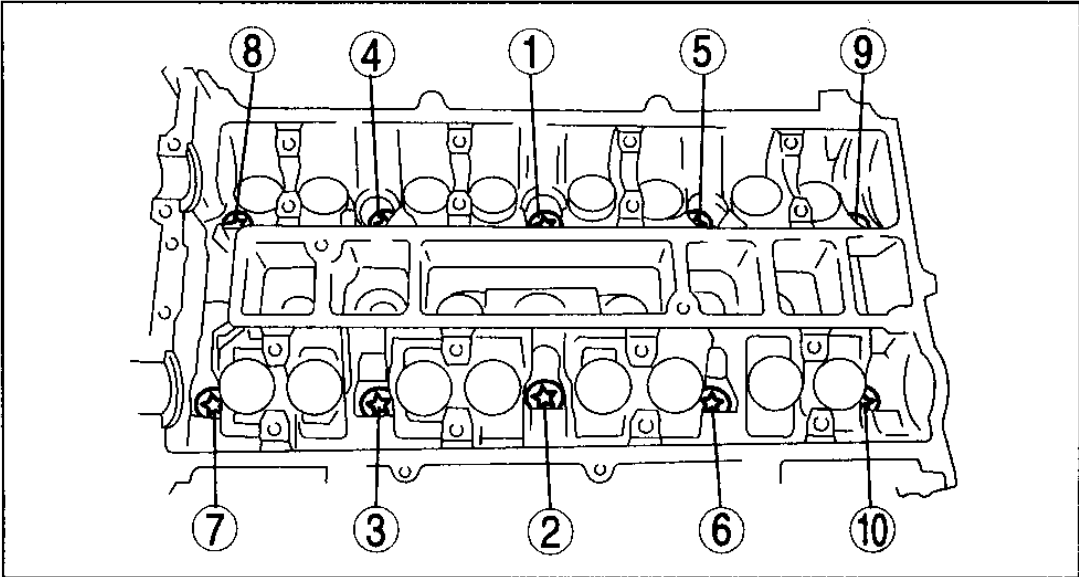
am3uuw0000129



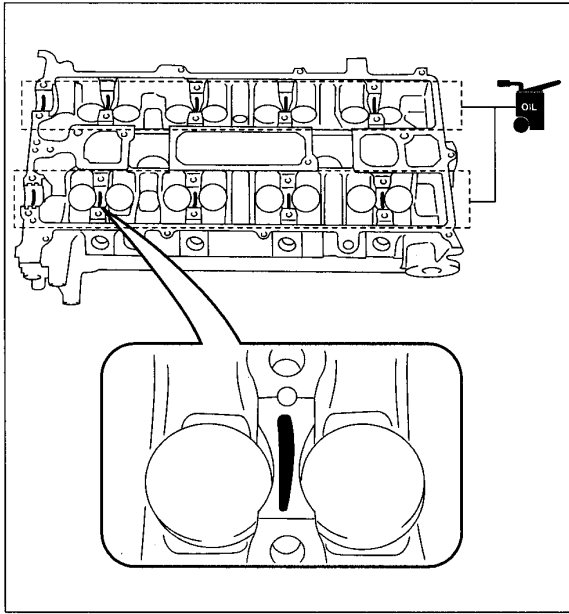
am3uuw0000129



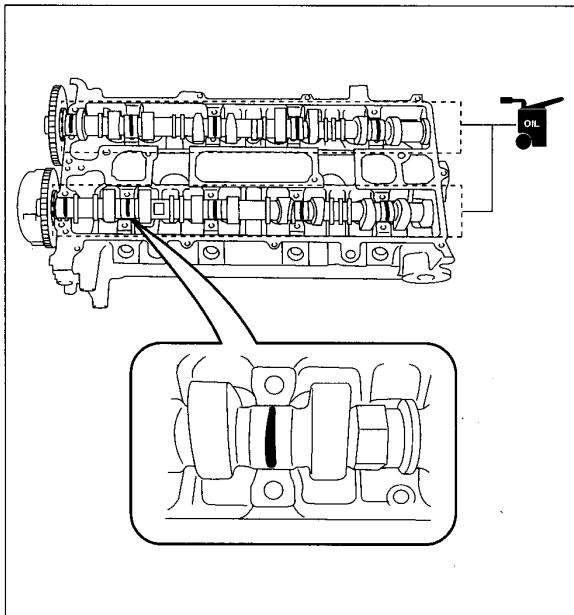
am3uuw0000129



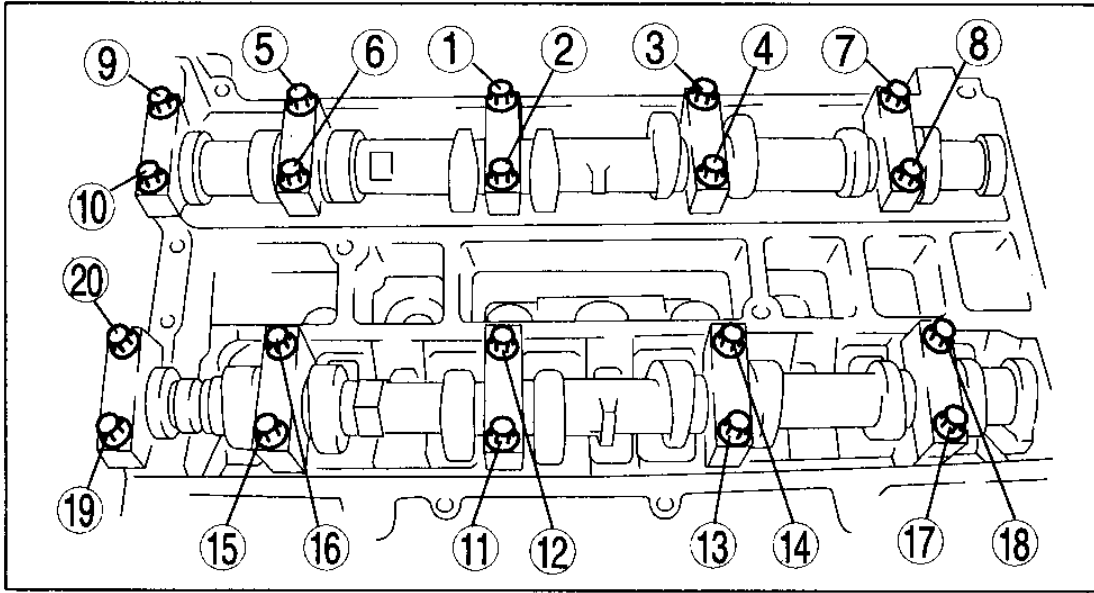
am3uuw0000129



am3uuw00001512

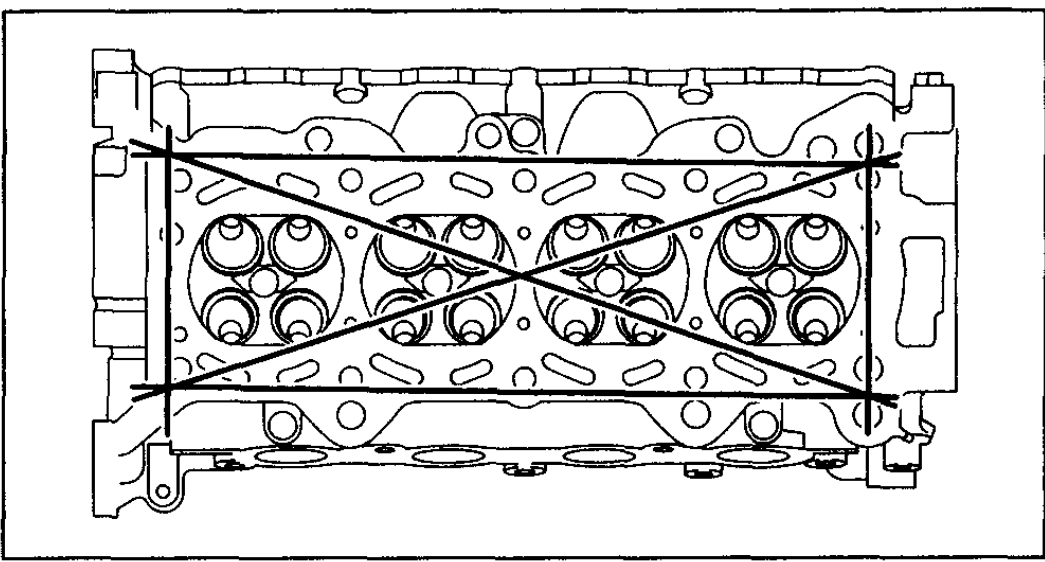


am3uuw00001513

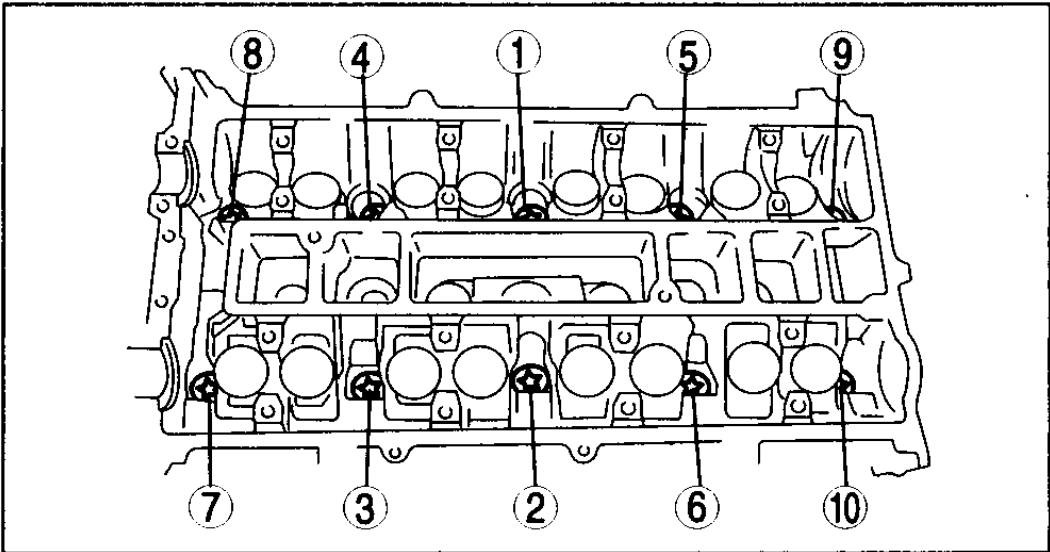


am3uuw0000129

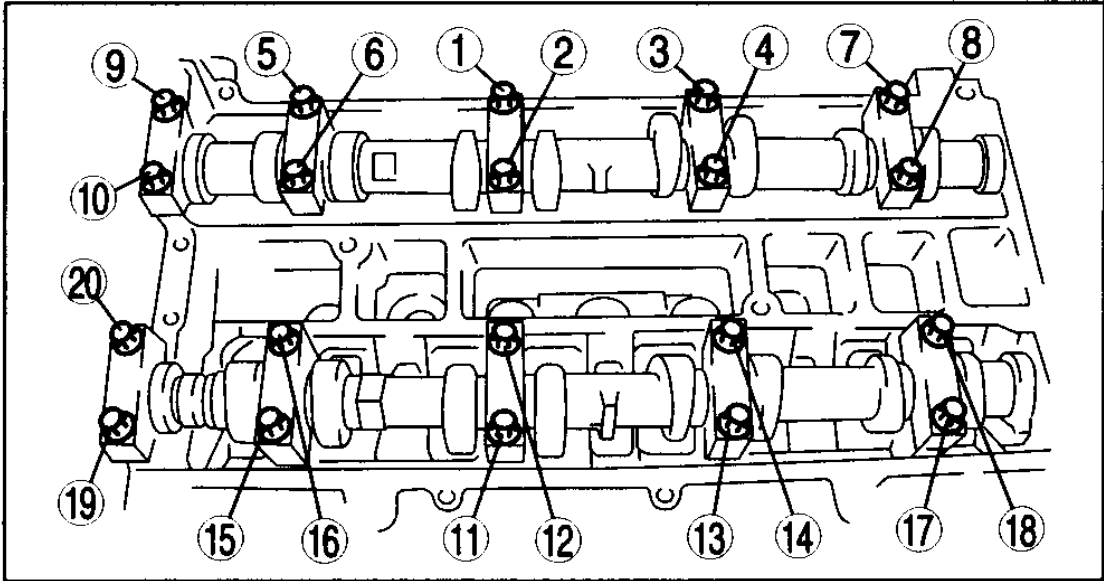
Cylinder Head (Article 1421474)



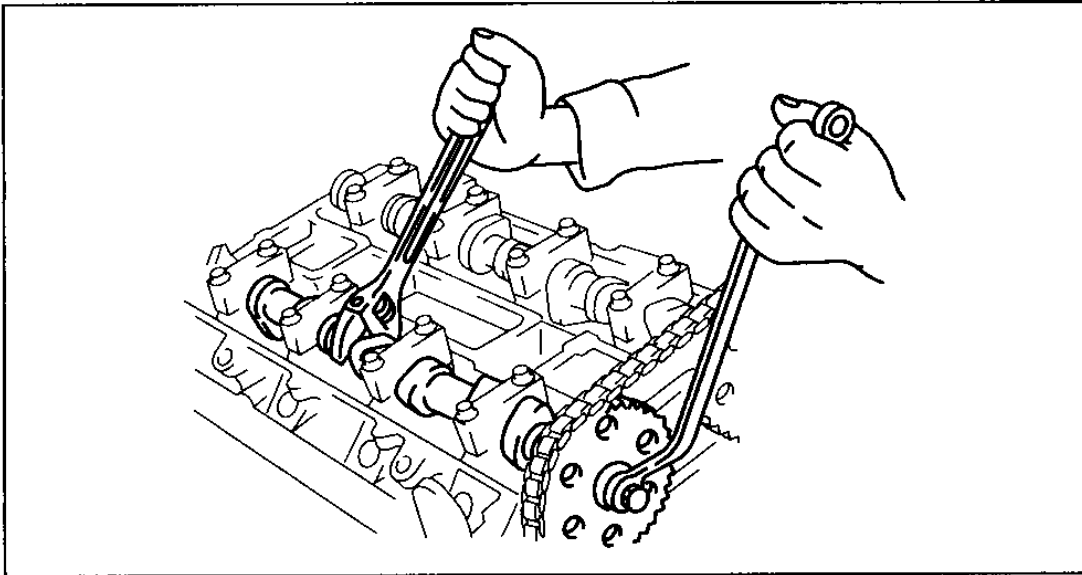
B3E0110E008



C3U0110E054

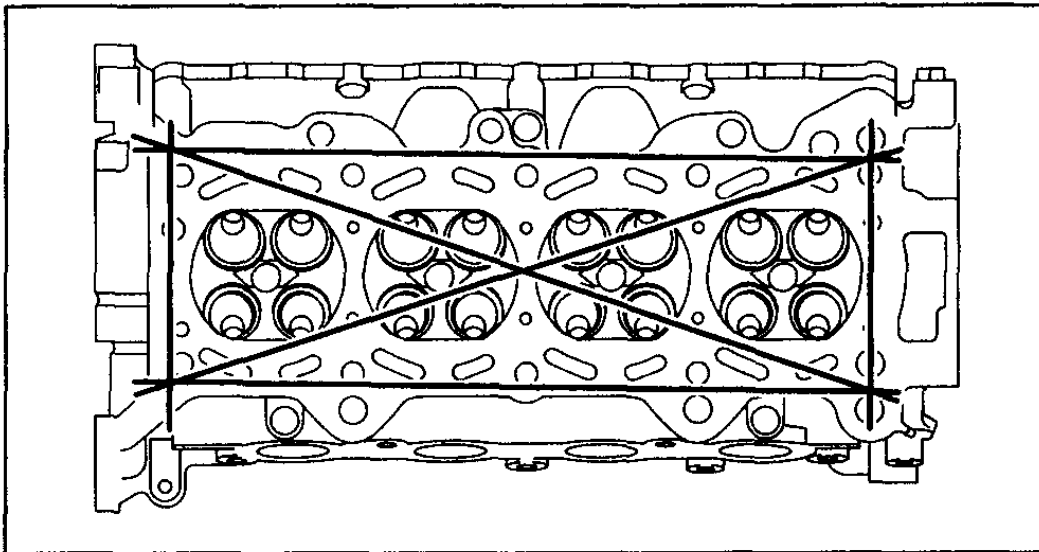


B3E0110E098

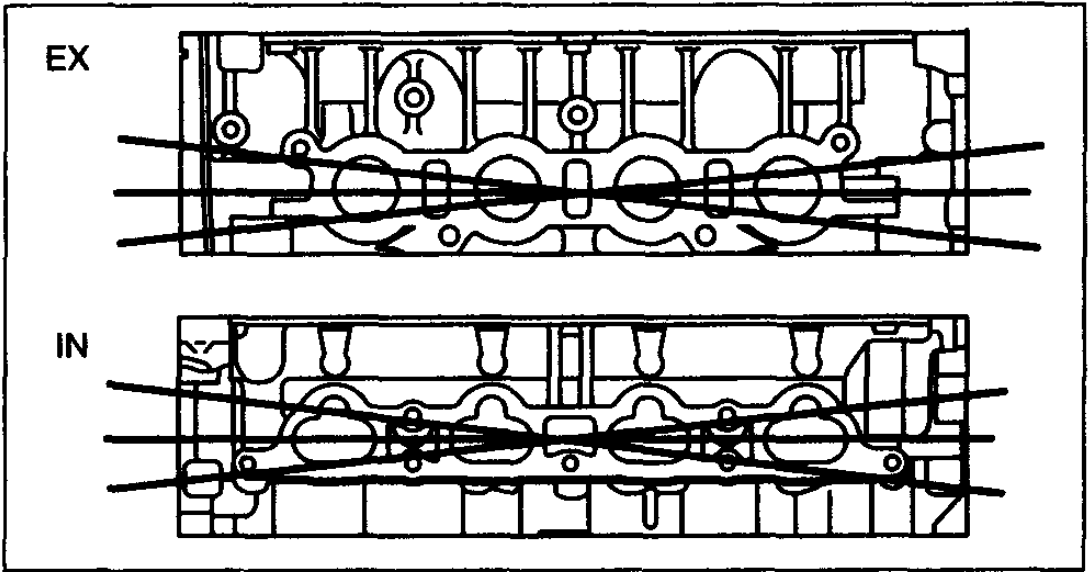


B3E0110E095

**Cylinder Head Inspection (Article 1440382)**



B3E0110E008



C3U0110E003