

# **Component Procedures: Windshield Washer Switch**

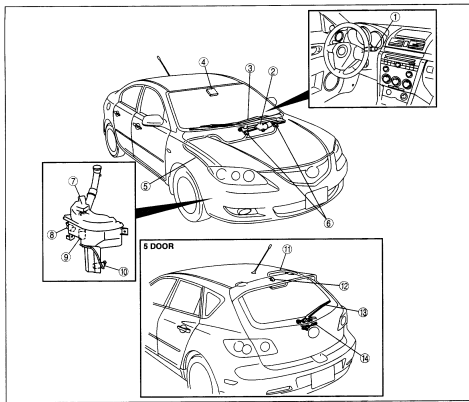
## **Table of Contents**

1. Components (itype\_32)
2. Wiper and Washer Switch (Article 1454886)
3. Component Tests and General Diagnostics (itype\_383)

# Component Procedures: Windshield Washer Switch

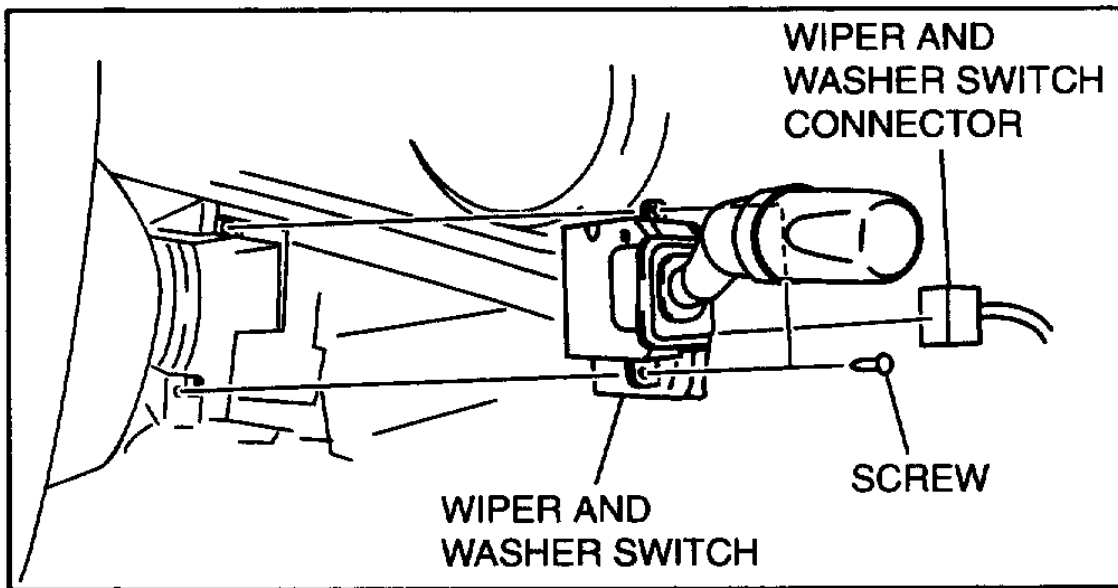
## Components (itype\_32)

WIPER/WASHER SYSTEM LOCATION INDEX



1	Windshield wiper and washer switch	4	Rain sensor
2	Windshield wiper motor	5	Windshield washer hose
3	Windshield wiper arm and blade	6	Windshield washer nozzle
		7	Washer tank
		8	Rear wiper motor

## Wiper and Washer Switch (Article 1454886)



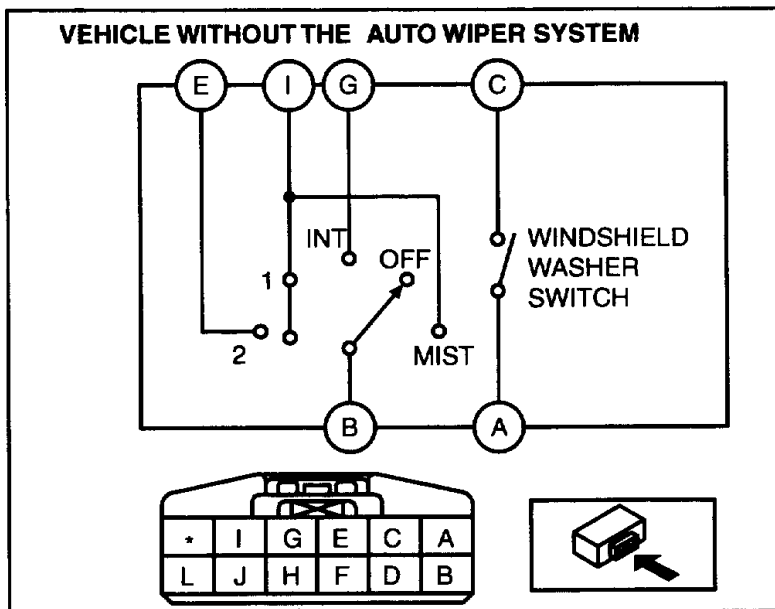
B3E0919W151

## Component Tests and General Diagnostics (itype\_383)

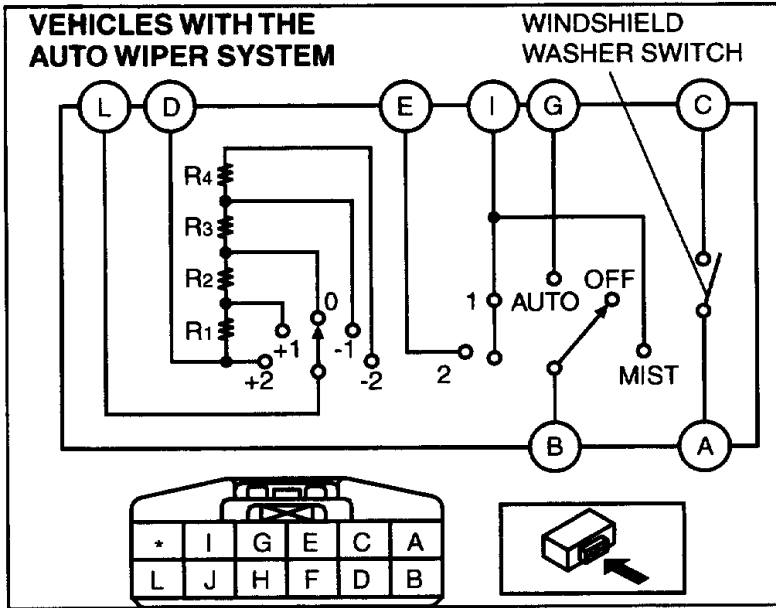
○—○ : Continuity

Switch position		Mist	Terminal					
			A	B	C	E	G	I
Windshield wiper switch	OFF	OFF						
		ON		○—○				○—○
	AUTO (INT)			○—○			○—○	
	1			○—○				○—○
	2			○—○		○—○		○—○
Windshield washer switch	ON		○—○		○—○			

B3E0919W128



B3E0919W127



B3E0919W110

○—W—○ : Resistance

Switch position		Terminal	
		D	L
+	2	○—	○
	1	○—	○
0		○—	○
-	1	○—	○
	2	○—	○

R<sub>1</sub> : 228—252 ohms    R<sub>2</sub> : 228—252 ohms  
 R<sub>3</sub> : 228—252 ohms    R<sub>4</sub> : 228—252 ohms

B3E0919W111