

# **Component Procedures: Cylinder Block Assembly**

## **Table of Contents**

1. Parts and Labor (itype\_189)
2. Technical Data (Article 1421743)
3. All Technical Service Bulletins (itype\_100)
4. Repair Tips (itype\_110)
5. Cylinder Block Inspection (Article 1439350)

# Component Procedures: Cylinder Block Assembly

## Parts and Labor (itype\_189)

### Parts

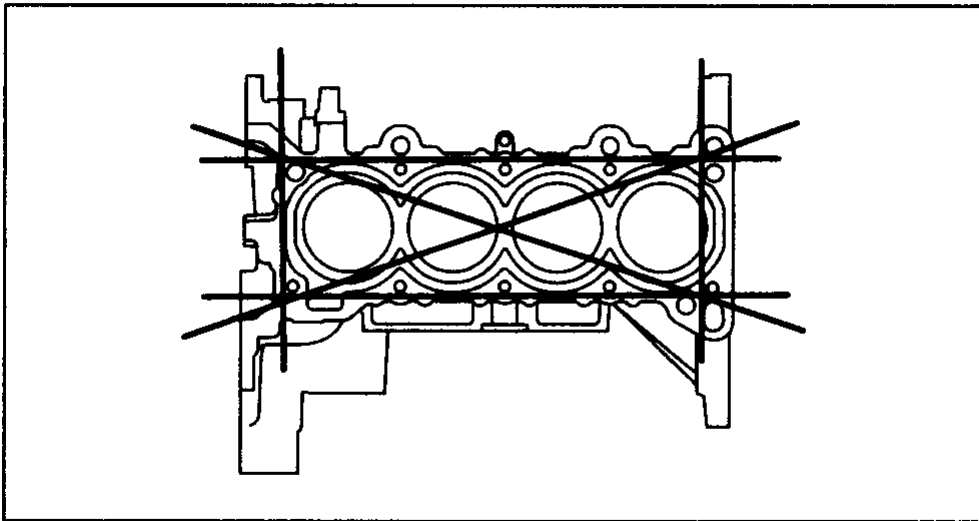
Qualifier	Part #	Name	Price	Note
Cylinder Block > To 9/29/08	L3G710300C	1 - Cylinder Block	2333.31	

### Labor

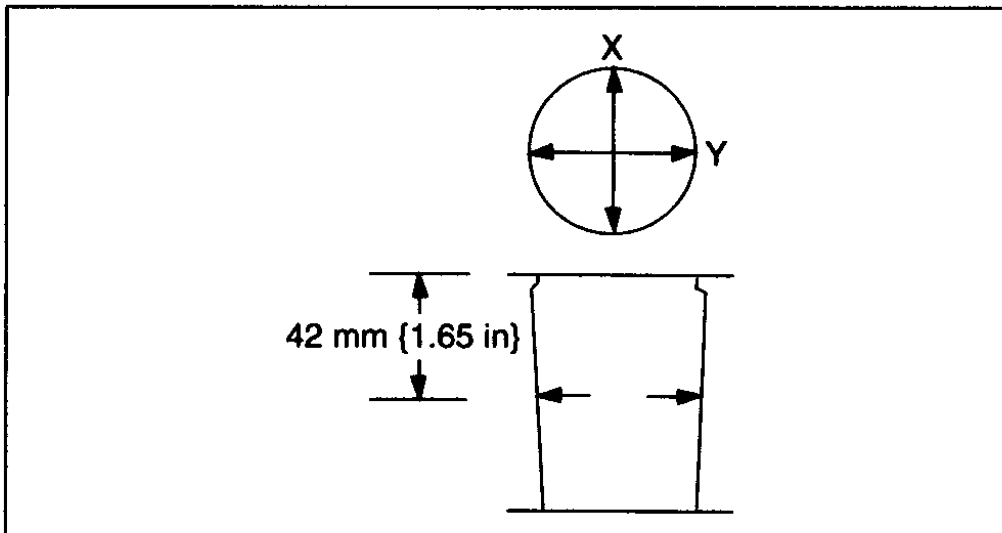
Operation	Qualifier Path	Skill	Std Hrs	Wty Hrs
Replace	Cylinder Block, R&R	A	19.7	14.3

## Technical Data (Article 1421743)

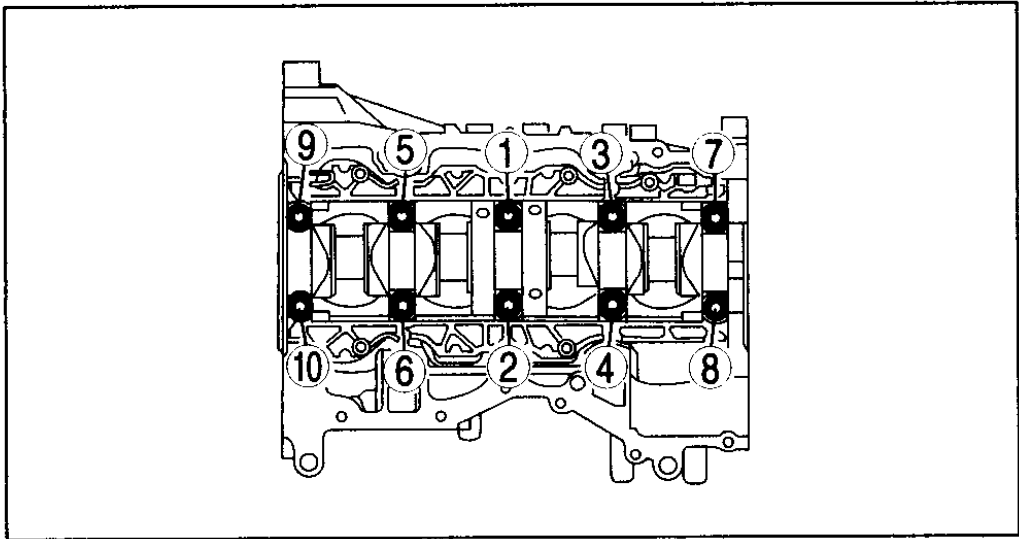
E5U011010300E01



ADJ2224E089



C3U0110E007



B3E0110E105

**All Technical Service Bulletins (itype\_100)**

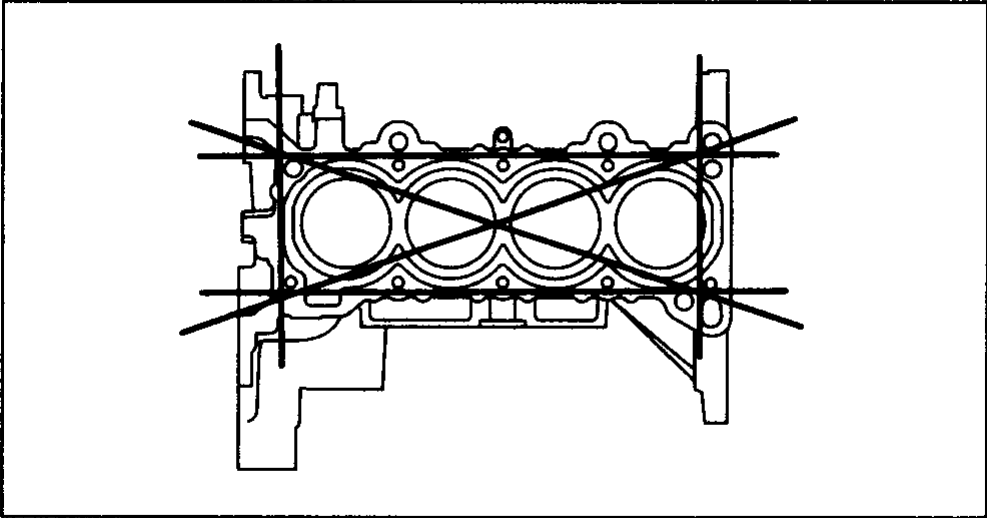
Tsbs  
- Engine - Front Crankshaft Bolt Service Precautions (0104007, 2007/10/03)

**Repair Tips (itype\_110)**

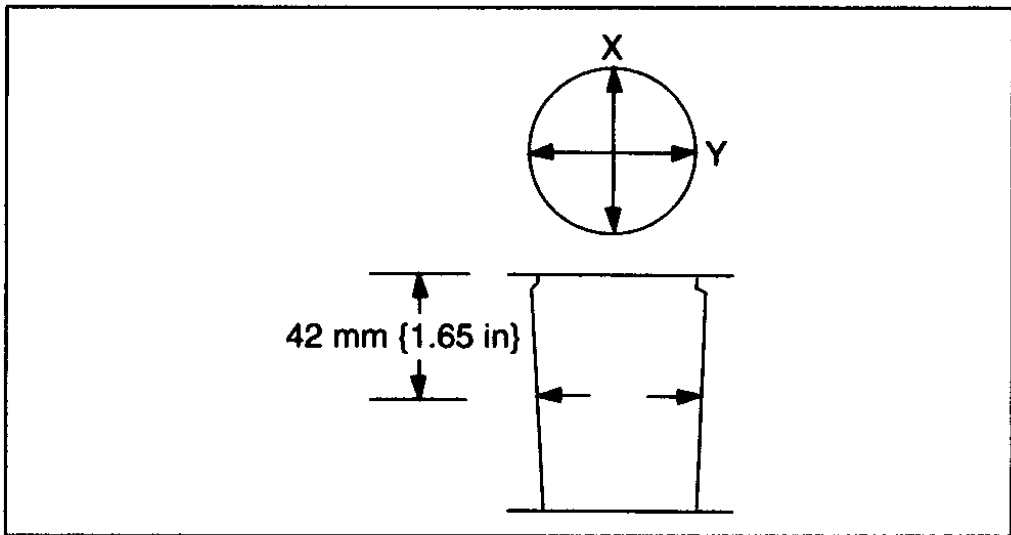
Tsbs  
- Engine - Front Crankshaft Bolt Service Precautions (0104007, 2007/10/03)

**Cylinder Block Inspection (Article 1439350)**

E5U011010300E01



ADJ2224E089



C3U0110E007