

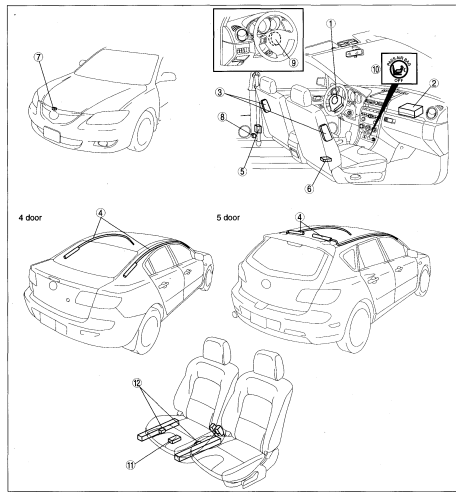
Component Procedures: Seat Occupant Classification Module - Air Bag

Table of Contents

1. Components (itype_32)
2. Removal and Replacement (itype_401)

Component Procedures: Seat Occupant Classification Module - Air Bag Components (itype_32)

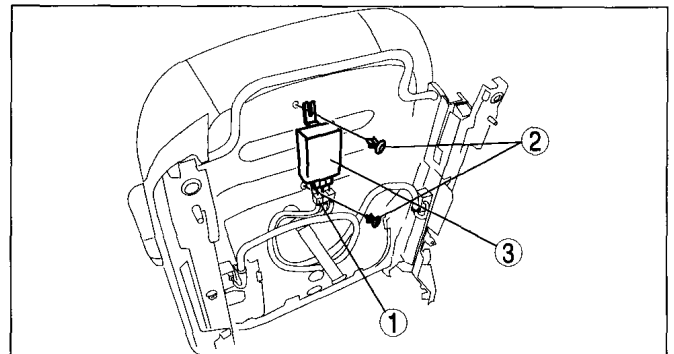
LOCATION INDEX



1	Driver-side air bag module	3	Side air bag module
2	Passenger-side air bag module	4	Curtain air bag module

Removal and Replacement (itype_401)

1	Connector
2	Fasner
3	Seat weight sensor control module



c3u0810w520