

Component Procedures: Oil Pan

Table of Contents

1. Parts and Labor (itype_189)
2. Engine Oil Pan Removal/Installation (Article 1440806)
3. Mechanical (including Torque) (itype_28)
4. All Technical Service Bulletins (itype_100)
5. New / Updated Parts (itype_117)
6. Service Manual Updates (itype_115)

Component Procedures: Oil Pan

Parts and Labor (itype_189)

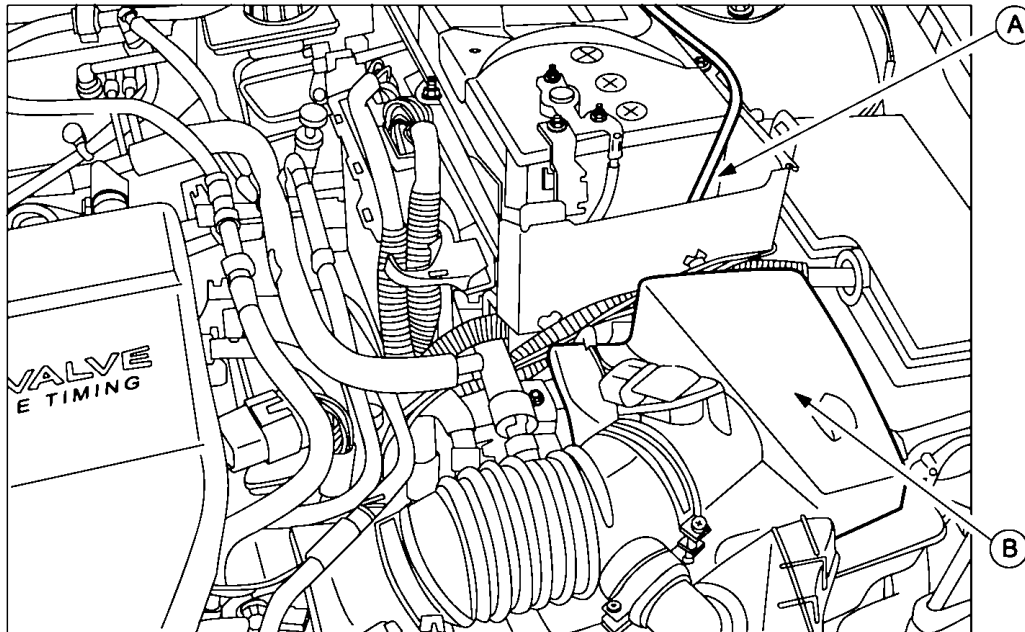
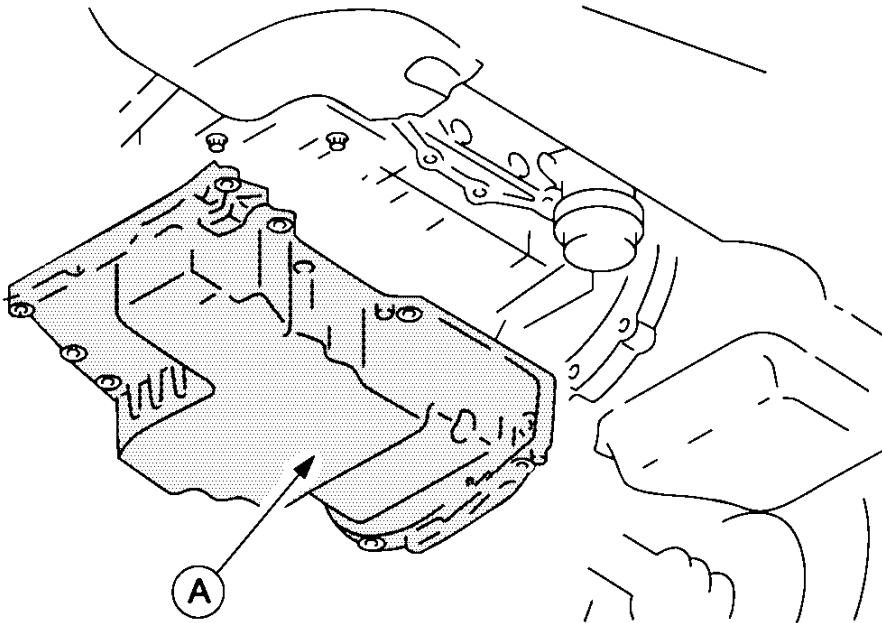
Parts

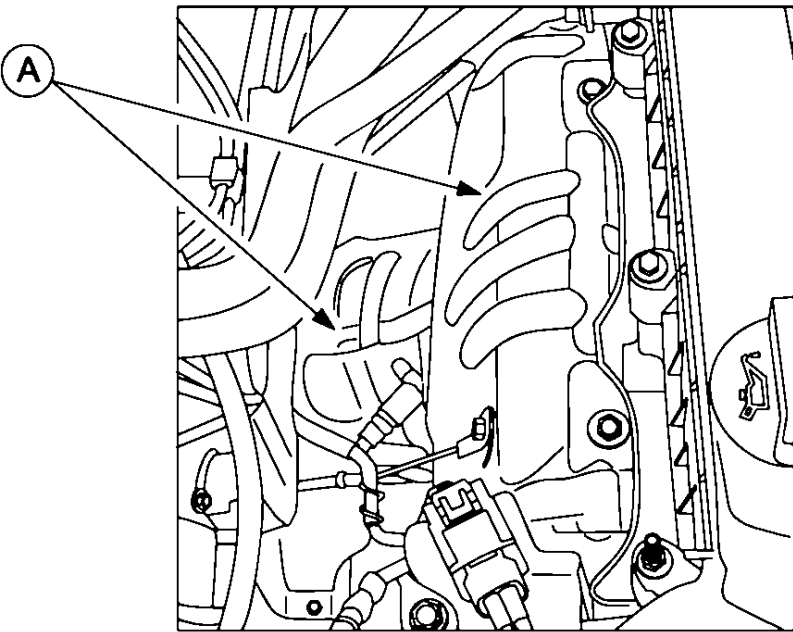
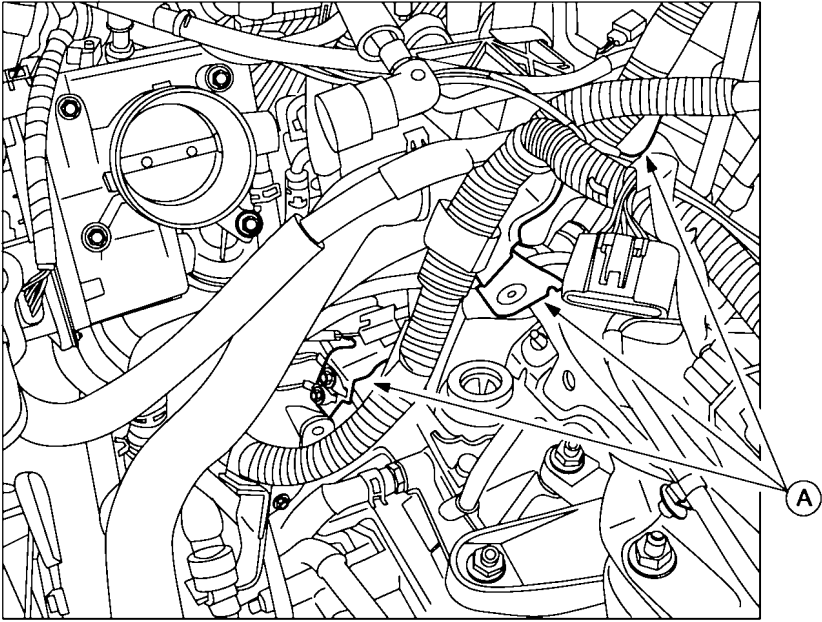
Qualifier	Part #	Name	Price	Note
Oil Pan	L3N510400B	28 - Oil Pan	321.08	Includes Oil Pan Baffle.

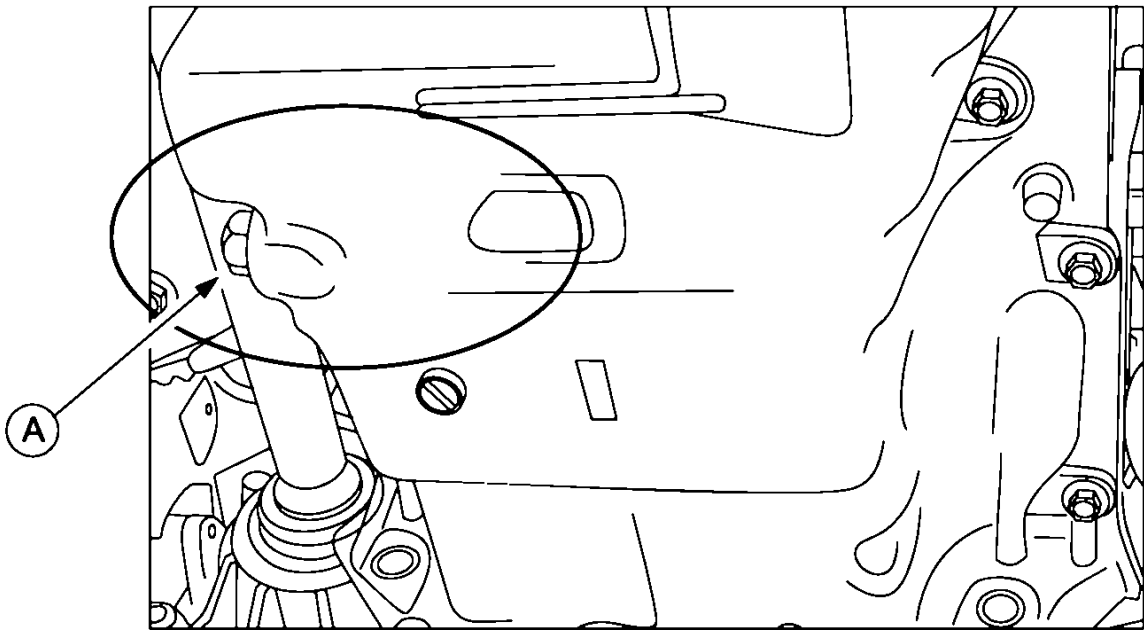
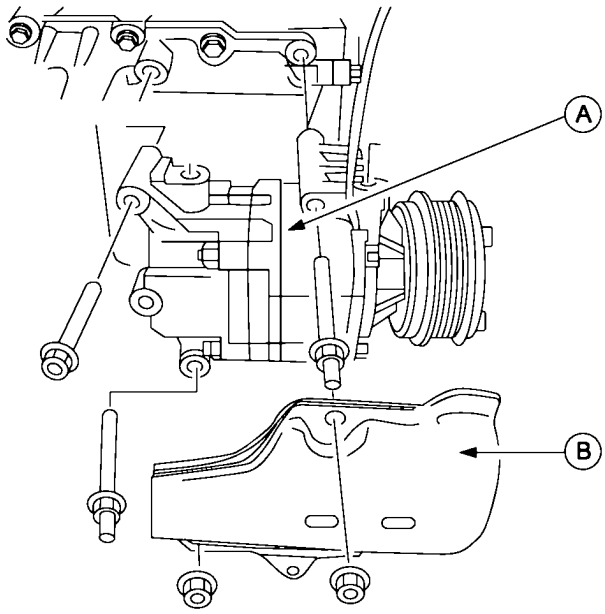
Labor

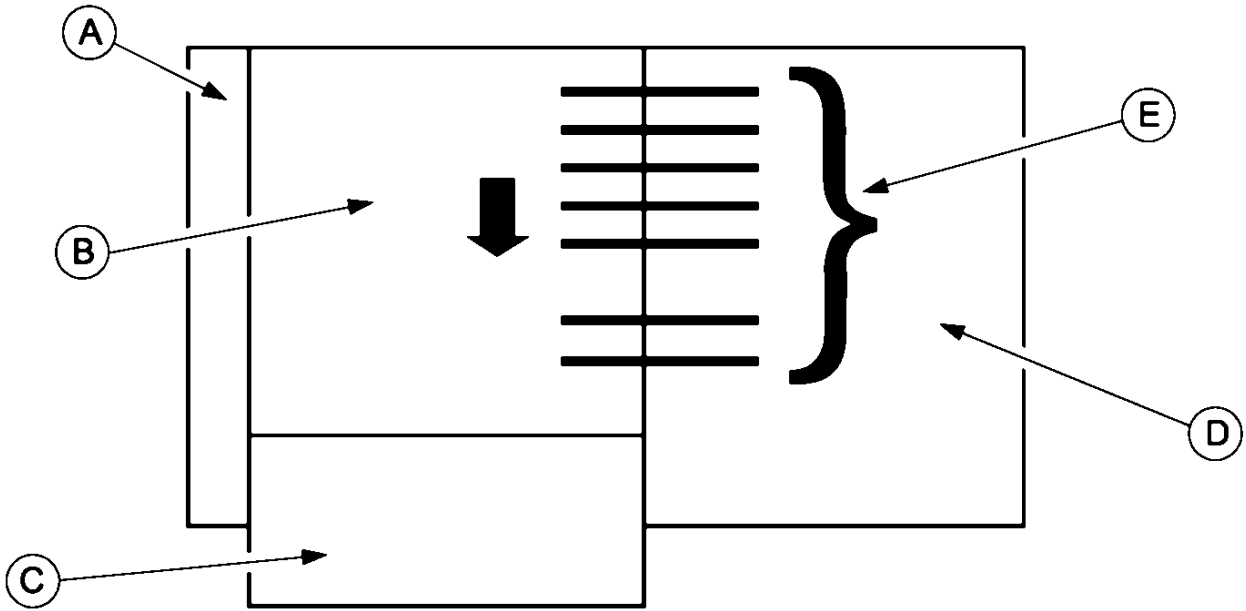
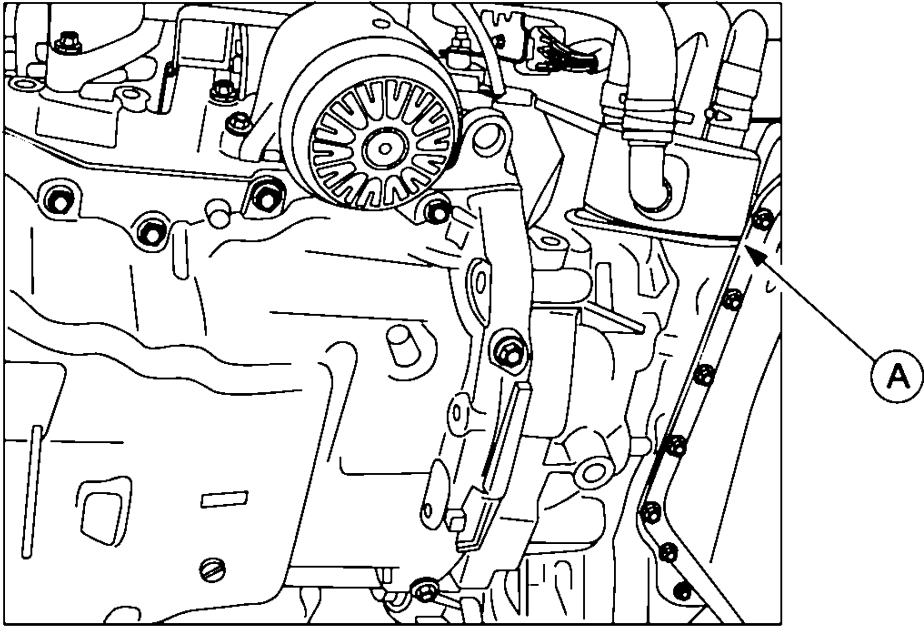
Operation	Qualifier Path	Skill	Std Hrs	Wty Hrs
Replace	Oil Pan, R&R	B	2.7	1.9

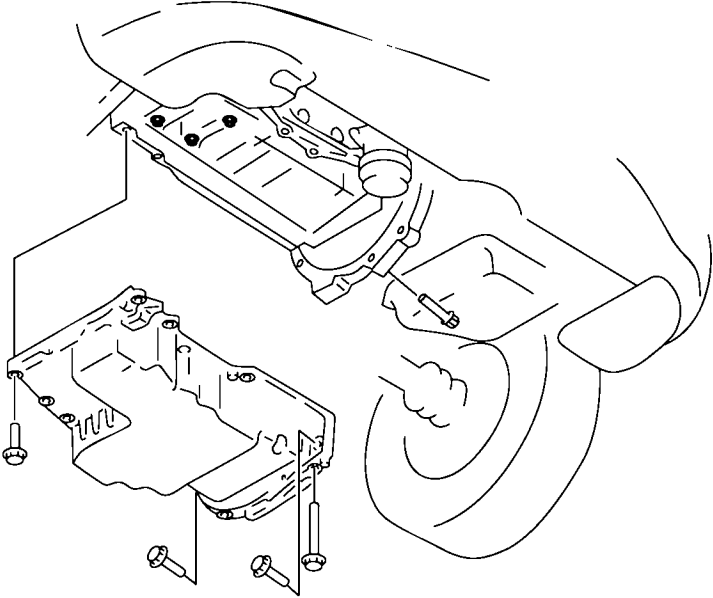
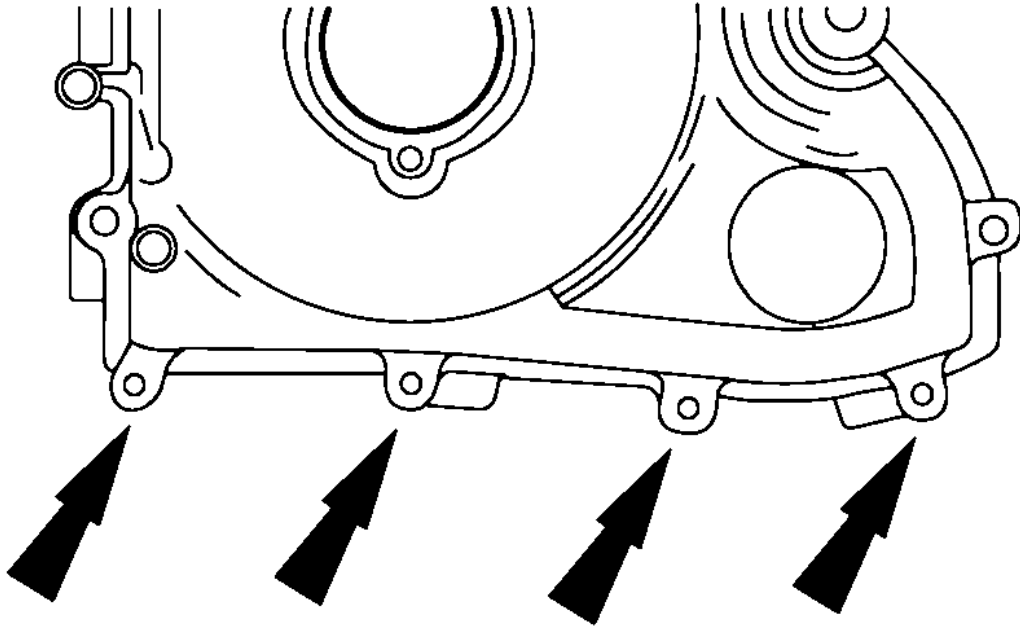
Engine Oil Pan Removal/Installation (Article 1440806)

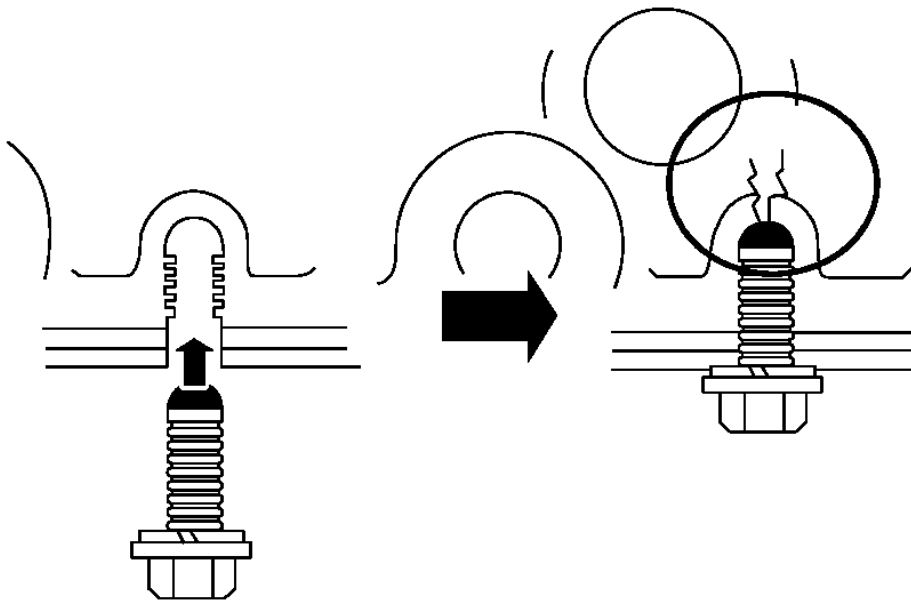
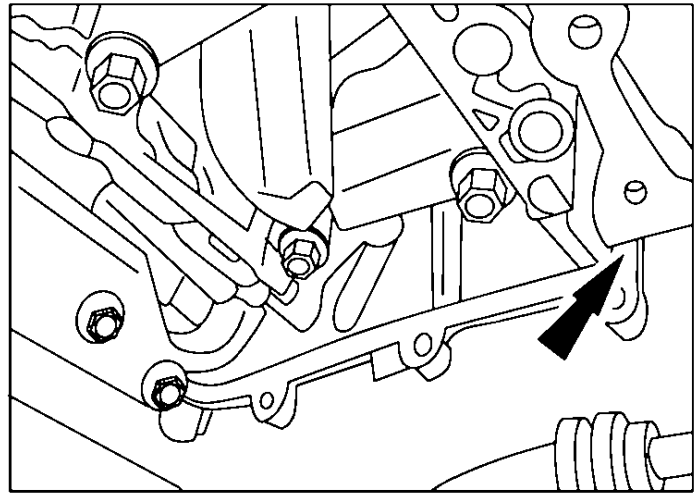
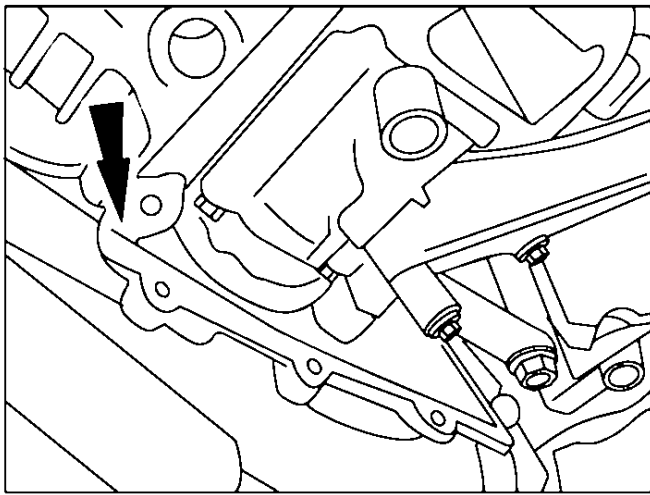
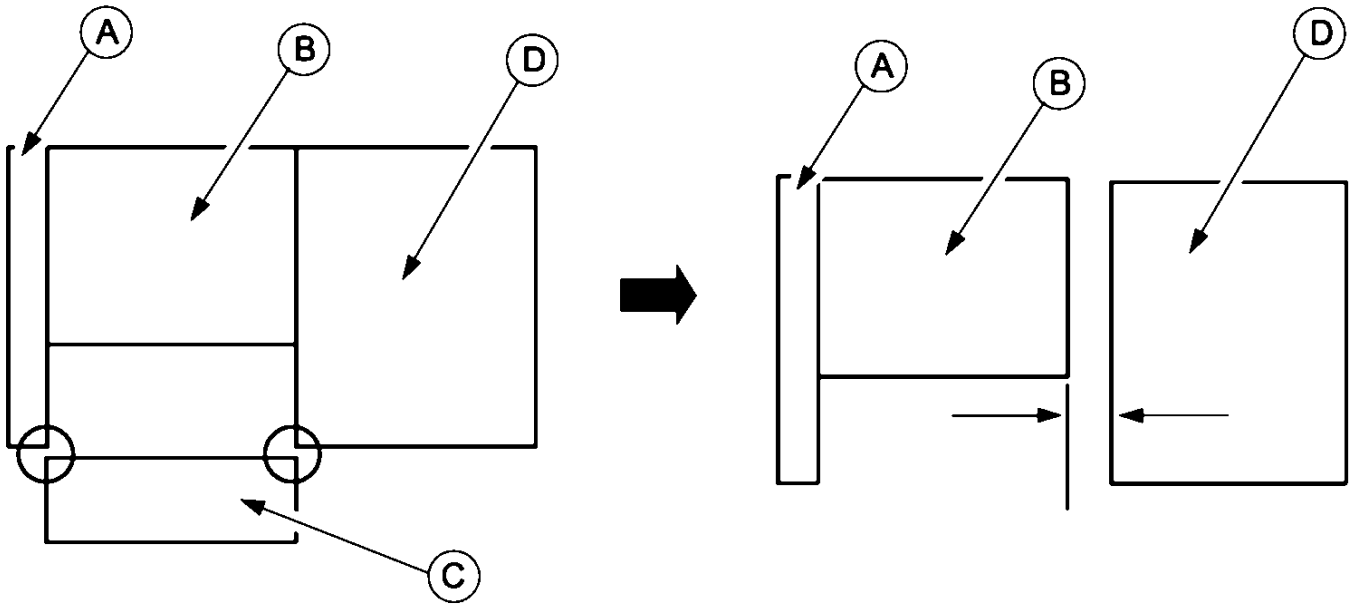


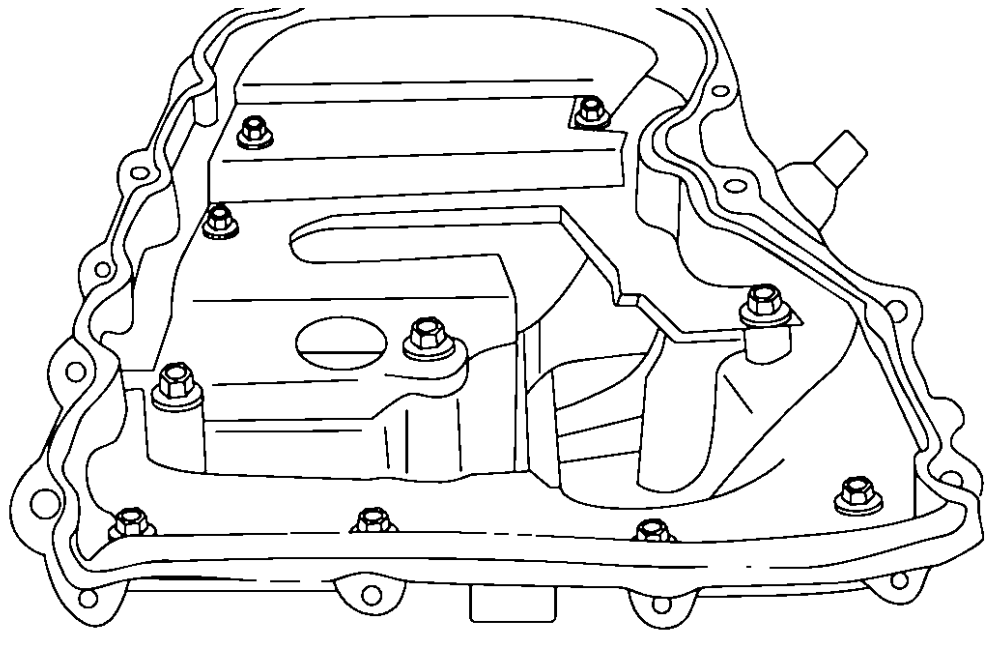
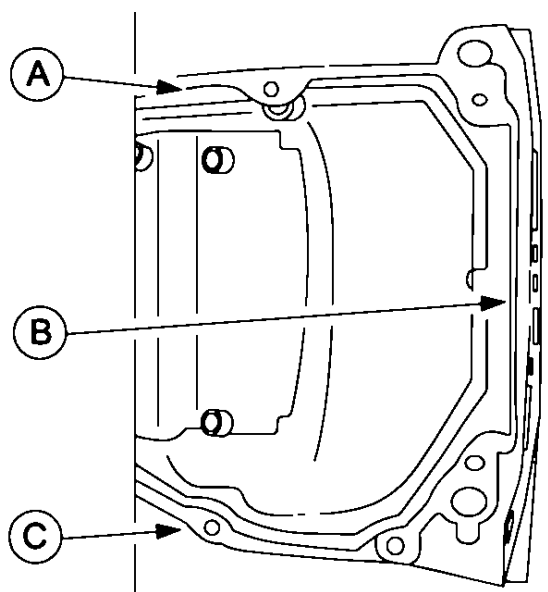
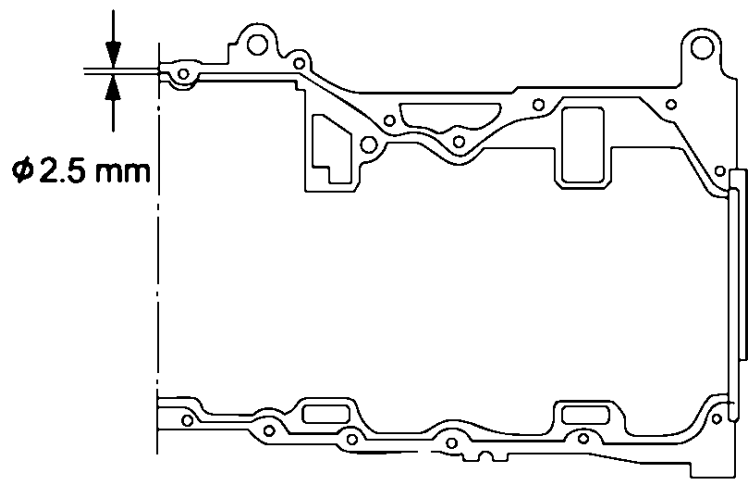


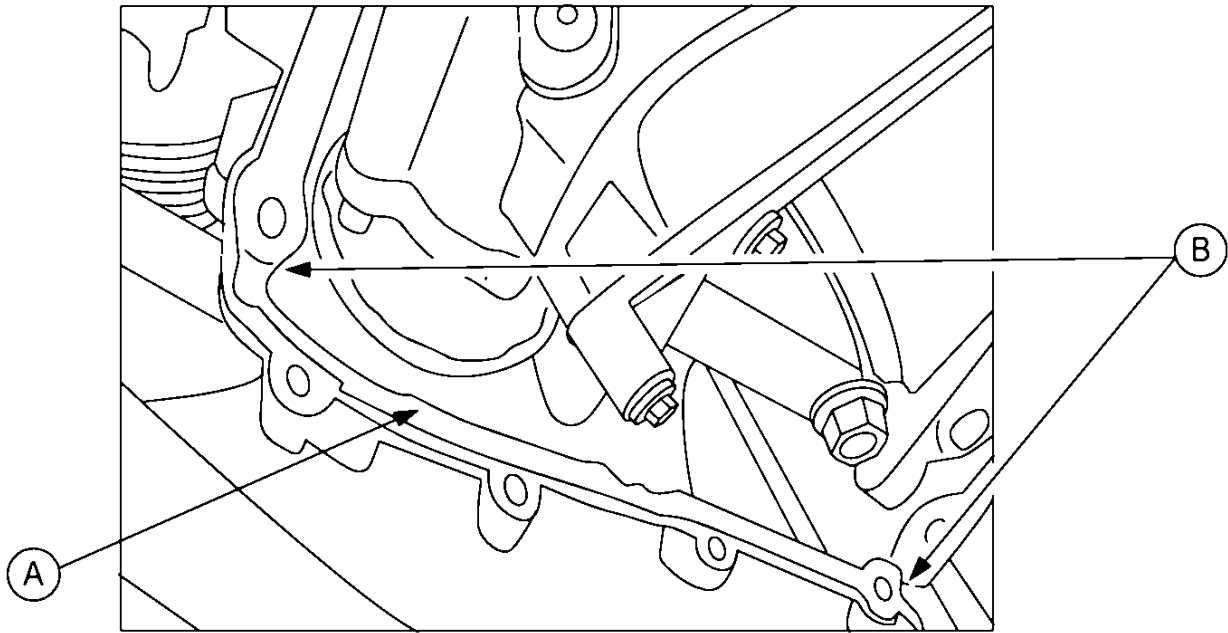




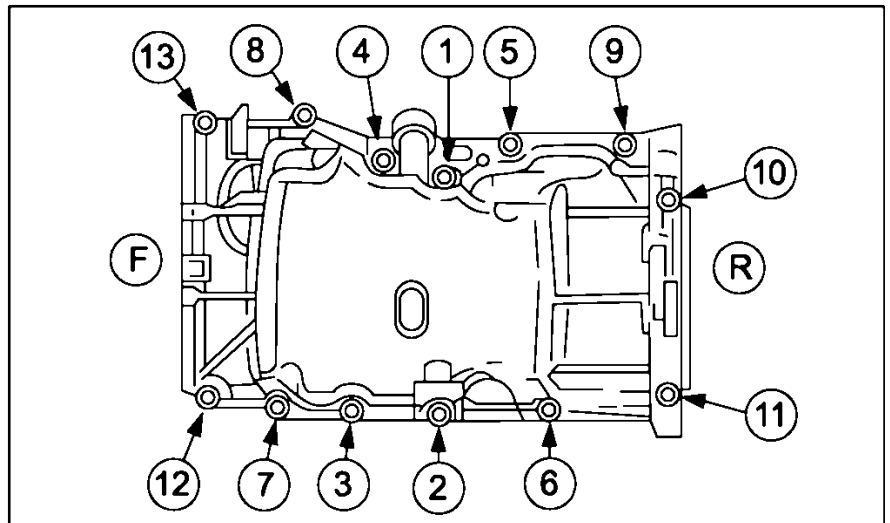
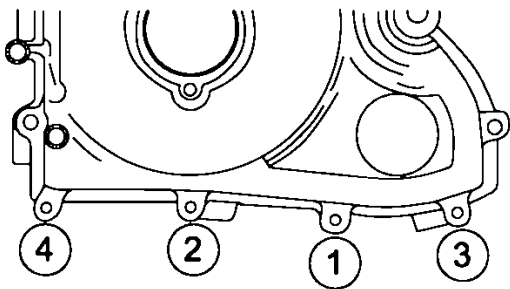
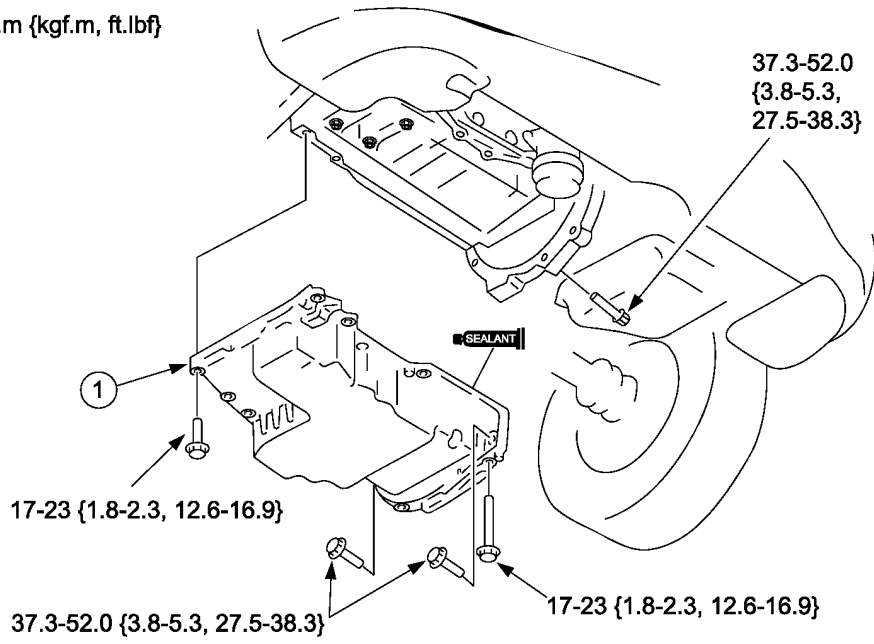


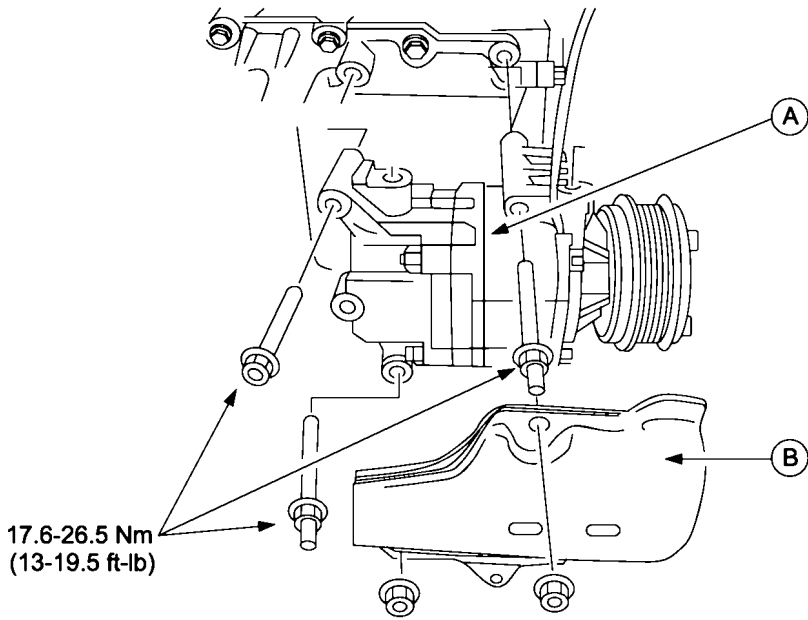
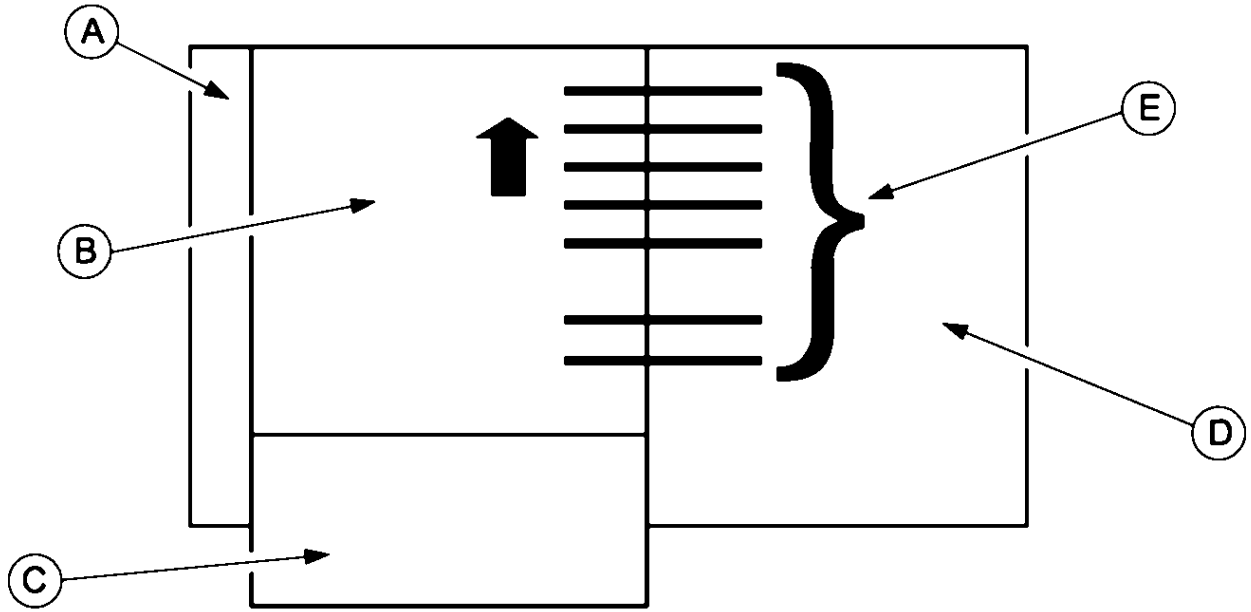




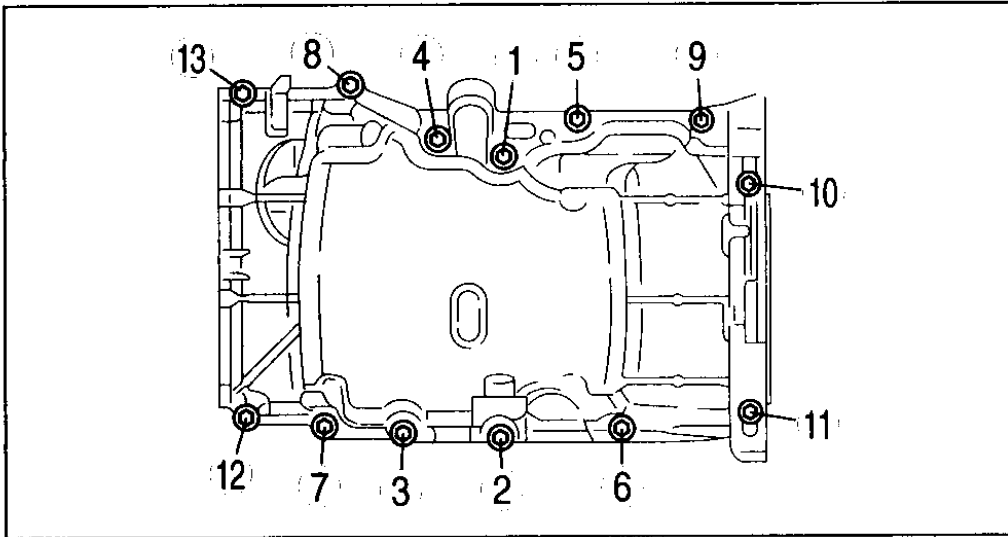


N.m {kgf.m, ft.lbf}





Mechanical (including Torque) (itype_28)



B3E0110E122

All Technical Service Bulletins (itype_100)

Tsbs

- Engine - Revised Oil Pan Removal/Installation (0101309, 2009/04/16)

New / Updated Parts (itype_117)

Tsbs

- Engine - Revised Oil Pan Removal/Installation (0101309, 2009/04/16)

Service Manual Updates (itype_115)

Tsbs

- Engine - Revised Oil Pan Removal/Installation (0101309, 2009/04/16)