

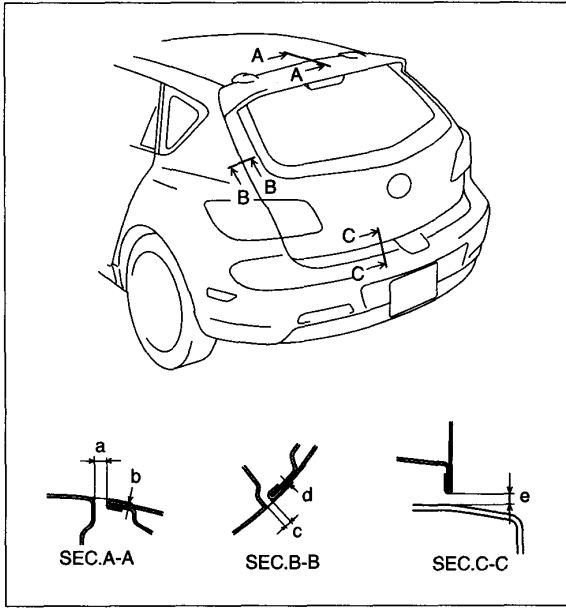
Component Procedures: Trunk / Liftgate

Table of Contents

1. Liftgate Adjustment (Article 1440513)
2. Trunk Lid Adjustment (Article 1440514)
3. Components (itype_32)
4. Trunk Lid Removal/Installation (Article 1384582)
5. Liftgate Removal/Installation (Article 1358697)

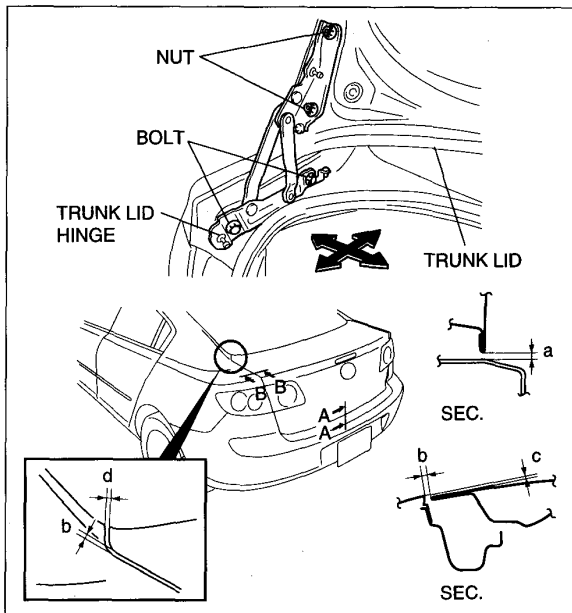
Component Procedures: Trunk / Liftgate

Liftgate Adjustment (Article 1440513)



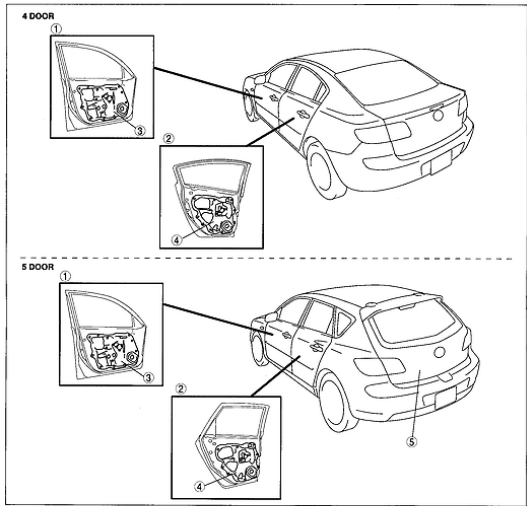
c3u0911w102

Trunk Lid Adjustment (Article 1440514)



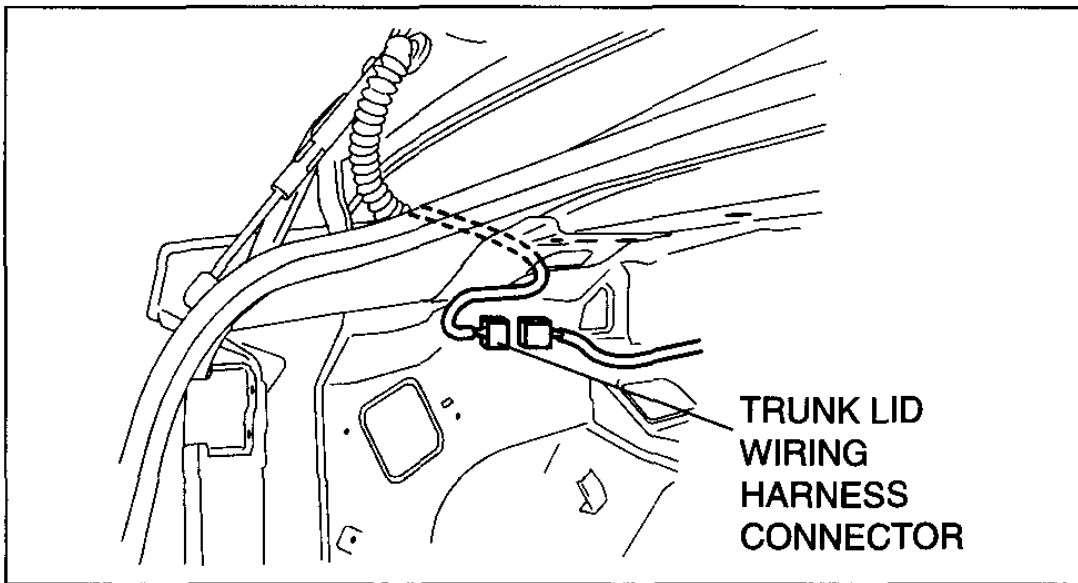
c3u0910w001

Components (itype_32)

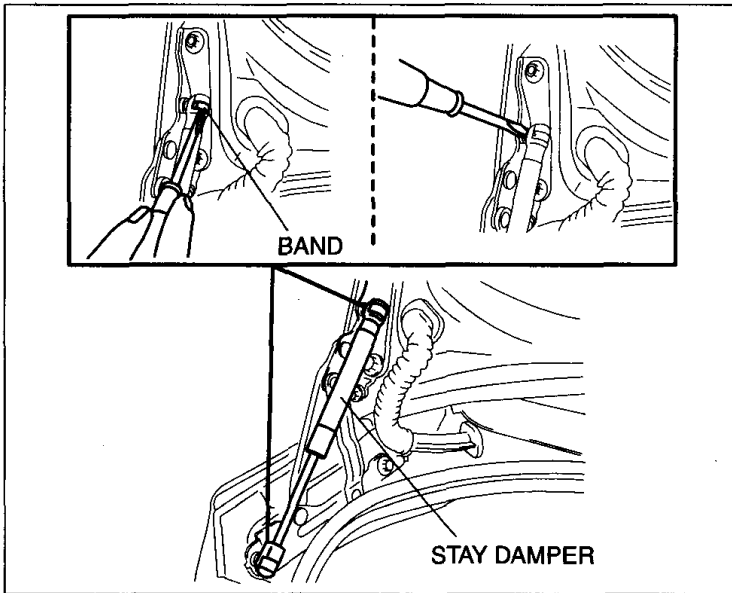


| | | | |
|---|------------|---|-----------------|
| 1 | Front door | 3 | Front door unit |
| 2 | Rear door | 4 | Rear door unit |
| | | 5 | Liftgate |

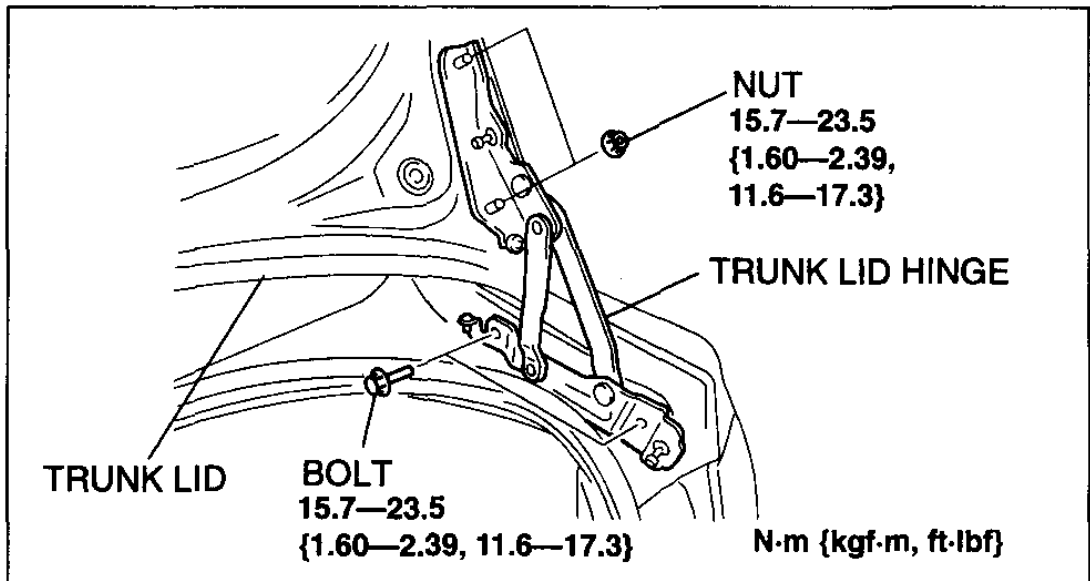
Trunk Lid Removal/Installation (Article 1384582)



am3uuw000046



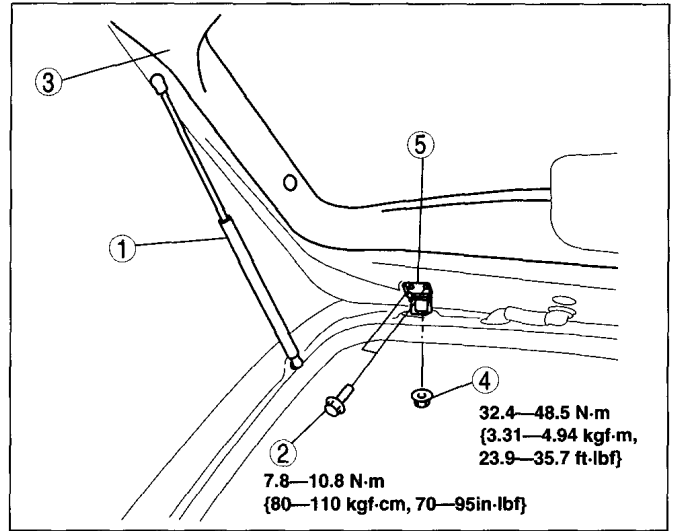
am3uuw000046



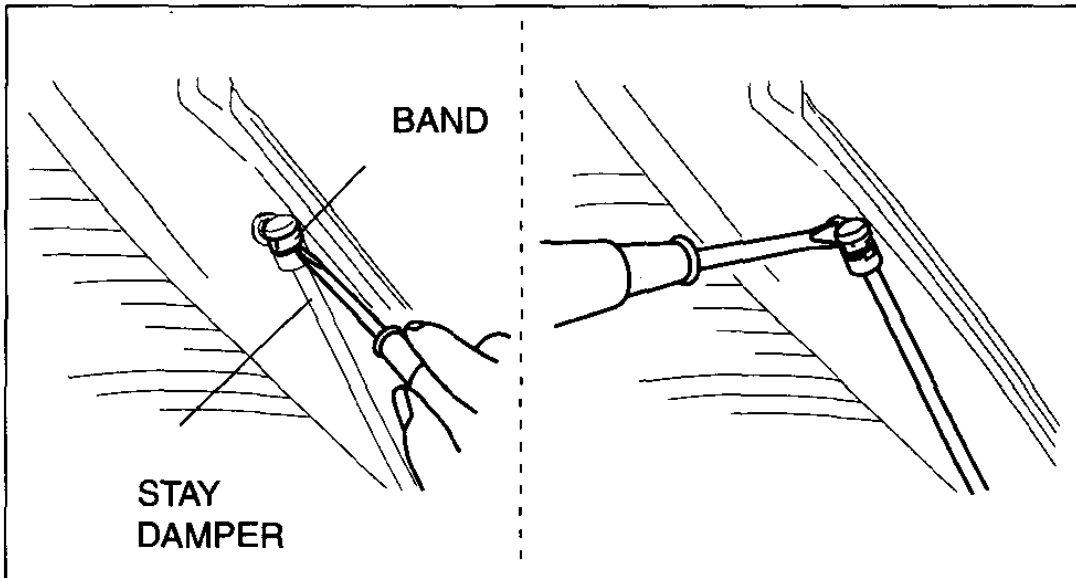
am3uuw000046

Liftgate Removal/Installation (Article 1358697)

| | |
|---|----------------|
| 1 | Stay damper |
| 2 | Bolt |
| 3 | Liftgate |
| 4 | Nut |
| 5 | Liftgate hinge |



am3uuw000047



am3uuw000047