

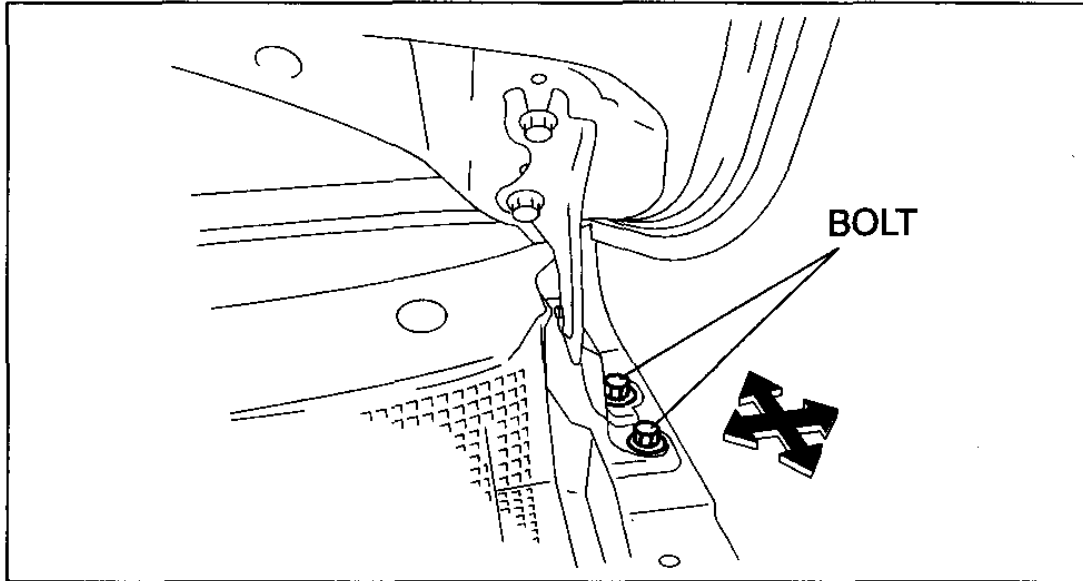
Component Procedures: Hood

Table of Contents

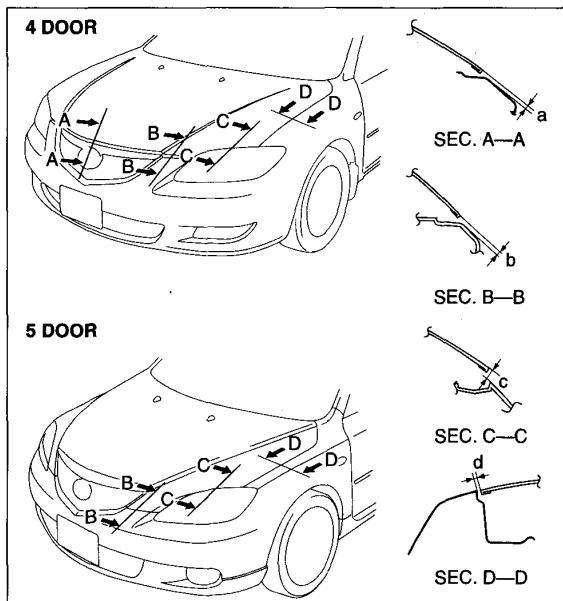
1. Gap Adjustment (Article 1453851)
2. Height Adjustment (Article 1453852)
3. Removal and Replacement (itype_401)

Component Procedures: Hood

Gap Adjustment (Article 1453851)

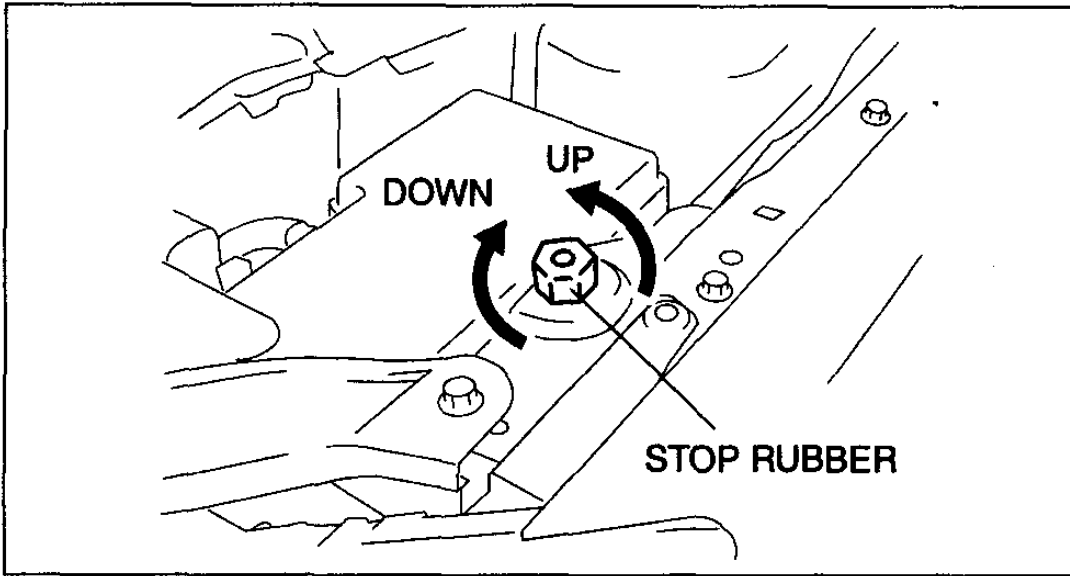


am3uuw000045

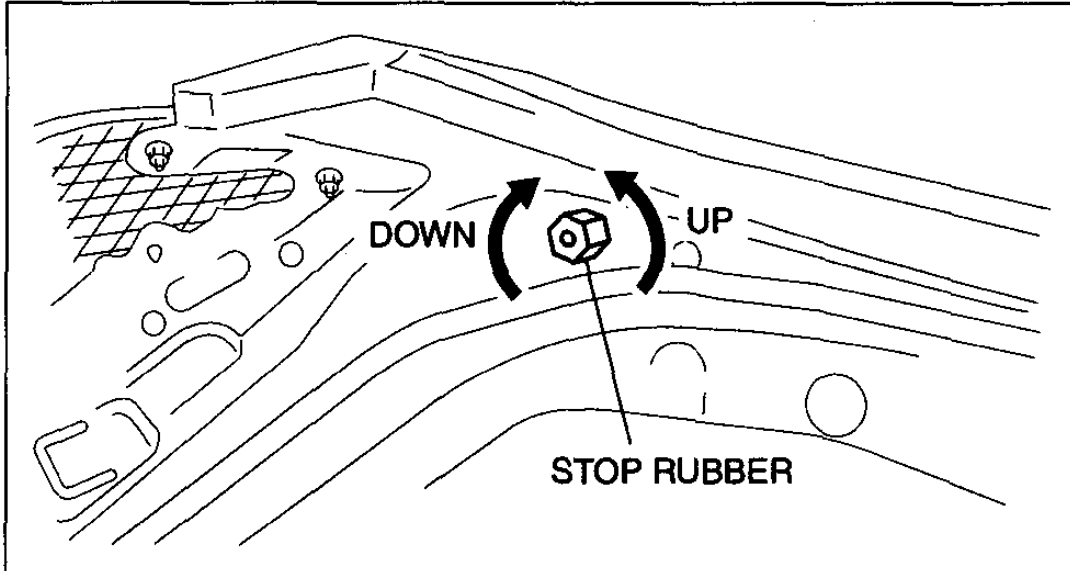


c3u0910w104

Height Adjustment (Article 1453852)

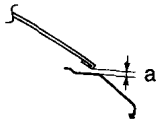
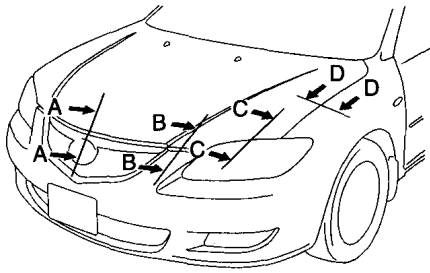


am3uuw0000046

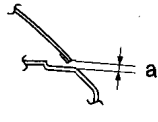


am3uuw0000046

4 DOOR

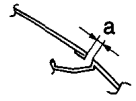
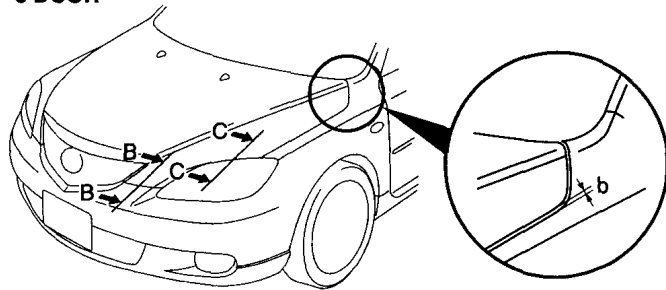


SEC. A—A

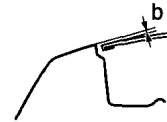


SEC. B—B

5 DOOR



SEC. C—C

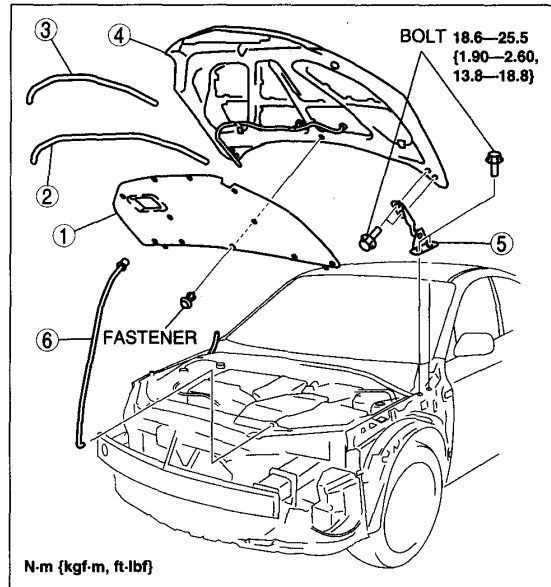


SEC. D—D

c3u0910w106

Removal and Replacement (itype_401)

1	Hood insulator
2	Shroud seal weatherstrip
3	Parting seal weatherstrip (4 door) (Mazdaspeed3)
4	Hood
5	Hood hinge
6	Hood stay



am3zzw0000223