

# **Component Procedures: Oil Pump**

## **Table of Contents**

1. Parts and Labor (itype\_189)
2. Oil Pump Removal/Installation (Article 1440859)
3. Mechanical (including Torque) (itype\_28)

# Component Procedures: Oil Pump

## Parts and Labor (itype\_189)

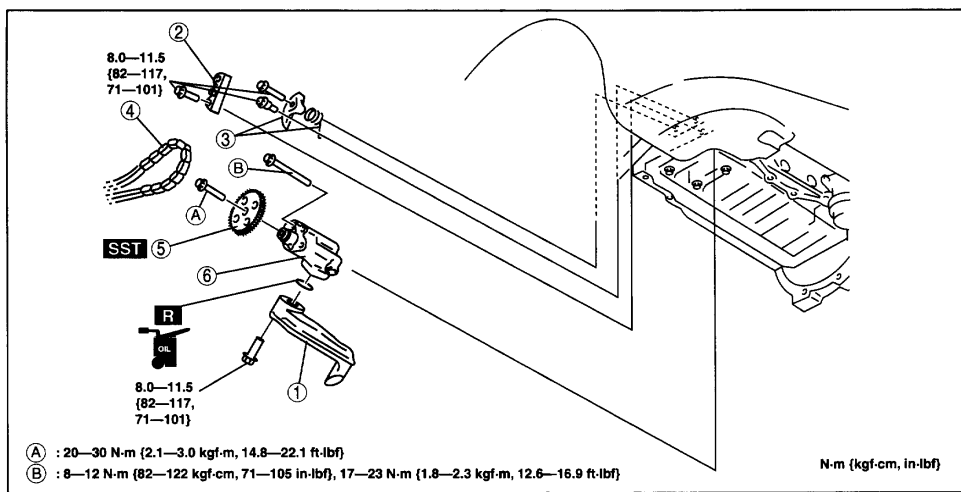
### Parts

Qualifier	Part #	Name	Price	Note
Oil Pump	L31014100J	29 - Oil Pump	340.36	
Adjuster > From 9/1/06	L50114500	36 - Adjuster	15.28	
Chain > From 9/1/06 to 3/1/09	L3G314151	34 - Chain	78.89	
Chain Guide	L32114614	35 - Chain Guide	6.49	

### Labor

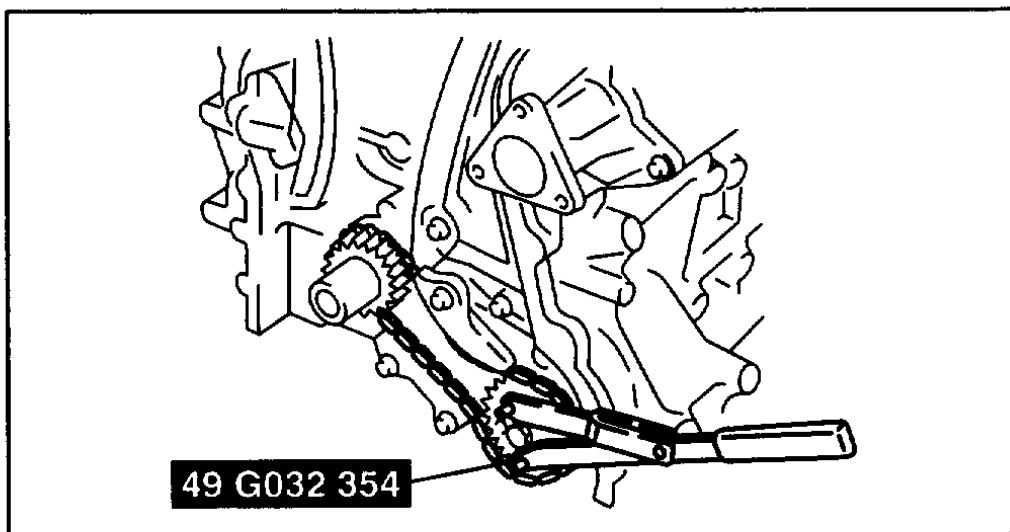
Operation	Qualifier Path	Skill	Std Hrs	Wty Hrs
Replace	Oil Pump, R&R	B	5.4	3.9

## Oil Pump Removal/Installation (Article 1440859)

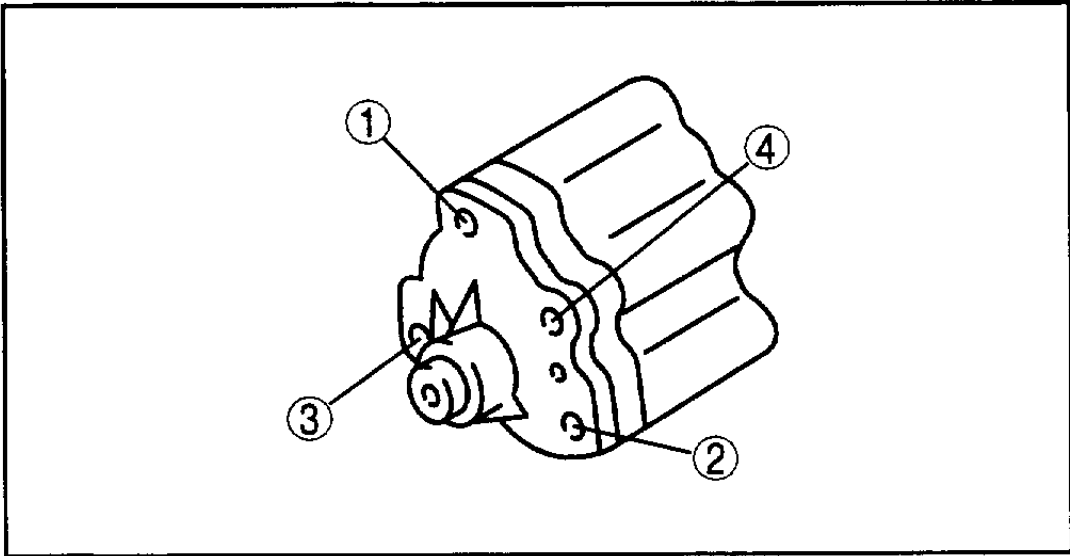


1	Oil strainer
2	Oil pump chain guide
3	Oil pump chain tensioner
4	Oil pump chain

5	Oil pump sprocket
6	Oil pump

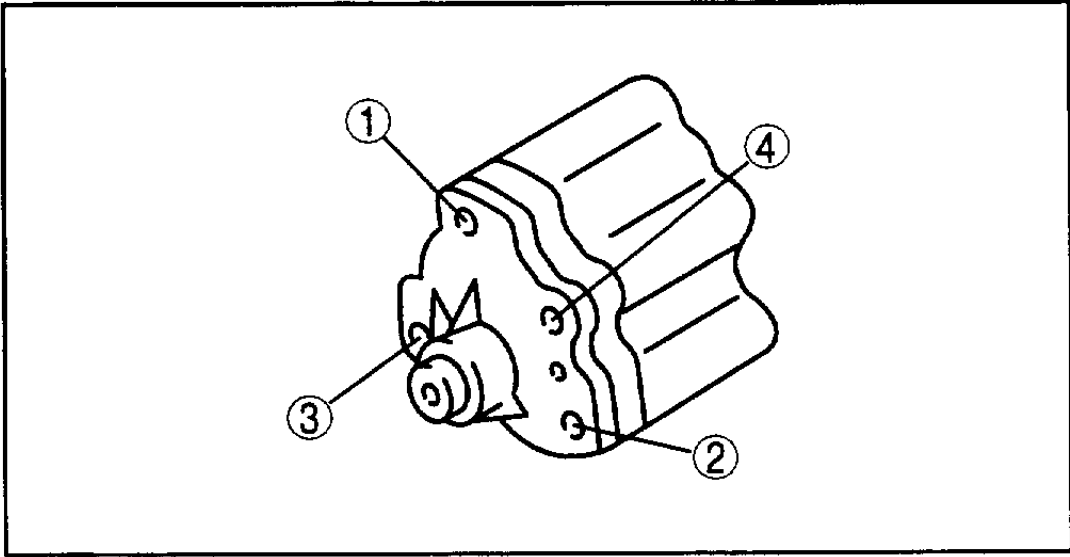


am3uuw0000108



am3uuw0000108

Mechanical (including Torque) (itype\_28)



am3uuw0000108