

Component Procedures: Front Fender

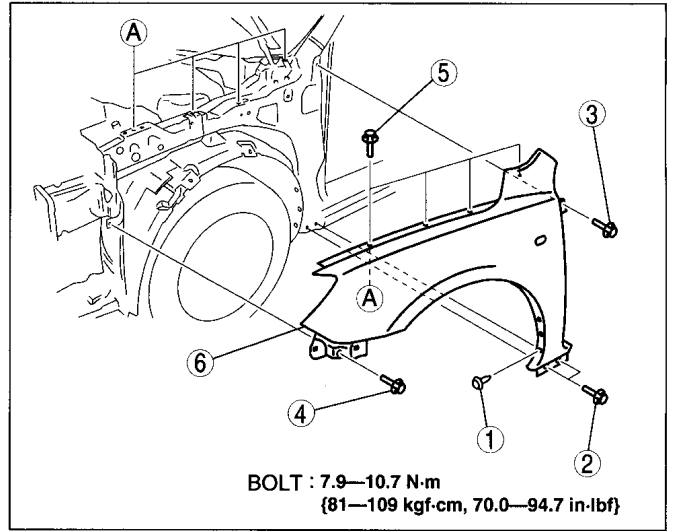
Table of Contents

1. Removal and Replacement (itype_401)
2. All Technical Service Bulletins (itype_100)
3. Repair Tips (itype_110)

Component Procedures: Front Fender

Removal and Replacement (itype_401)

1	Fastener
2	Bolt A
3	Bolt B
4	Bolt C
5	Bolt D
6	Front fender panel



am3uuw0000045

All Technical Service Bulletins (itype_100)

Tsbs

- Engine - Drive Belt Squeal After Driving Through Water (MTIP-08-09-3, 2008/09/01)

Repair Tips (itype_110)

Tsbs

- Engine - Drive Belt Squeal After Driving Through Water (MTIP-08-09-3, 2008/09/01)