

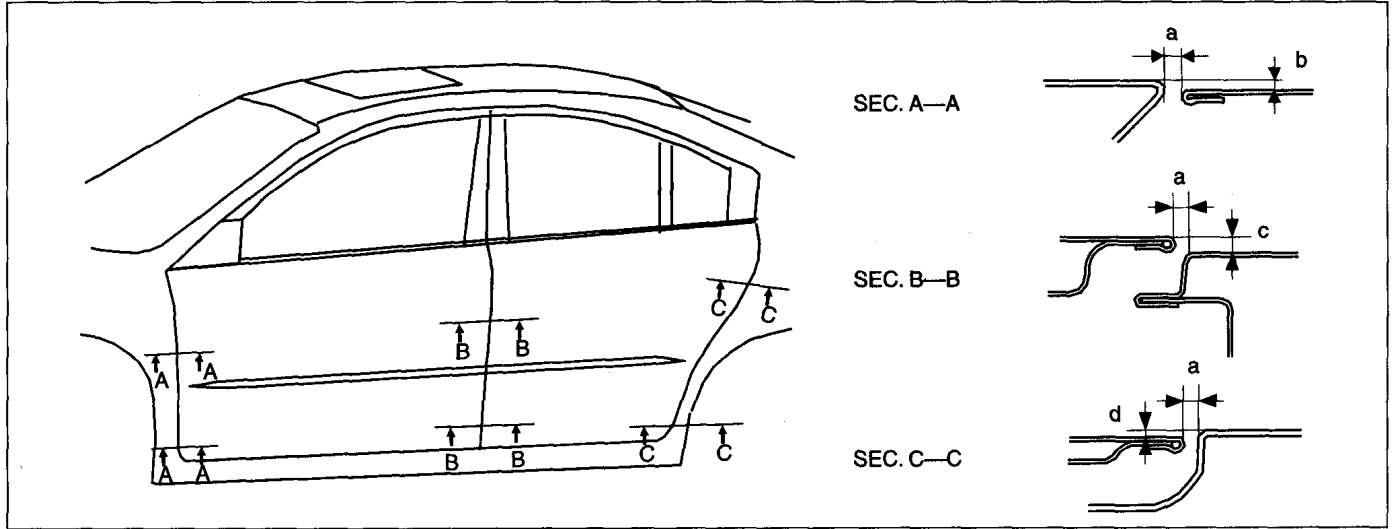
Component Procedures: Rear Door

Table of Contents

1. Adjustments (itype_5)
2. Rear Door Removal/Installation (Article 1358694)
3. Rear Door Unit Removal/Installation (Article 1448255)

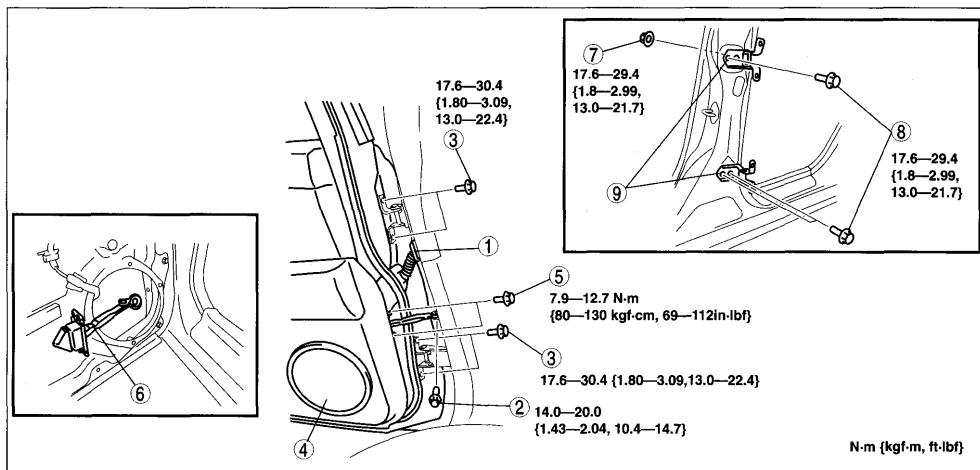
Component Procedures: Rear Door

Adjustments (itype_5)



c3u0911w002

Rear Door Removal/Installation (Article 1358694)

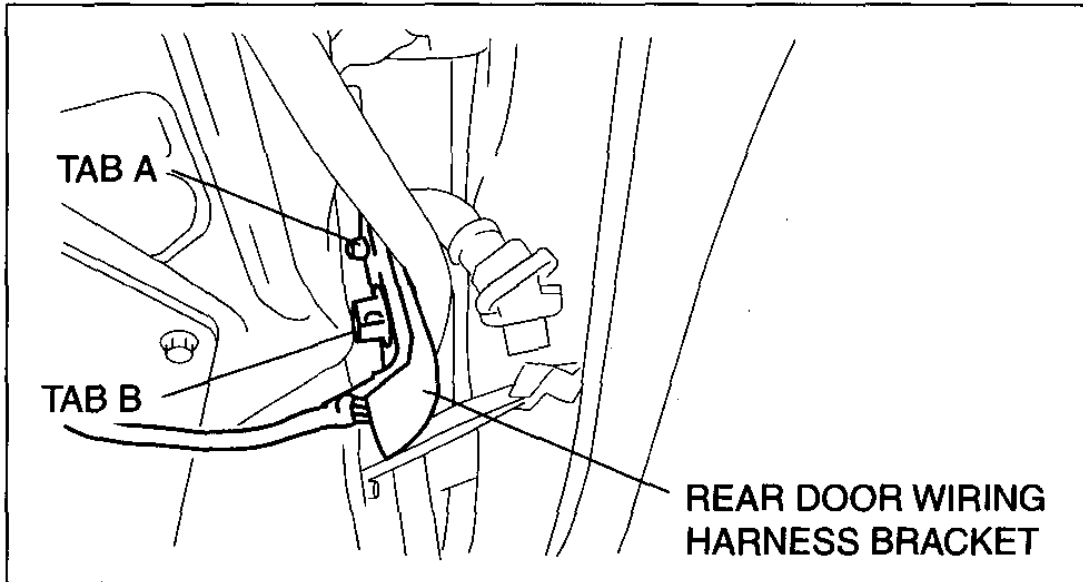


b3e0911w004

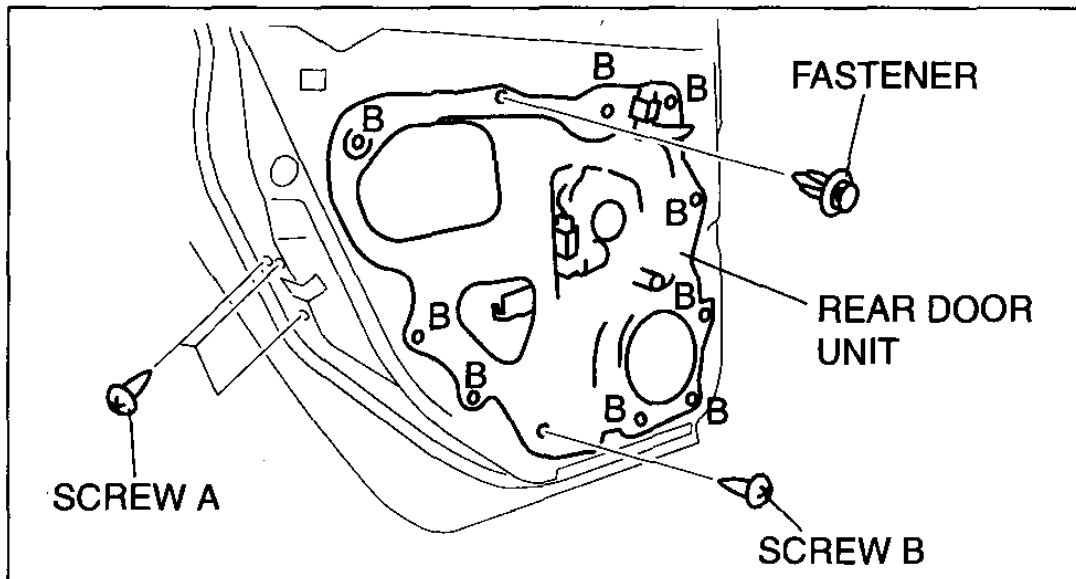
| | |
|---|-----------|
| 1 | Connector |
| 2 | Bolt A |
| 3 | Bolt B |
| 4 | Rear door |
| 5 | Bolt C |

| | |
|---|-----------------|
| 6 | Checker |
| 7 | Nut |
| 8 | Bolt D |
| 9 | Rear door hinge |

Rear Door Unit Removal/Installation (Article 1448255)



am3uuw0000046



am3uuw0000047