

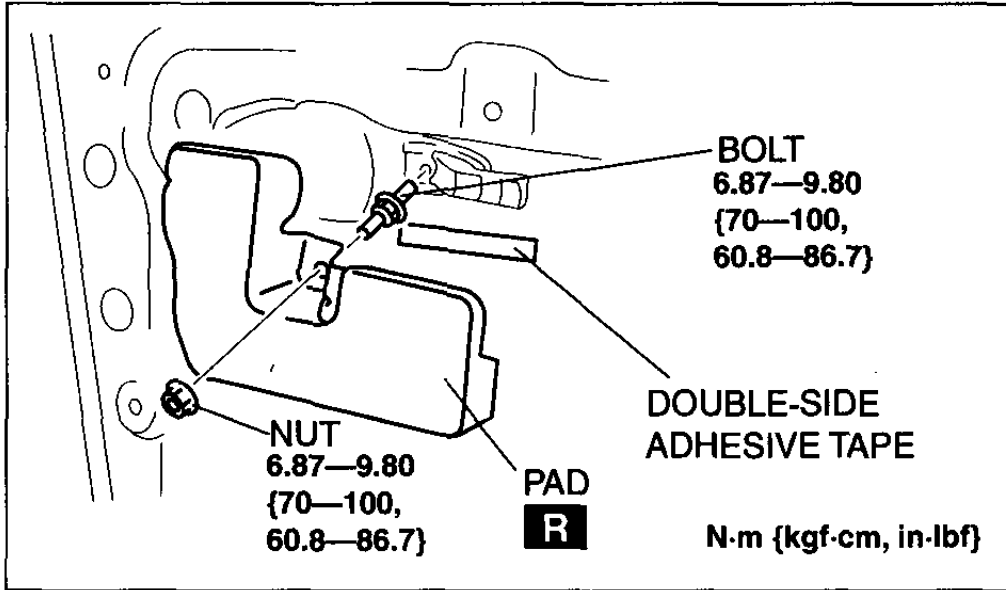
Component Procedures: Front Door Exterior Handle

Table of Contents

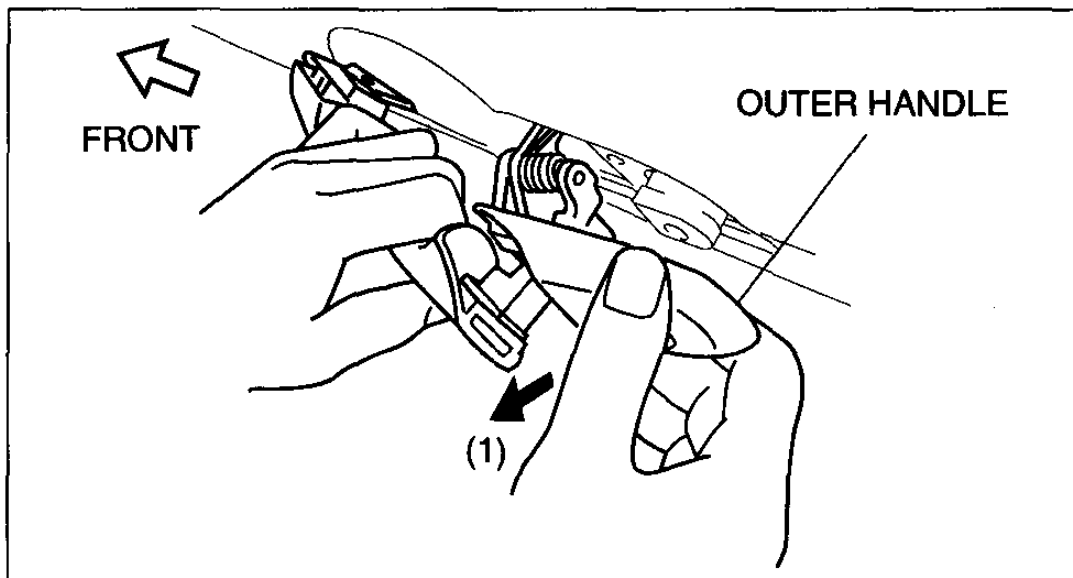
1. Removal and Replacement (itype_401)

Component Procedures: Front Door Exterior Handle

Removal and Replacement (itype_401)



B3E0914W040



A6E7714W005