

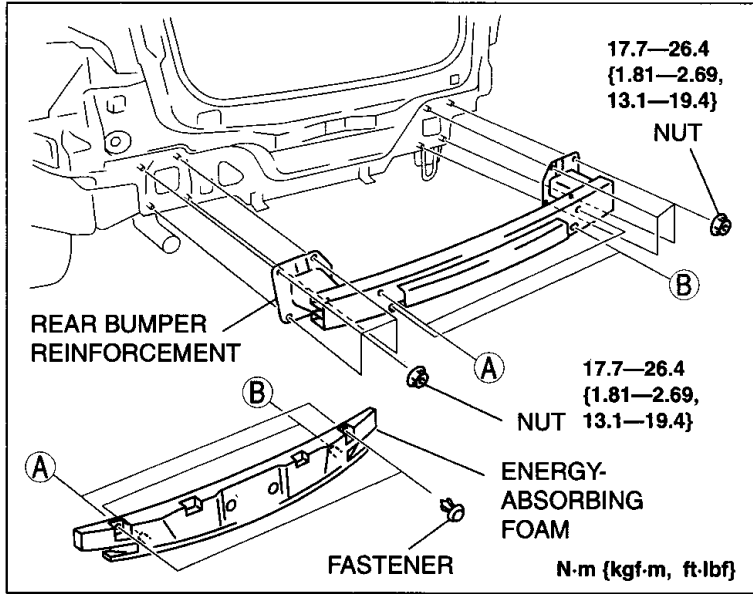
Component Procedures: Rear Bumper Reinforcement

Table of Contents

1. Removal and Replacement (itype_401)

Component Procedures: Rear Bumper Reinforcement

Removal and Replacement (itype_401)



c3u0910w122