

Component Procedures: Sunroof / Moonroof Motor

Table of Contents

1. Parts and Labor (itype_189)
2. Components (itype_32)
3. Removal and Replacement (itype_401)
4. Component Tests and General Diagnostics (itype_383)

Component Procedures: Sunroof / Moonroof Motor

Parts and Labor (itype_189)

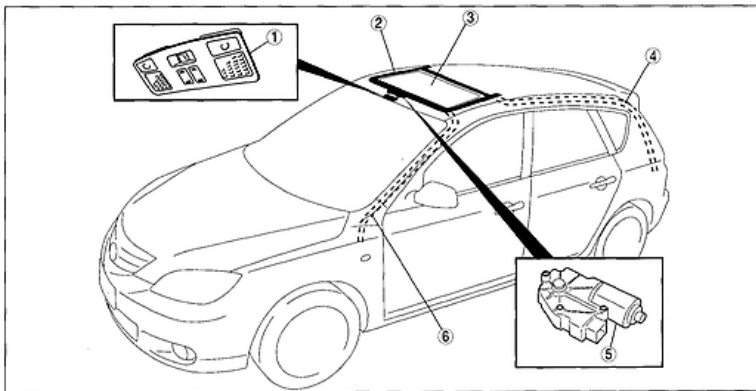
Parts

Qualifier	Part #	Name	Price	Note
Motor	BP4M69870	Motor	683.61	

Labor

Operation	Qualifier Path	Skill	Std Hrs	Wty Hrs
Replace	Motor, R&R	B	2.2	1.6

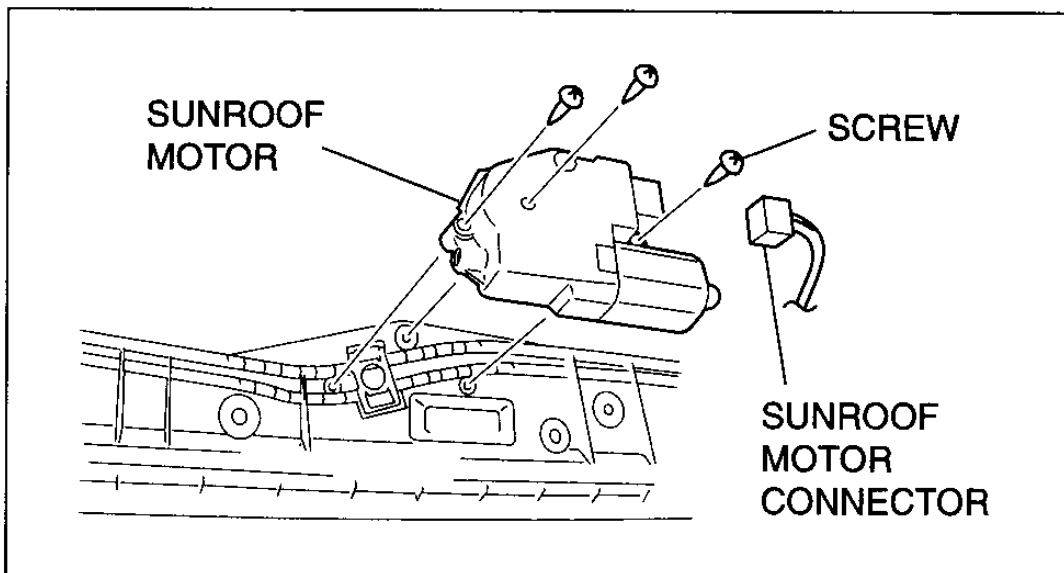
Components (itype_32)



1	Sunroof switch
2	Sunroof unit
3	Glass panel

4	Rear drain hose
5	Sunroof motor
6	Front drain hose

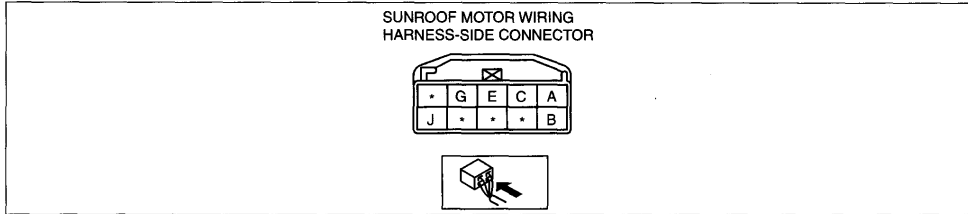
Removal and Replacement (itype_401)



am3uuw0000083

Component Tests and General Diagnostics (itype_383)

Terminal voltage table (Reference)



B3E0915W110

Terminal	Signal	Connected to	Test condition	Voltage (V)/ Continuity	Inspection Item
A	Slide open	Sunroof switch	Sunroof is fully opening.	B+	Sunroof switch
			Other	0	
B	Slide close/tilt down	Sunroof switch	Sunroof is closing/tilting down.	B+	Sunroof switch
			Other	0	
C	Tilt up	Sunroof switch	Sunroof is tilting up.	B+	Sunroof switch
			Other	0	
E	IG2	SUNROOF 15 A fuse	Turn the ignition switch to the ON position.	B+	SUNROOF 15 A fuse
G	GND	GND	Under any condition: Check for continuity to ground.	Continuity	GND
J	Power supply	SUNROOF 7.5 A fuse	Under any condition	B+	SUNROOF 7.5 A fuse