

# **Component Procedures: Front Bumper Reinforcement**

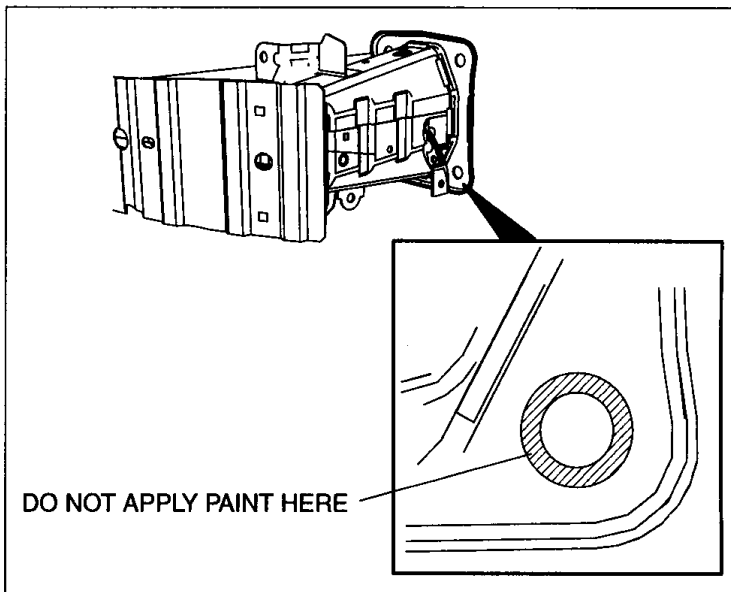
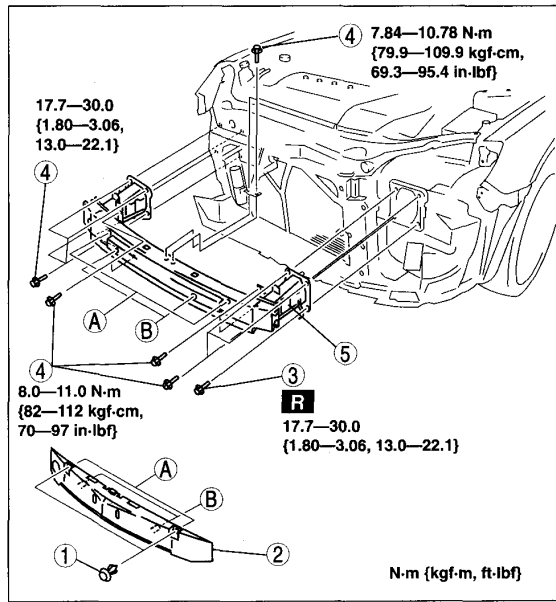
## **Table of Contents**

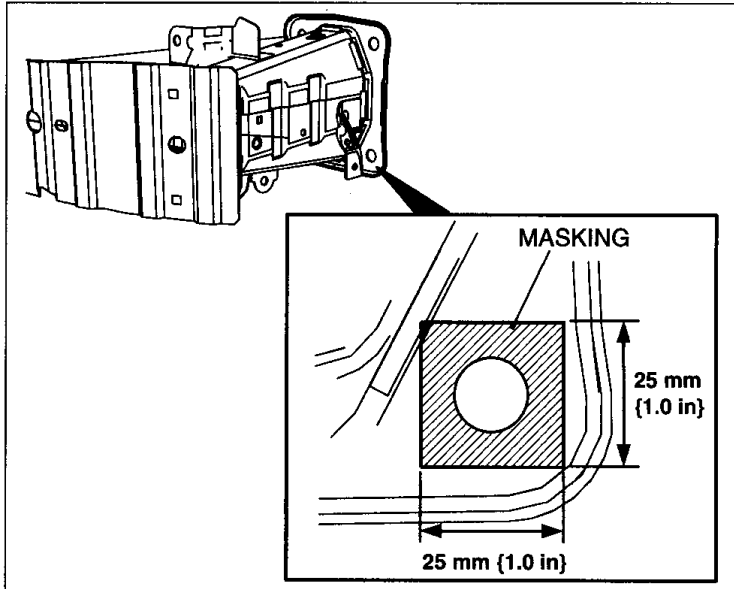
1. Removal and Replacement (itype\_401)

# Component Procedures: Front Bumper Reinforcement

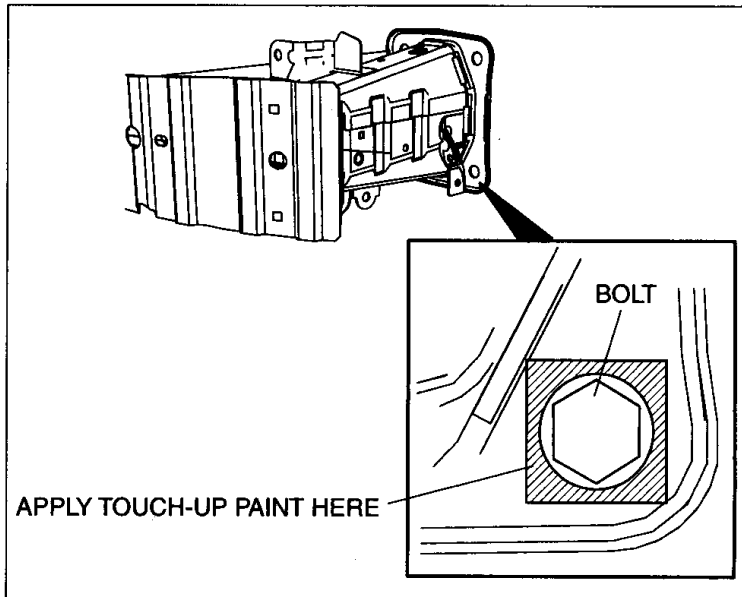
## Removal and Replacement (itype\_401)

1	Fastener
2	Energy-absorbing foam
3	Bolt A
4	Bolt B
5	Front bumper reinforcement





am3uuw000045



am3uuw000045