

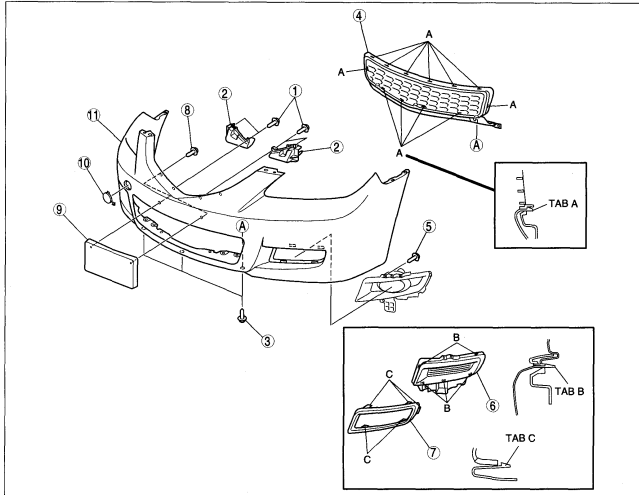
Component Procedures: Front Bumper

Table of Contents

1. Overhaul (itype_402)
2. Removal and Replacement (itype_401)
3. All Technical Service Bulletins (itype_100)
4. New / Updated Parts (itype_117)

Component Procedures: Front Bumper

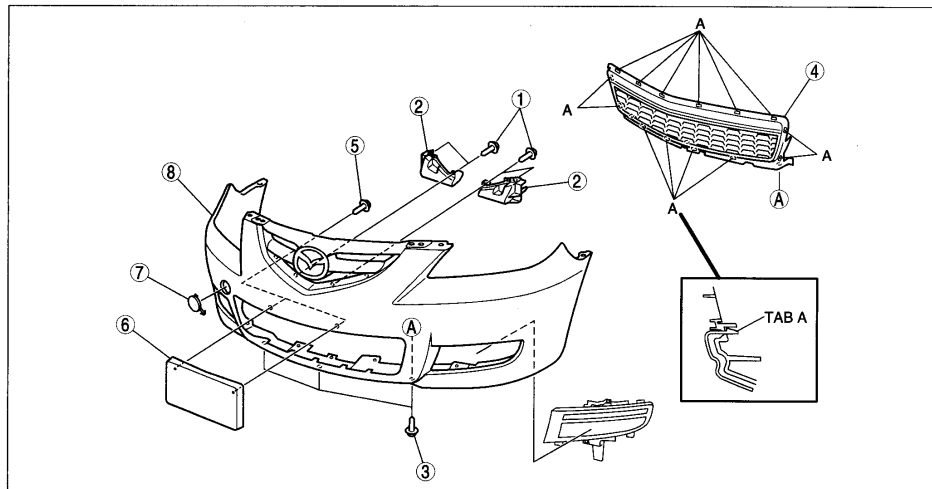
Overhaul (itype_402)



am3uuw0000044

| | |
|---|--|
| 1 | Screw A |
| 2 | Set plate |
| 3 | Screw B |
| 4 | Front bumper mesh |
| 5 | Screw C |
| 6 | Front fog light hole cover A (vehicles without the front fog lights) |

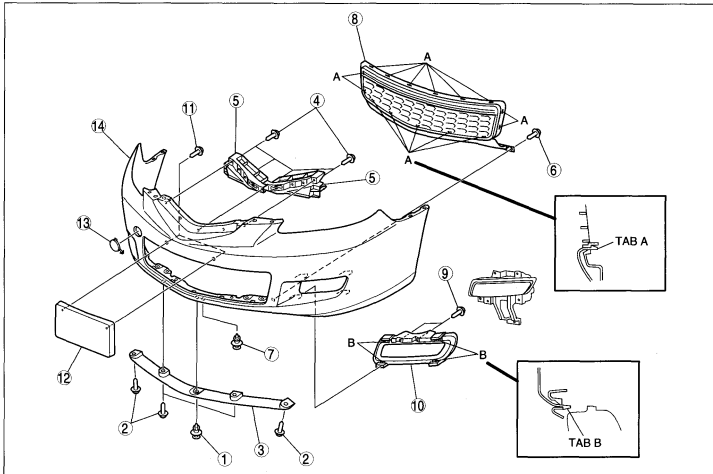
| | |
|----|---|
| 7 | Front fog light hole cover B (vehicles with the front fog lights) |
| 8 | Screw D |
| 9 | License plate holder |
| 10 | Towing hook cover |
| 11 | Front bumper fascia |



am3uuw0000044

| | |
|---|-------------------|
| 1 | Screw A |
| 2 | Set plate |
| 3 | Screw B |
| 4 | Front bumper mesh |

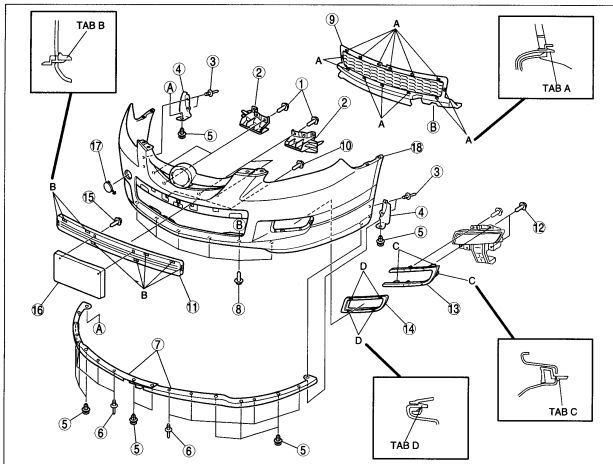
| | |
|---|----------------------|
| 5 | Screw C |
| 6 | License plate holder |
| 7 | Towing hook cover |
| 8 | Front bumper fascia |



am3u1w0000127

| | |
|---|--------------|
| 1 | Fastener A |
| 2 | Screw A |
| 3 | Airdam skirt |
| 4 | Screw B |
| 5 | Set plate |
| 6 | Screw C |
| 7 | Fastener B |

| | |
|----|----------------------------|
| 8 | Front bumper mesh |
| 9 | Screw D |
| 10 | Front fog light hole cover |
| 11 | Screw E |
| 12 | License plate holder |
| 13 | Towing hook cover |
| 14 | Front bumper fascia |

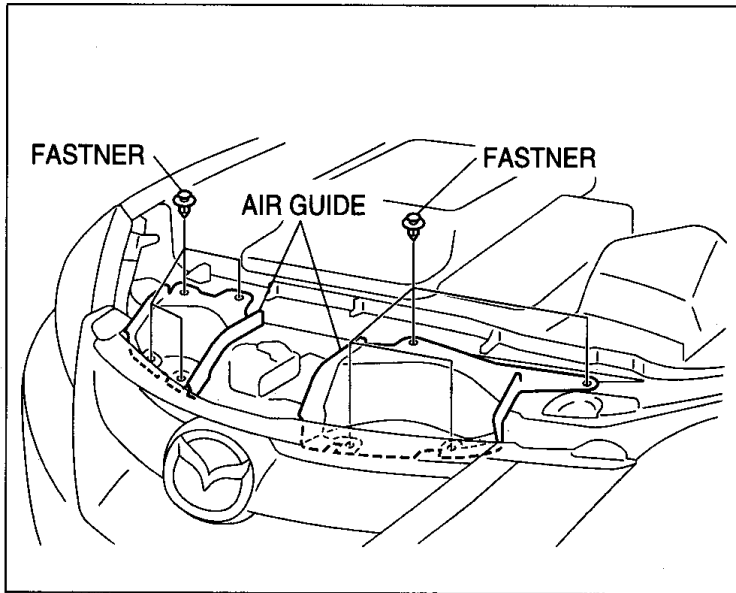


am3u1w0000044

| | |
|---|------------------------|
| 1 | Screw A |
| 2 | Set plate |
| 3 | Rivet A |
| 4 | Front bumper deflector |
| 5 | Fastener |
| 6 | Rivet B |
| 7 | Airdam skirt |
| 8 | Screw B |
| 9 | Front bumper mesh |

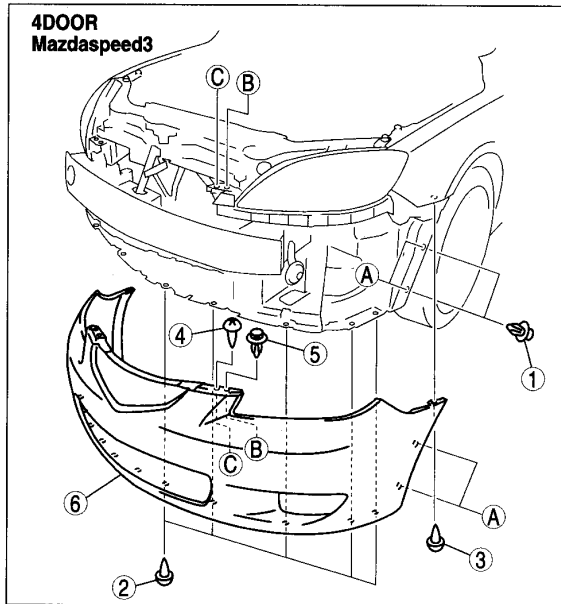
| | |
|----|------------------------------|
| 10 | Screw C |
| 11 | Front bumper protector |
| 12 | Screw D |
| 13 | Front fog light hole cover A |
| 14 | Front fog light hole cover B |
| 15 | Screw E |
| 16 | License plate holder |
| 17 | Towing hook cover |
| 18 | Front bumper fascia |

Removal and Replacement (itype_401)



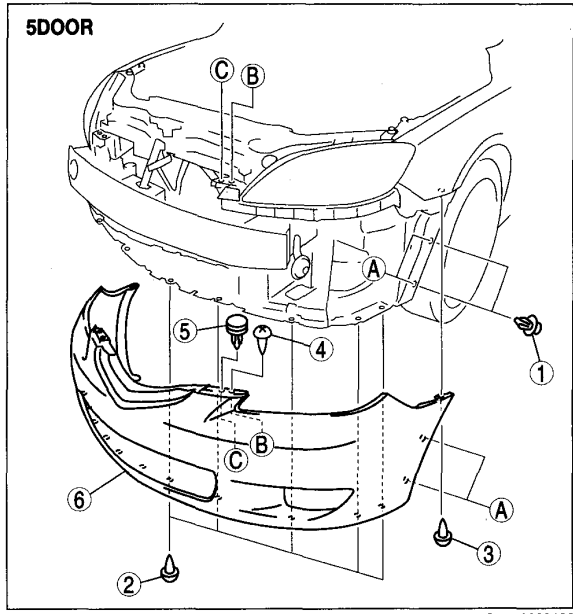
am3uuw000044

| | |
|---|--------------|
| 1 | Fastener A |
| 2 | Screw A |
| 3 | Screw B |
| 4 | Screw C |
| 5 | Fastener B |
| 6 | Front bumper |

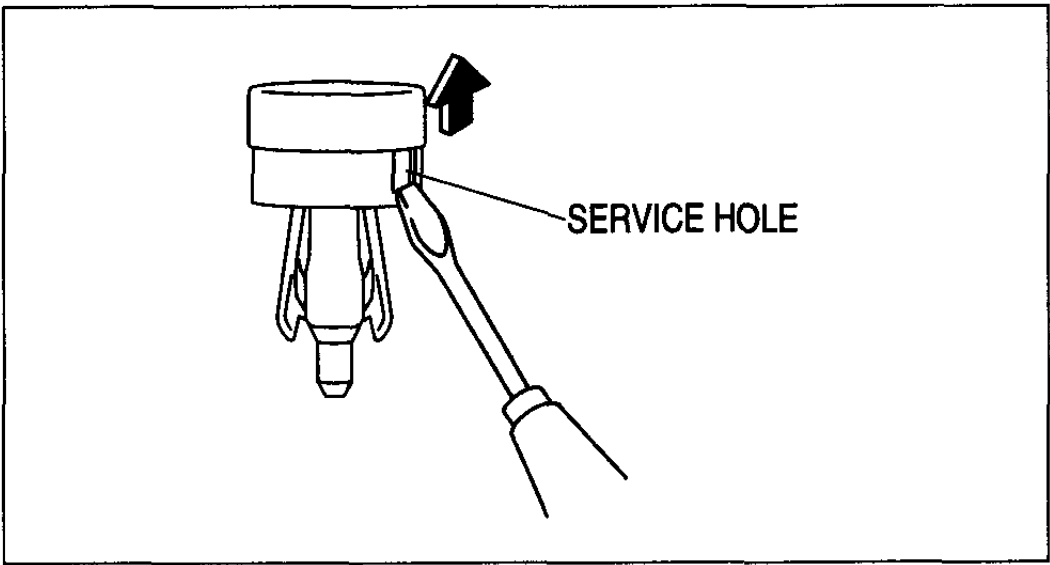


am3uuw0000102

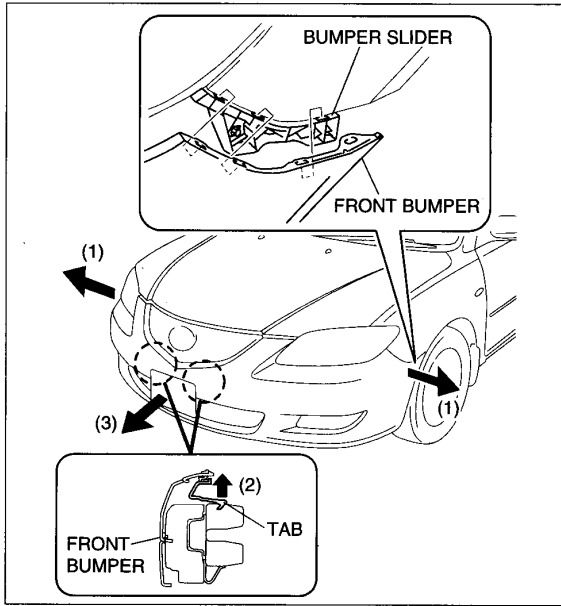
| | |
|---|--------------|
| 1 | Fastener A |
| 2 | Screw A |
| 3 | Screw B |
| 4 | Screw C |
| 5 | Fastener B |
| 6 | Front bumper |



am3uuw0000102



am3zzw0000221



All Technical Service Bulletins (itype_100)

Tsbs

- Body - Service Bumper Specification Change (0902209, 2009/04/06)

New / Updated Parts (itype_117)

Tsbs

- Body - Service Bumper Specification Change (0902209, 2009/04/06)