

# **Component Procedures: Water Pump**

## **Table of Contents**

1. Parts and Labor (itype\_189)
2. Water Pump Removal/Installation (Article 1421816)
3. Mechanical (including Torque) (itype\_28)
4. All Technical Service Bulletins (itype\_100)
5. Leaks (itype\_149)

# Component Procedures: Water Pump

## Parts and Labor (itype\_189)

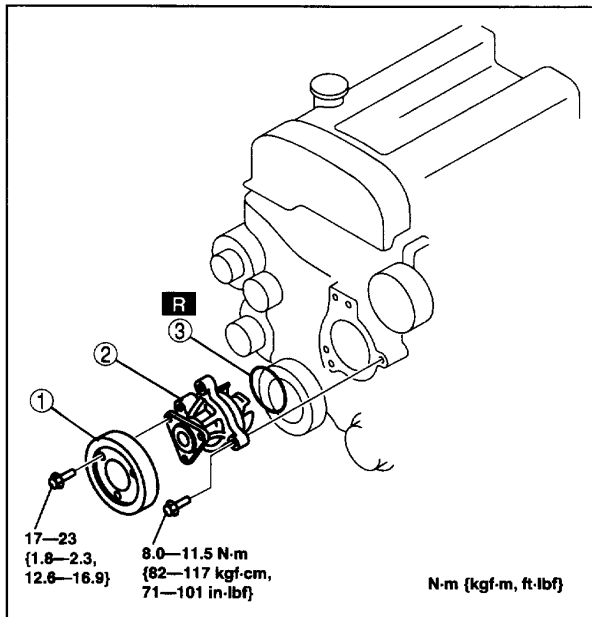
### Parts

Qualifier	Part #	Name	Price	Note
Water Pump	LF9415100A	8 - Water Pump	181.32	Includes: Gasket.

### Labor

Operation	Qualifier Path	Skill	Std Hrs	Wty Hrs
Replace	Water Pump, R&R	B	1.6	1.1

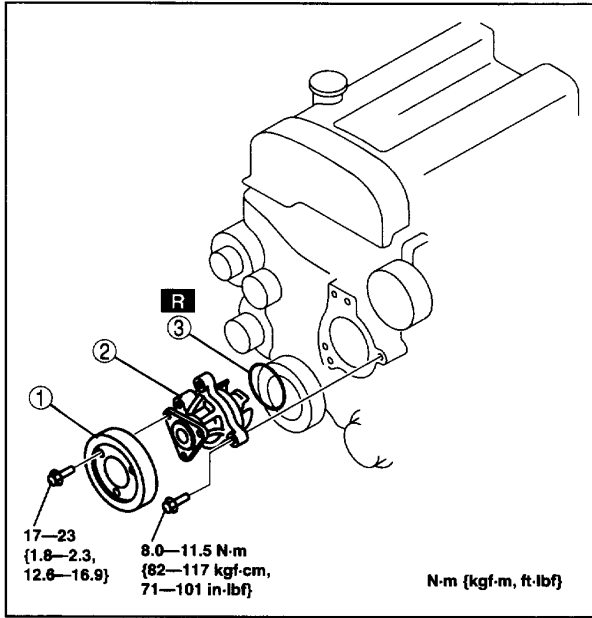
## Water Pump Removal/Installation (Article 1421816)



B3E0112W015

1	Water pump pulley
2	Water pump
3	O-ring

## Mechanical (including Torque) (itype\_28)



B3E0112W015

1	Water pump pulley
2	Water pump
3	O-ring

**All Technical Service Bulletins (itype\_100)**

Tsbs

- WATER PUMP COOLANT LEAK (01-022/19, 2019/12/13)

**Leaks (itype\_149)**

Tsbs

- WATER PUMP COOLANT LEAK (01-022/19, 2019/12/13)