

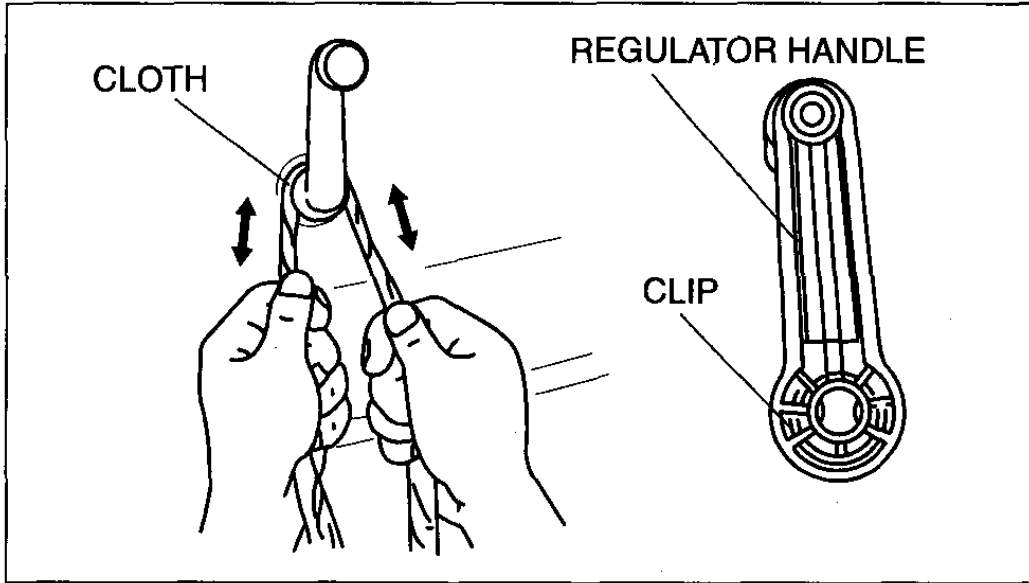
Component Procedures: Window Handle

Table of Contents

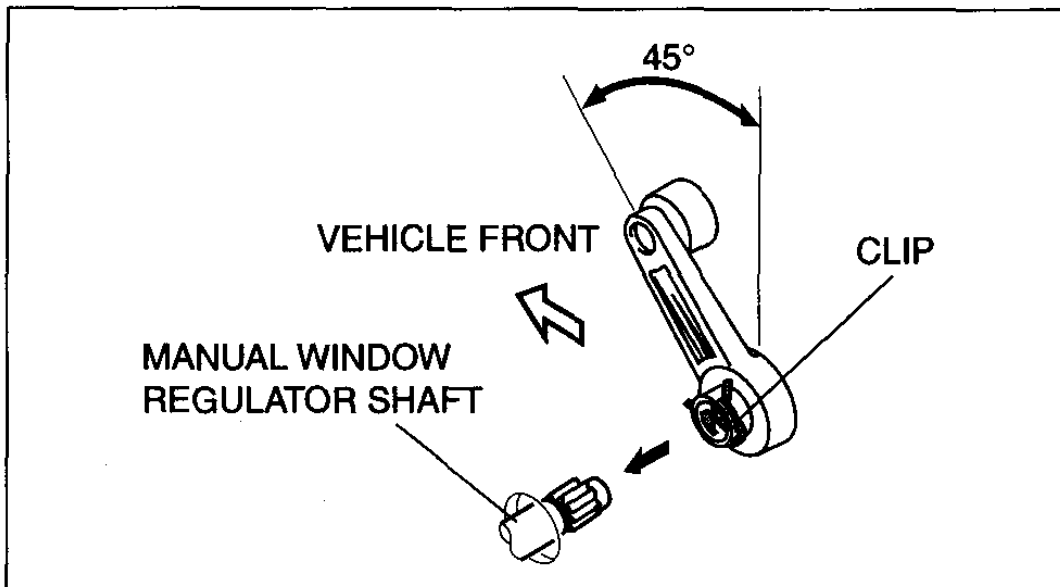
1. Removal and Replacement (itype_401)

Component Procedures: Window Handle

Removal and Replacement (itype_401)



B3E0912W221



B3E0912W330