

Component Procedures: Mirrors

Table of Contents

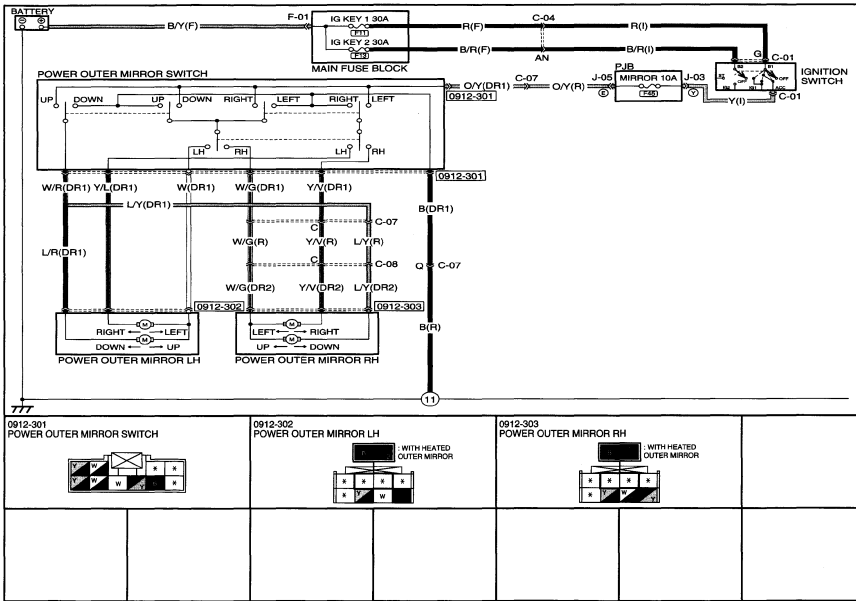
1. Electrical (OE) (itype_21)
2. Mirrors (Article 11758)
3. Components (itype_32)
4. Overhaul (itype_402)
5. Power Outer Mirror Removal/Installation (Article 1359282)
6. Outer Mirror Garnish Installation (Article 1359460)
7. Rearview Mirror Removal/Installation (Article 1361818)
8. All Technical Service Bulletins (itype_100)
9. Repair Tips (itype_110)
10. Component Tests and General Diagnostics (itype_383)

Component Procedures: Mirrors

Electrical (OE) (itype_21)

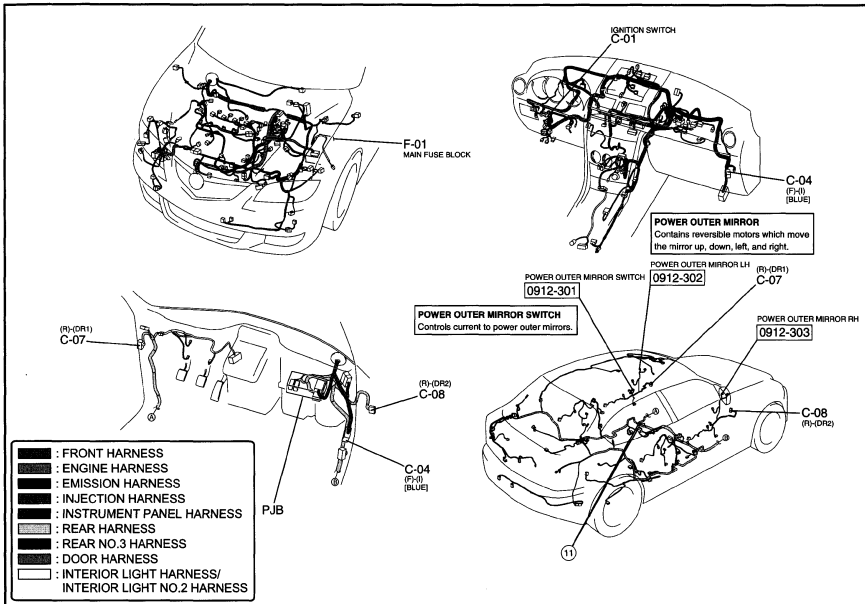
POWER OUTER MIRROR

0912-3



POWER OUTER MIRROR

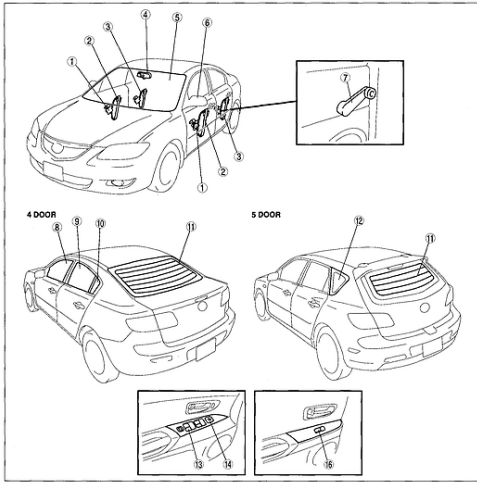
0912-3



Mirrors (Article 11758)

Mirrors
Page 1 of 1

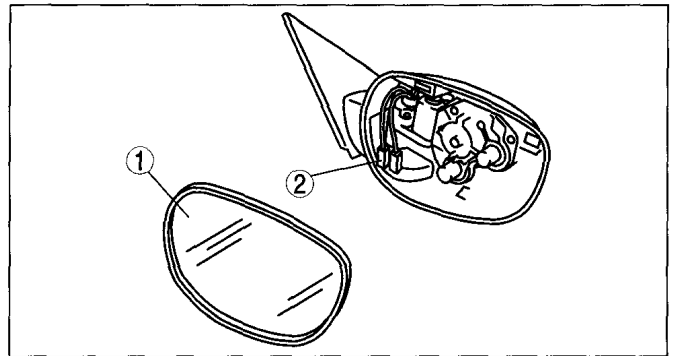
Components (itype_32)



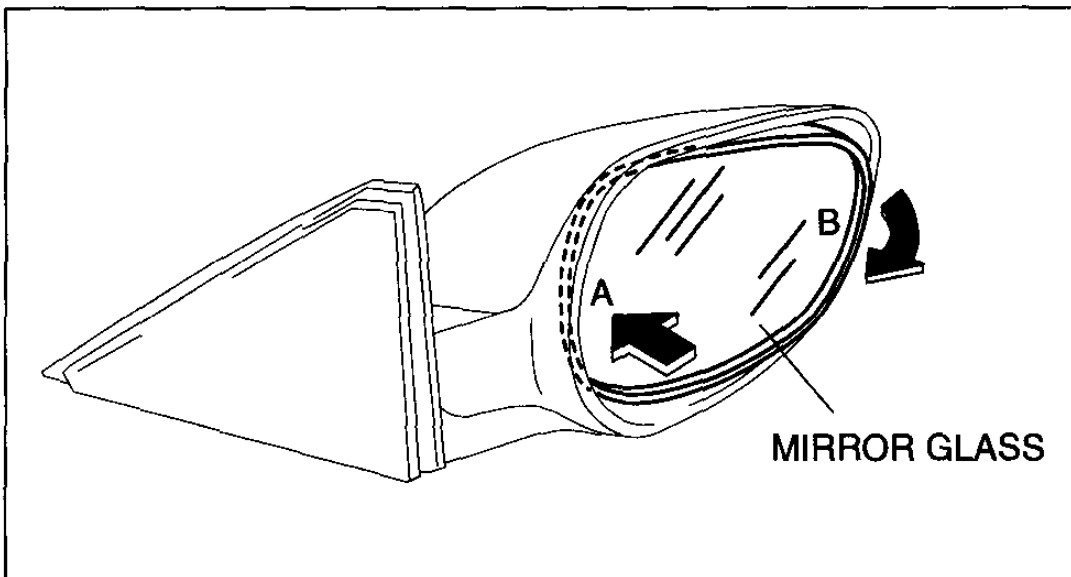
1	Power window motor	6	Power outer mirror
2	Power window regulator	7	Regulator handle
3	Heater window regulator	8	Left door glass
4	Rearview mirror	9	Rear door glass
5	Windshield	10	Rear door quarter glass
		11	Rear window glass
		12	Quarter window glass
		13	Power window retain switch
		14	Power outer mirror switches
		15	Power window subswitch

Overhaul (itype_402)

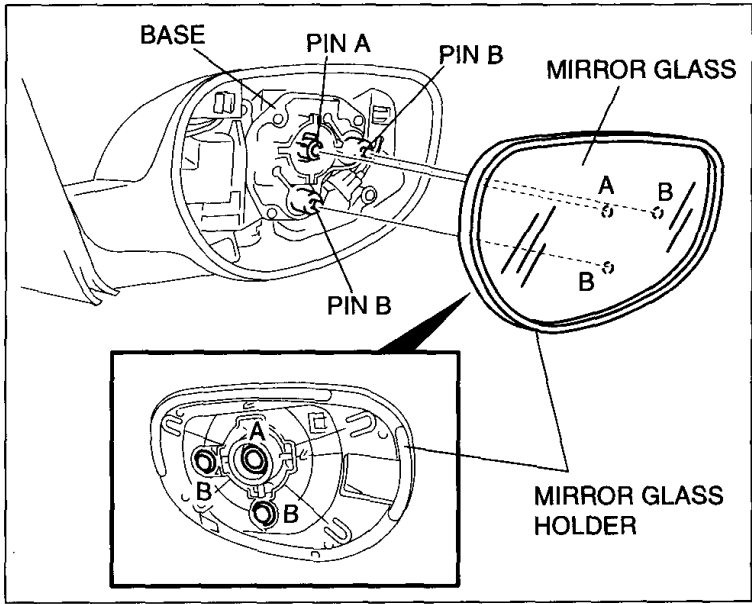
1	Outer mirror glass
2	Connector (Vehicles with heated outer mirrors)



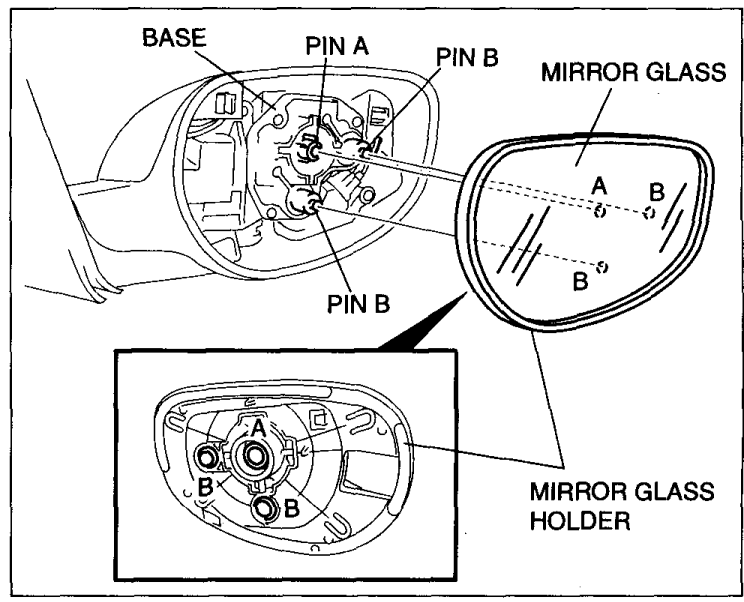
am3uuw000082



am3uuw000082

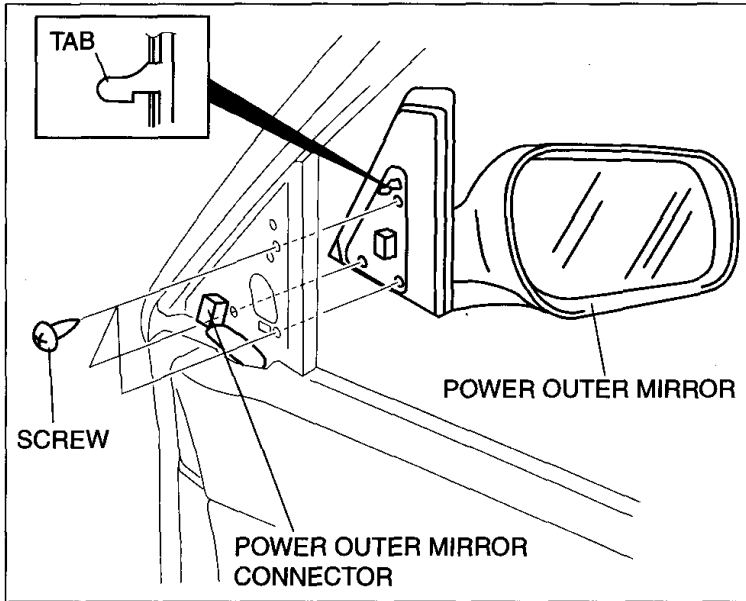


am3uuw000082



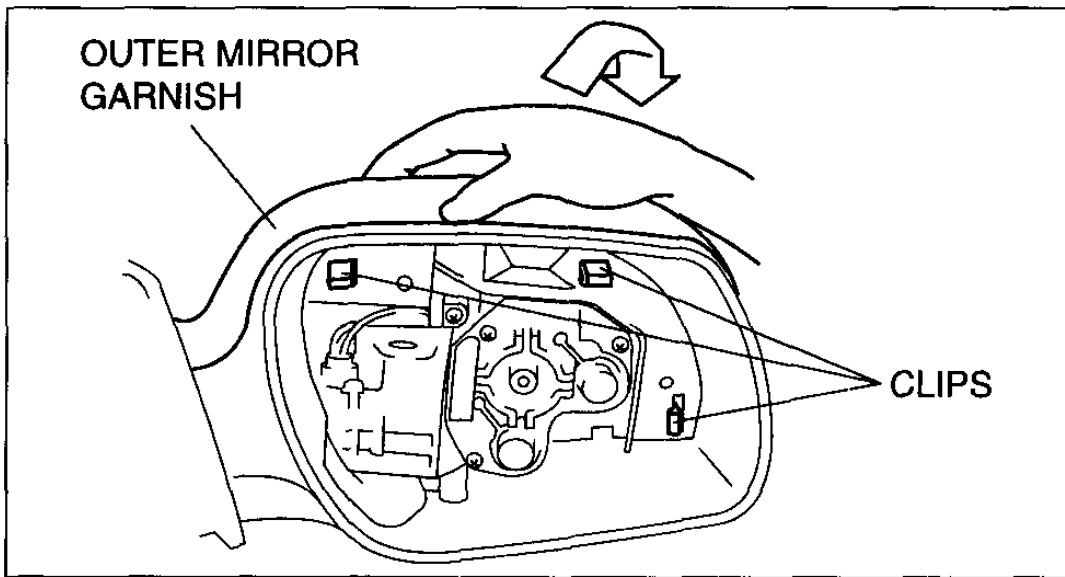
am3uuw000082

Power Outer Mirror Removal/Installation (Article 1359282)

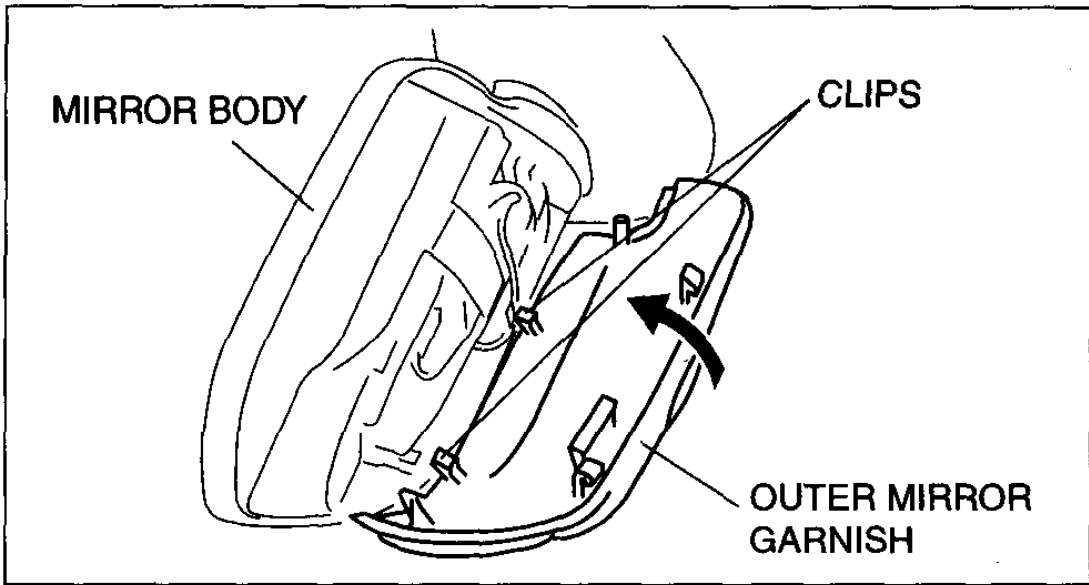


B3E0912WR01

Outer Mirror Garnish Installation (Article 1359460)

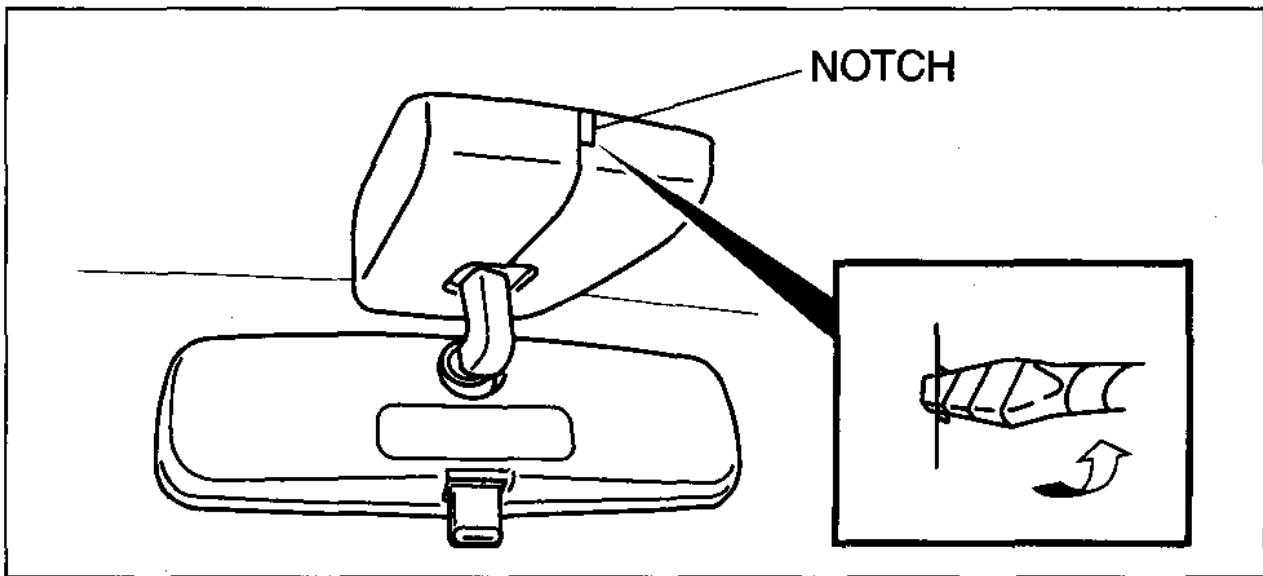


c3u912zw5si1

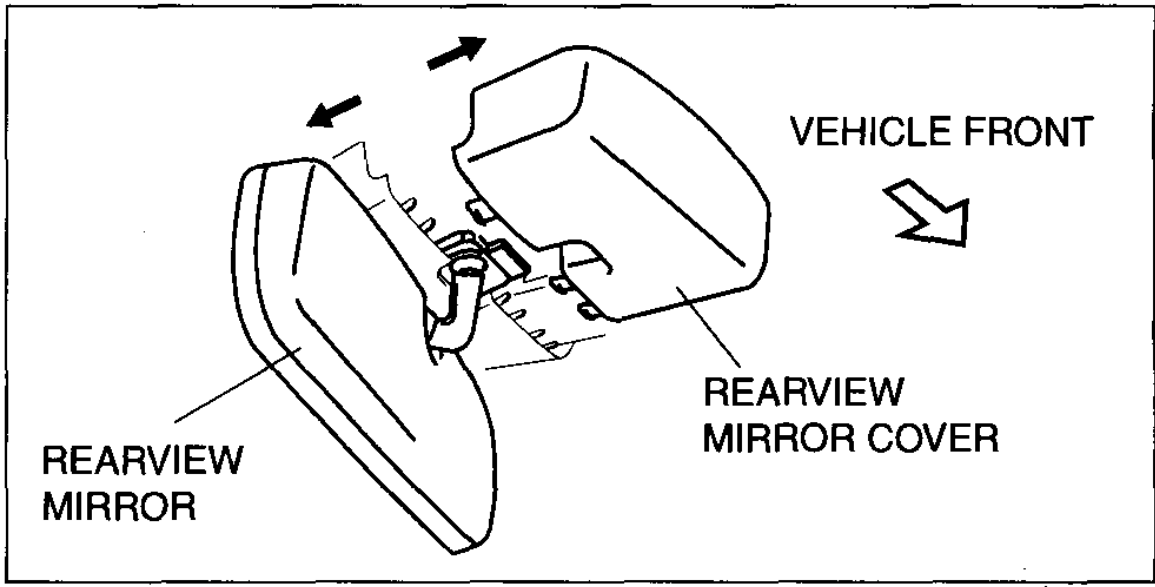


c3u912zw5si2

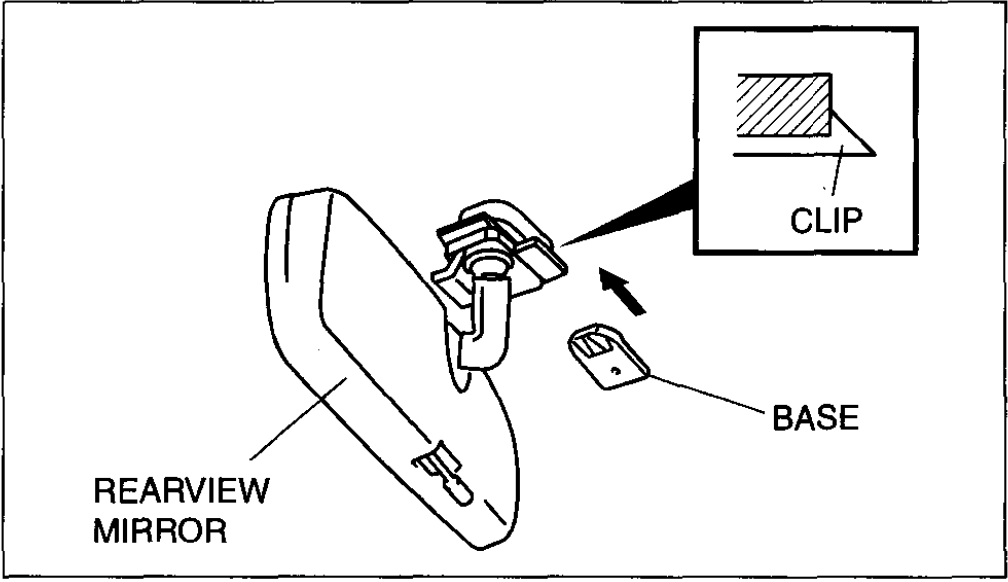
Rearview Mirror Removal/Installation (Article 1361818)



B3E0912W333



am3uuw0000138



am3uuw0000138

All Technical Service Bulletins (itype_100)

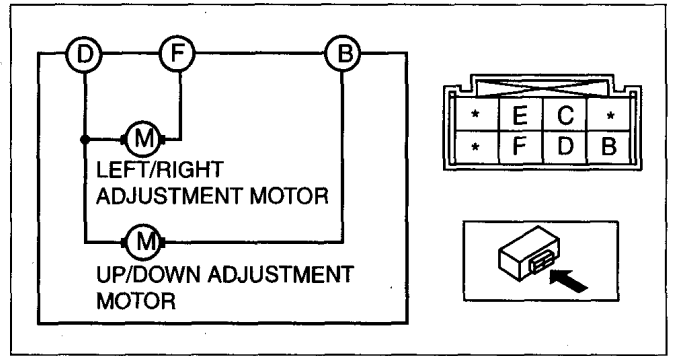
- Tsbs
- Mirrors - Interior Mirror Removal (MTIP-07-12-3, 2007/12/01)
 - Mirrors - Door Mirror Glass Is Loose (MTIP-08-07-5, 2008/05/01)

Repair Tips (itype_110)

- Tsbs
- Mirrors - Interior Mirror Removal (MTIP-07-12-3, 2007/12/01)
 - Mirrors - Door Mirror Glass Is Loose (MTIP-08-07-5, 2008/05/01)

Component Tests and General Diagnostics (itype_383)

Mirror operation	Terminal	
	B+	GND
Up	B	D
Down	D	B
Left	F	D
Right	D	F

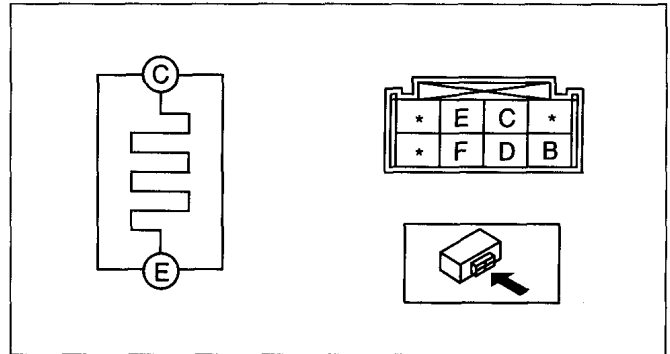


B3E0912WR05

○—○ : Continuity

Mirror operation	Terminal	
	C	E
Heater	○	○

A6E7732W010



B3E0912WR06