

# **Component Procedures: Tail Lamp**

## **Table of Contents**

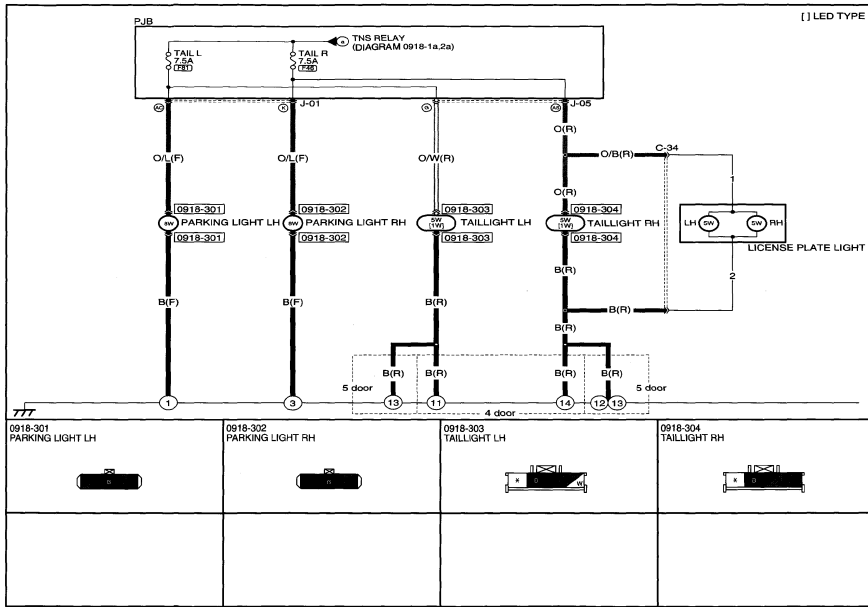
1. Electrical (OE) (itype\_21)
2. Rear Combination Light (Article 1461492)
3. Inboard Light (Article 1461495)
4. All Technical Service Bulletins (itype\_100)
5. Customer Interest Bulletins (itype\_109)
6. Out of specification (itype\_158)
7. New / Updated Parts (itype\_117)

# Component Procedures: Tail Lamp

## Electrical (OE) (itype\_21)

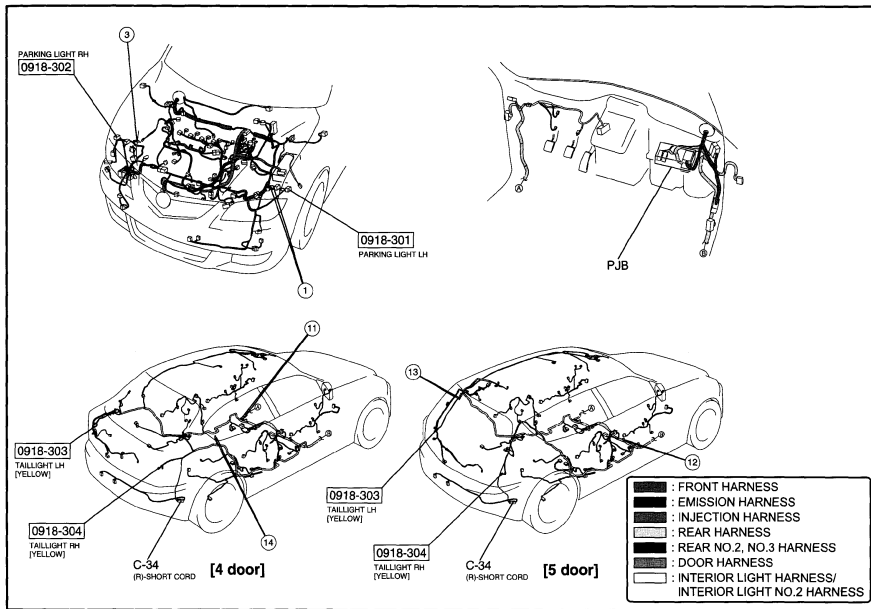
LICENSE PLATE LIGHT/PARKING LIGHT/TAILLIGHT

0918-3



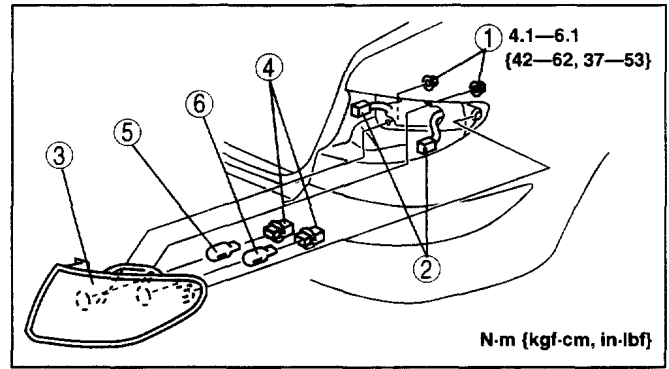
LICENSE PLATE LIGHT/PARKING LIGHT/TAILLIGHT

0918-3



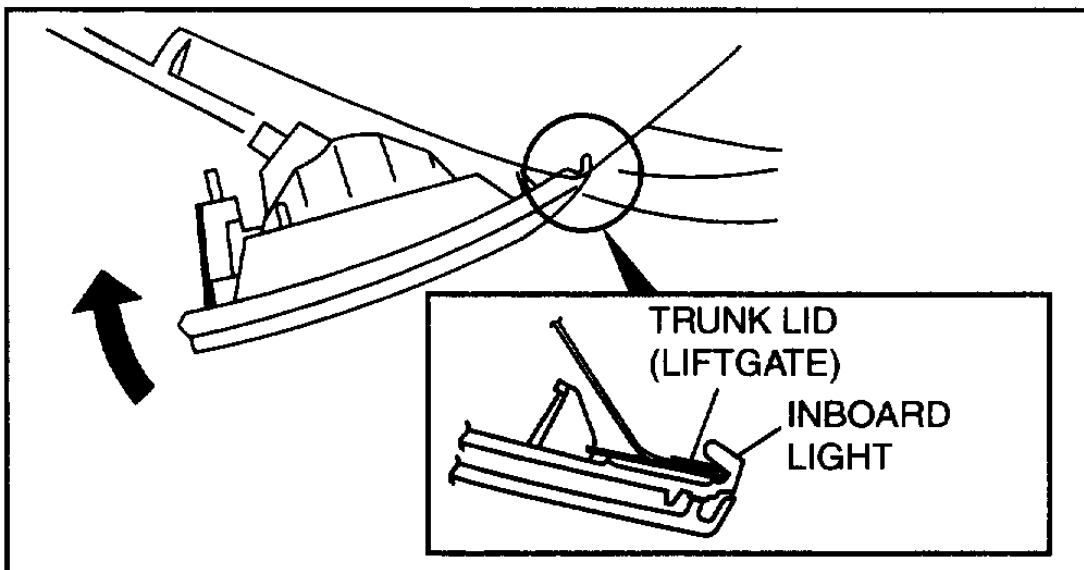
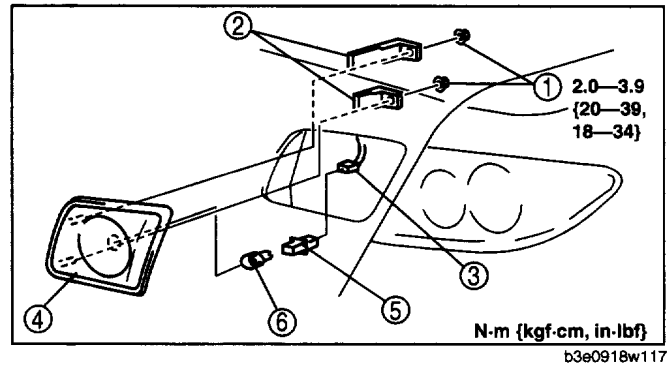
## Rear Combination Light (Article 1461492)

1	Nut
2	Connector
3	Rear combination light
4	Socket
5	Rear turn light bulb
6	Brake light/taillight bulb

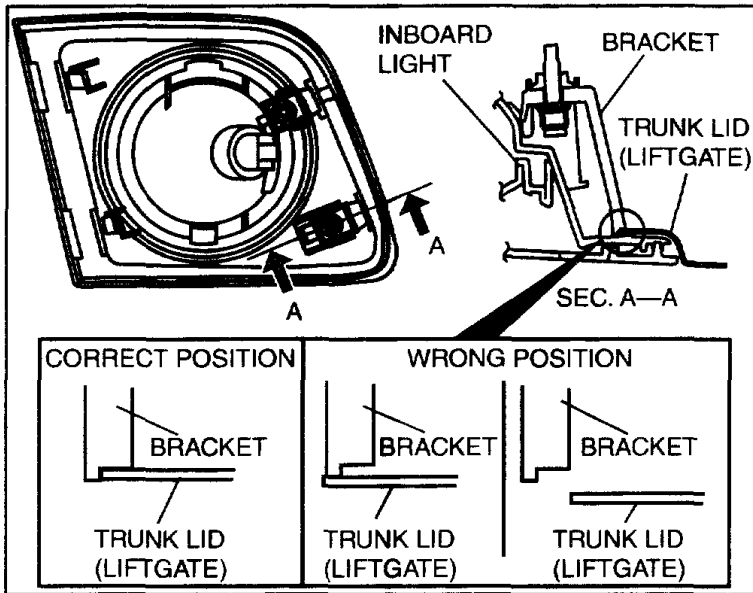


### Inboard Light (Article 1461495)

1	Nut
2	Bracket
3	Connector
4	Inboard light
5	Socket
6	Back-up light bulb



am3uuw0000083



b3e0918w119

**All Technical Service Bulletins (itype\_100)**

Tsbs

- Lighting - Water In Tail Lamp After A Rain (0901210, 2010/02/19)
- CONDENSATION / FOG IN FRONT AND REAR COMBINATION LAMPS (HEADLAMP AND TAILLAMP ASSEMBLIES) (09-003/19, 2019/03/15)

**Customer Interest Bulletins (itype\_109)**

Tsbs

- Lighting - Water In Tail Lamp After A Rain (0901210, 2010/02/19)

**Out of specification (itype\_158)**

Tsbs

- CONDENSATION / FOG IN FRONT AND REAR COMBINATION LAMPS (HEADLAMP AND TAILLAMP ASSEMBLIES) (09-003/19, 2019/03/15)

**New / Updated Parts (itype\_117)**

Tsbs

- Lighting - Water In Tail Lamp After A Rain (0901210, 2010/02/19)