

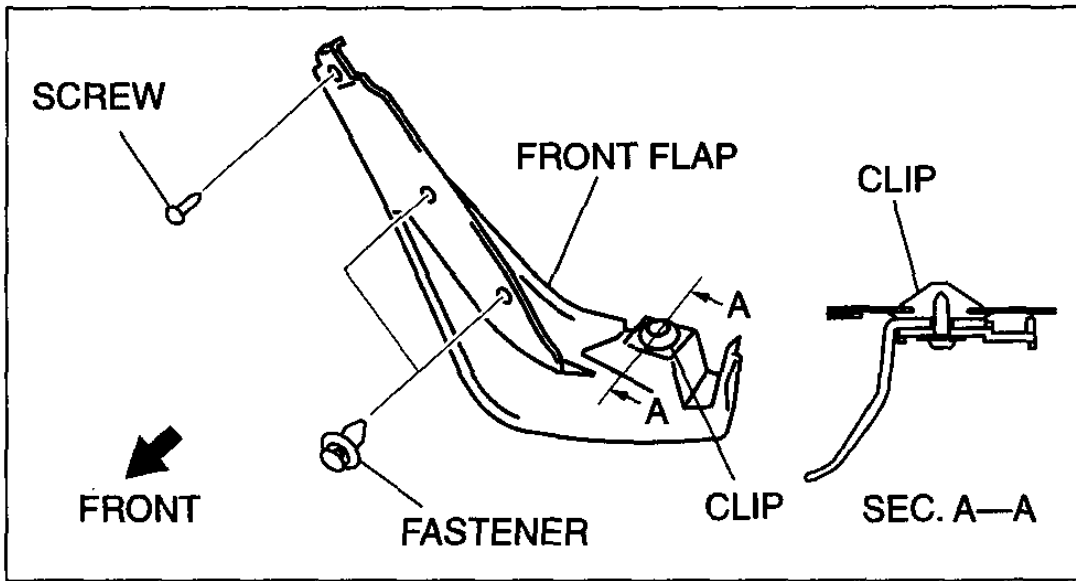
Component Procedures: Mud Flap

Table of Contents

1. Removal and Replacement (itype_401)

Component Procedures: Mud Flap

Removal and Replacement (itype_401)



B3E0916W104