

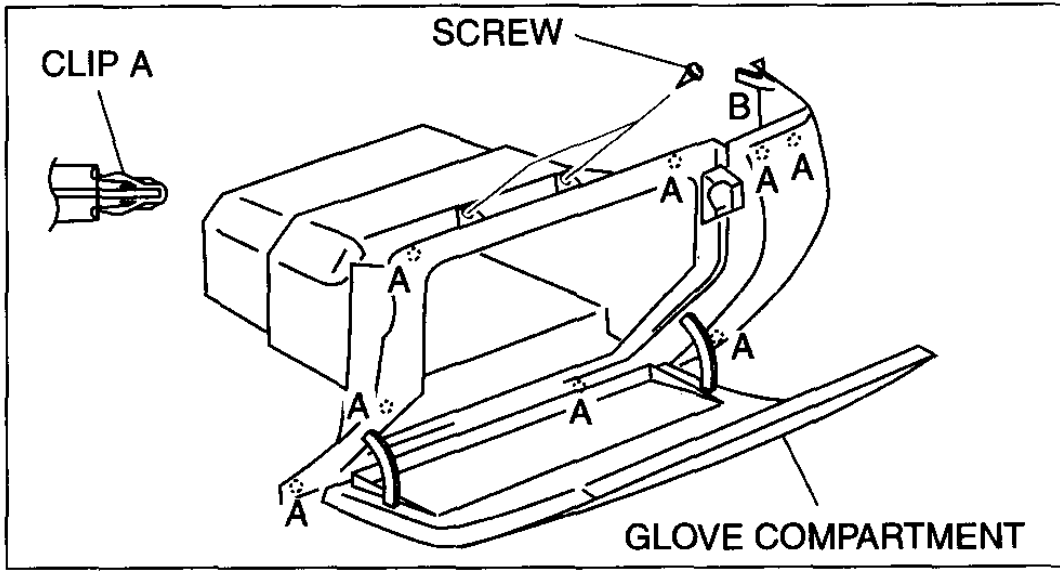
Component Procedures: Glove Compartment

Table of Contents

1. Removal and Replacement (itype_401)

Component Procedures: Glove Compartment

Removal and Replacement (itype_401)



B3E0917W108