

Component Procedures: Engine Oil

Table of Contents

1. Parts and Labor (itype_189)
2. Engine Oil Replacement (Article 1365404)
3. Capacities (itype_30)
4. Fluid Types (itype_31)
5. Fluid Types and Capacities (itype_436)
6. All Technical Service Bulletins (itype_100)
7. Customer Interest Bulletins (itype_109)
8. Engine Oil Level Inspection (Article 1365403)
9. Noise (itype_156)

Component Procedures: Engine Oil




Parts and Labor (itype_189)

Labor

Operation	Qualifier Path	Skill	Std Hrs	Wty Hrs
Replace	Lube & Filter, Service	C	0.9	0.0
Replace	Lube & Filter, Service > NOTE > To Change Oil?	C	0.1	0.0
Replace	Lube & Filter, Service > NOTE > To Install Gr?	C	0.1	0.0
Replace	Oil Change	B	0.6	0.0

Engine Oil Replacement (Article 1365404)

Engine oil specification

Item	U.S.A. and CANADA	Except U.S.A. and CANADA
Engine oil grade	 (ILSAC)	  (ILSAC) API SL or ILSAC
Engine oil viscosity	5W-20	5W-20 (If SAE 5W-20 engine oil is not available in your market, use SAE 5W-30 engine oil.)

Oil capacity (approx. quantity)

L {US qt, Imp qt}

Item	Specifications
Oil replacement	3.9 {4.1, 3.4}
Oil and oil filter replacement	4.3 {4.5, 3.8}
Total (dry engine)	4.6 {4.9, 4.0}

Capacities (itype_30)

Engine Oil Capacity

Capacity

Oil Replacement 3.9 liters (4.1 US Qts, 3.4 Imp qts.)

Oil and

Oil Filter

Replacement 4.3 liters (4.5 US Qts, 3.8 Imp qts.)

Fluid Types (itype_31)

Engine Oil Type

Type API Grade SM ILSAC

Recommended Viscosity (SAE) 5W-20

Fluid Types and Capacities (itype_436)

Fluid Types
Capacities

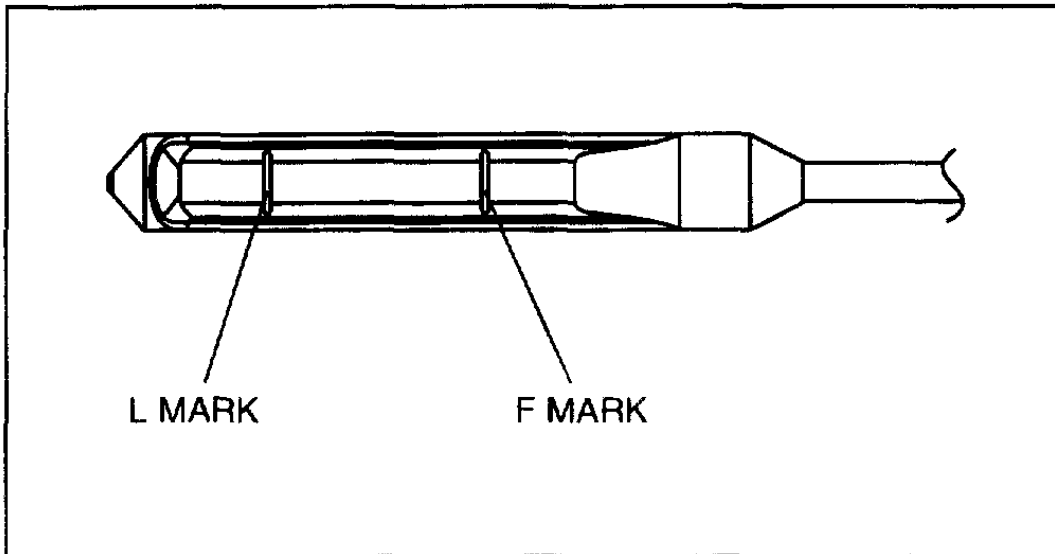
All Technical Service Bulletins (itype_100)

Tsbs
- Engine - VVT Noise At Engine Start Up (0101011, 2011/12/21)

Customer Interest Bulletins (itype_109)

Tsbs
- Engine - VVT Noise At Engine Start Up (0101011, 2011/12/21)

Engine Oil Level Inspection (Article 1365403)



D6E111AW3001

Noise (itype_156)

Tsbs
- Engine - VVT Noise At Engine Start Up (0101011, 2011/12/21)