

# **Component Procedures: Radiator**

## **Table of Contents**

1. Parts and Labor (itype\_189)
2. Radiator Removal/Installation (Article 1364224)

# Component Procedures: Radiator

## Parts and Labor (itype\_189)

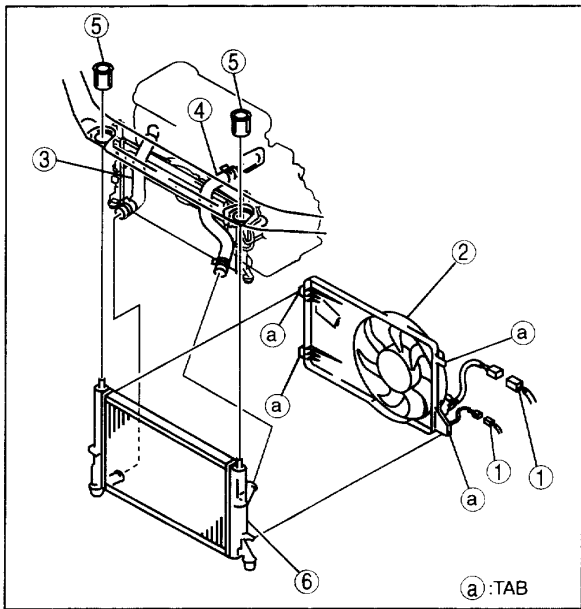
### Parts

Qualifier	Part #	Name	Price	Note
Radiator > Manual Trans	Z60315200	1 - Radiator	592.36	
Radiator > Auto Trans	L33X15200	1 - Radiator	530.56	

### Labor

Operation	Qualifier Path	Skill	Std Hrs	Wty Hrs
Replace	Radiator, R&R	B	1.5	1.2

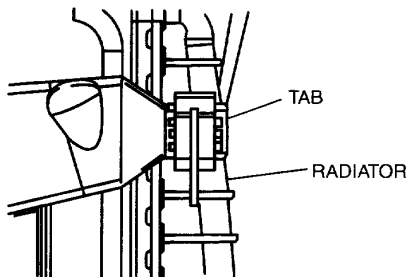
## Radiator Removal/Installation (Article 1364224)



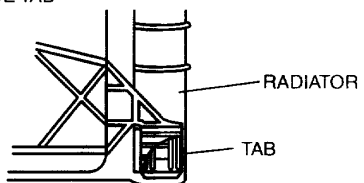
B3E0112W122

1	Fan control module connector
2	Cooling fan component
3	Radiator lower hose
4	Radiator upper hose
5	Radiator mount
6	Radiator

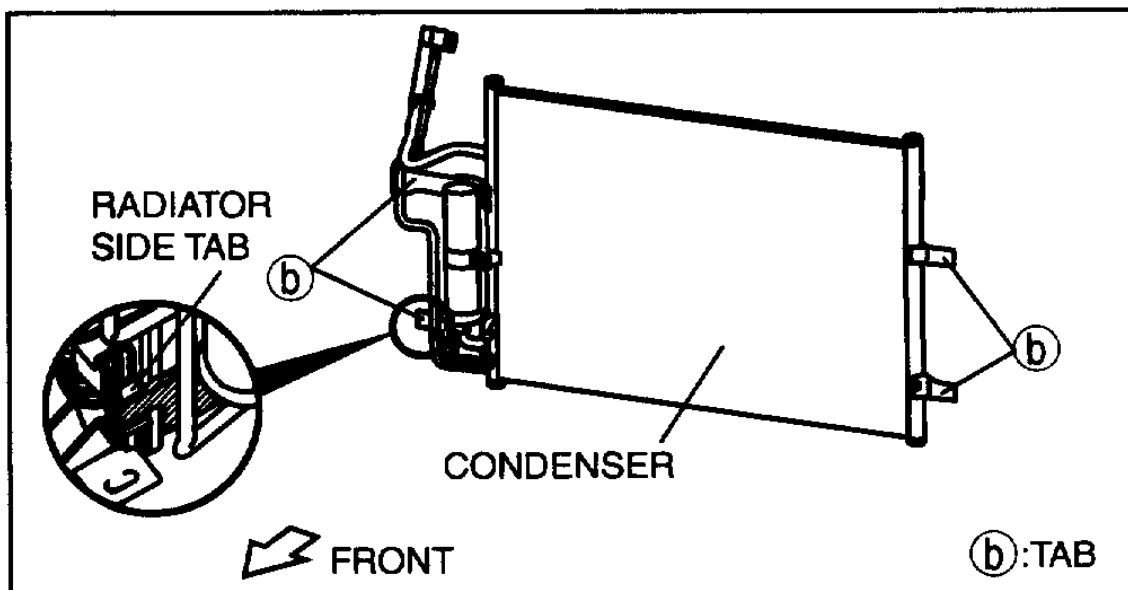
UPPER SIDE TAB



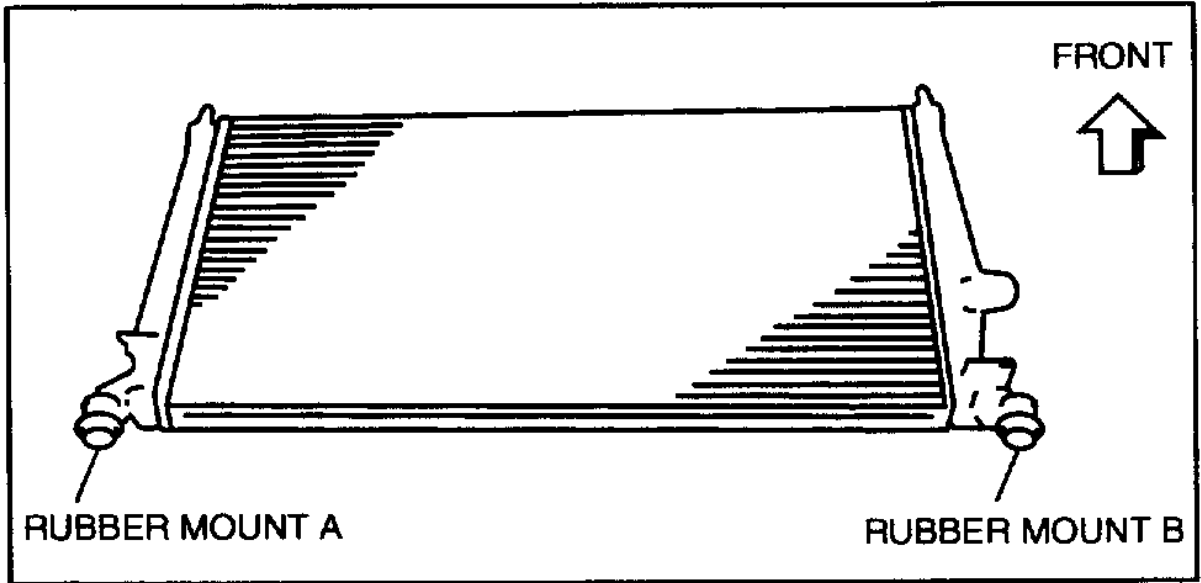
LOWER SIDE TAB



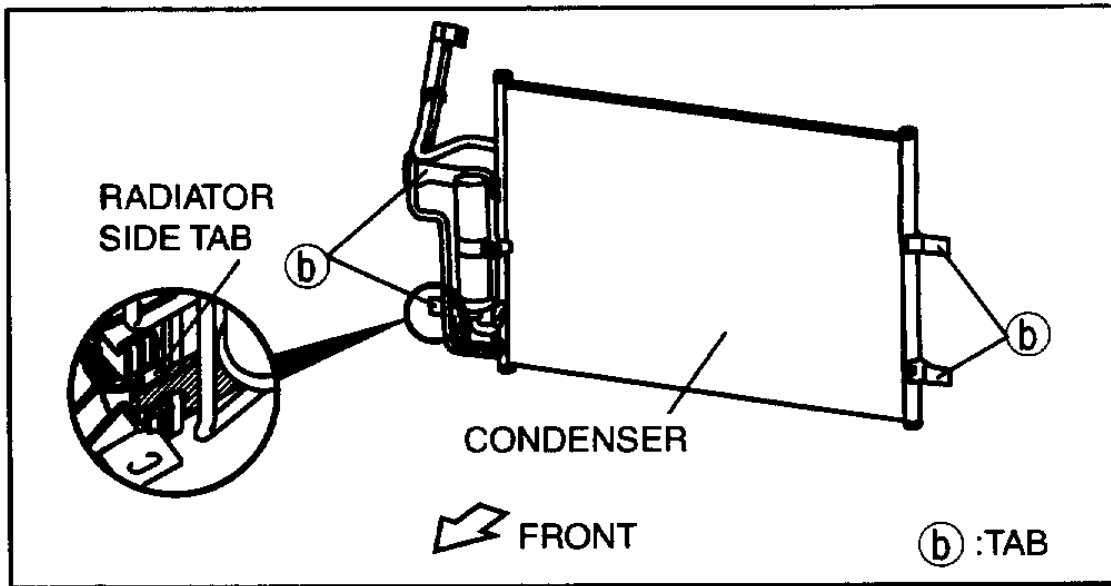
C3U0112W303



B3E0112W020

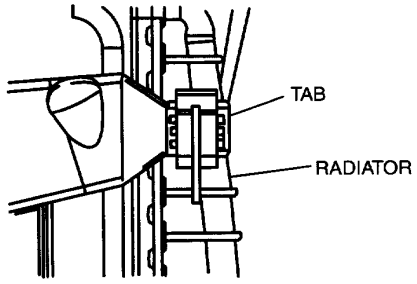


B3E112W002

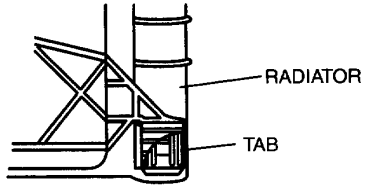


B3E0112W023

UPPER SIDE TAB



LOWER SIDE TAB



C3U0112W303