

Component Procedures: Console

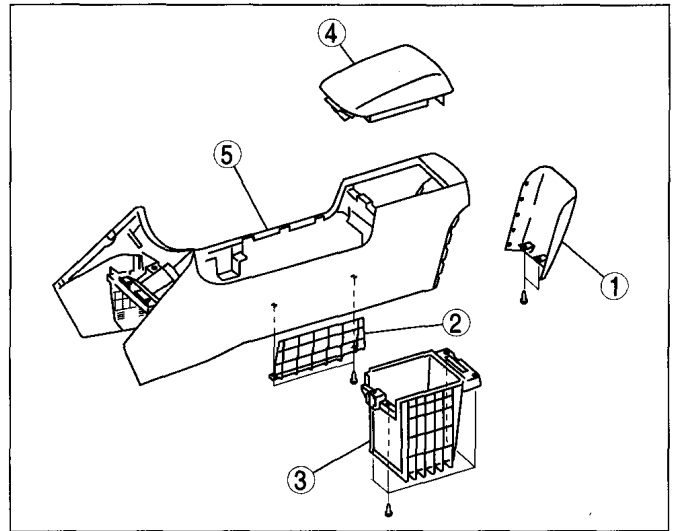
Table of Contents

1. Overhaul (itype_402)
2. Removal and Replacement (itype_401)
3. All Technical Service Bulletins (itype_100)
4. Repair Tips (itype_110)

Component Procedures: Console

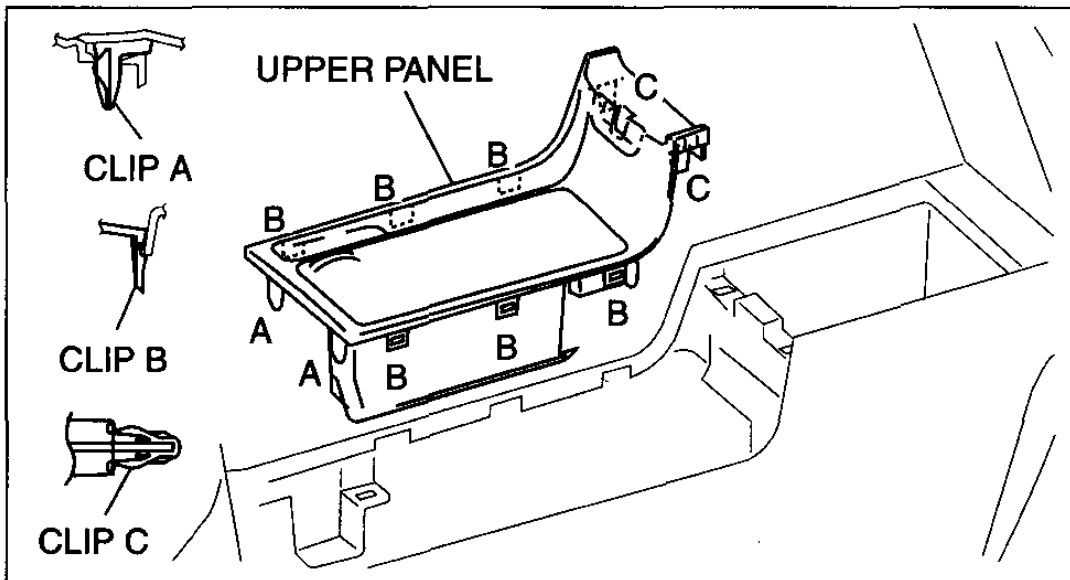
Overhaul (itype_402)

1	Console panel
2	Plate
3	Rear console box
4	Console lid
5	Console

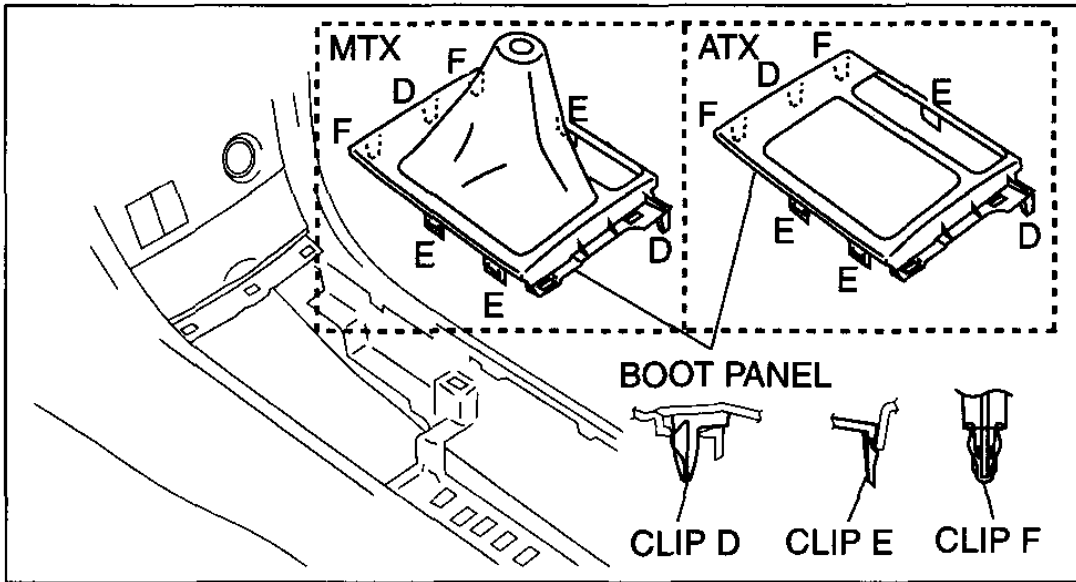


c3u0917w106

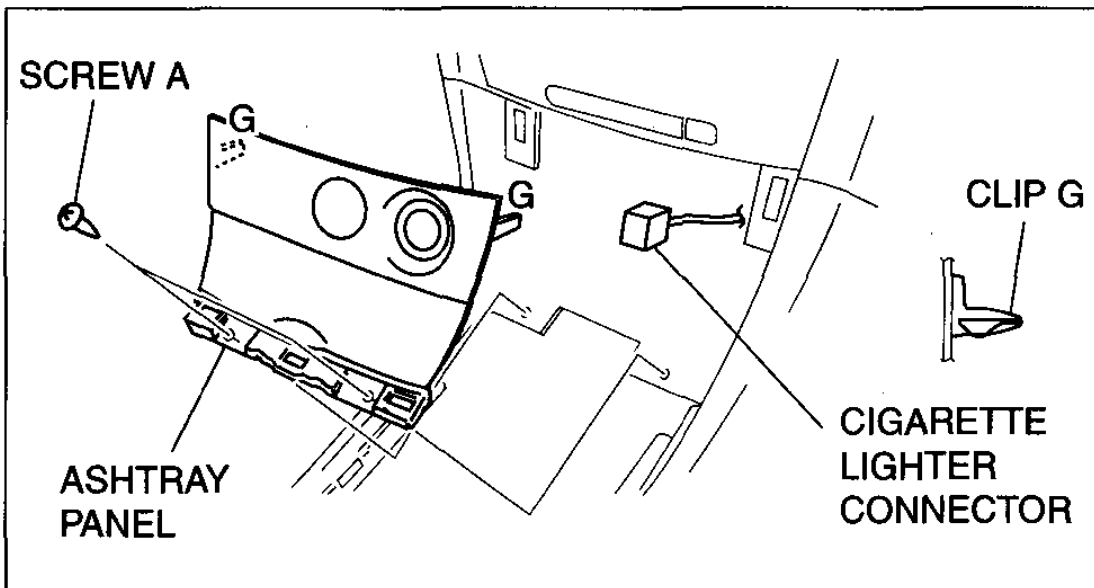
Removal and Replacement (itype_401)



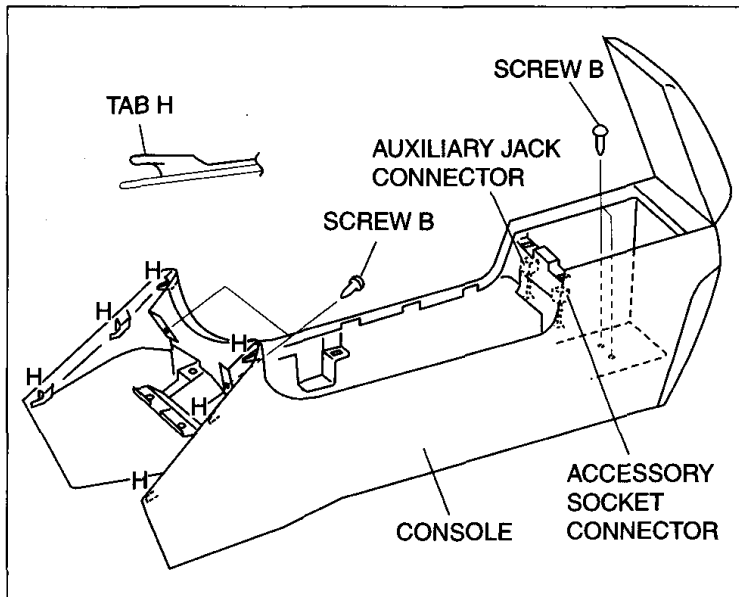
am3uuw0000073



am3uuw0000073



c3u0917w155



am3uuw0000074

All Technical Service Bulletins (itype_100)

Tsbs

- Interior - Console Damage Prevention During Removal (MTIP-09-01-9, 2009/01/01)

Repair Tips (itype_110)

Tsbs

- Interior - Console Damage Prevention During Removal (MTIP-09-01-9, 2009/01/01)