

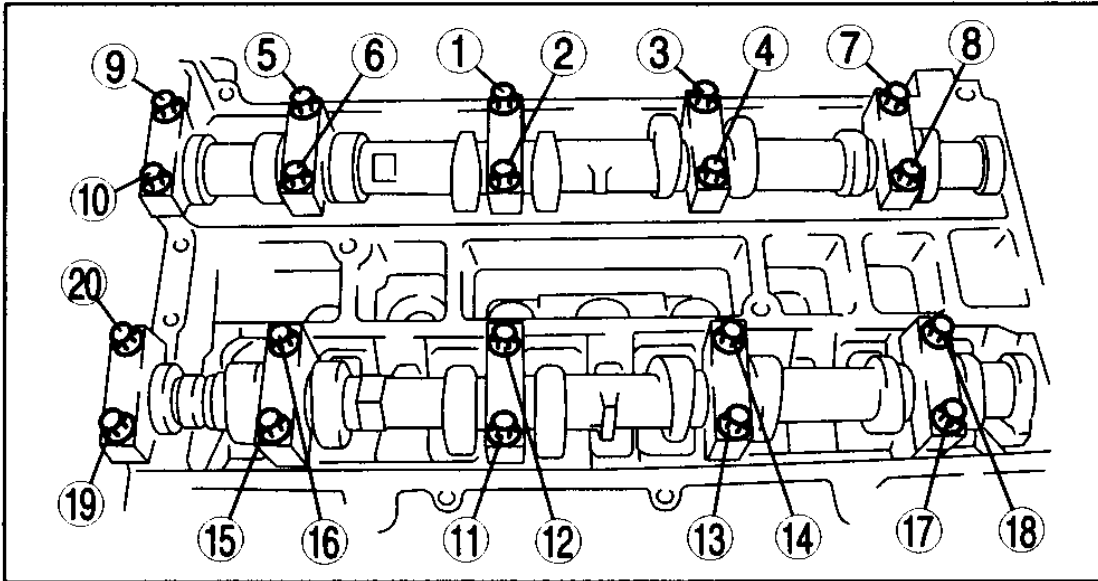
Component Procedures: Camshaft Bearing

Table of Contents

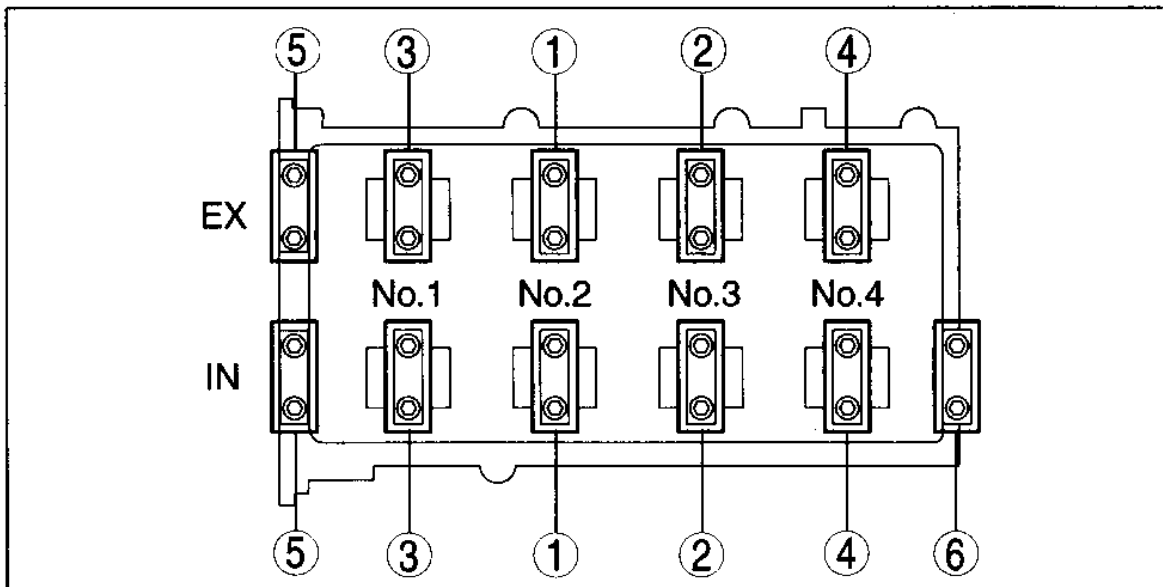
1. Mechanical (including Torque) (itype_28)

Component Procedures: Camshaft Bearing

Mechanical (including Torque) (itype_28)



B3E0110E098



acxuuw00000256