

Component Procedures: EGR Valve

Table of Contents

1. Parts and Labor (itype_189)
2. Components (itype_32)
3. Removal and Replacement (itype_401)
4. Component Tests and General Diagnostics (itype_383)

Component Procedures: EGR Valve

Parts and Labor (itype_189)

Parts

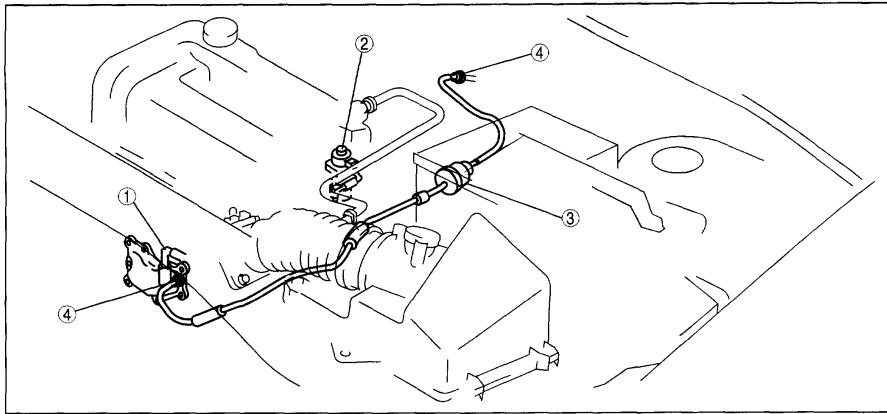
| Qualifier | Part # | Name | Price | Note |
|-----------|-----------|-----------|--------|------|
| EGR Valve | ZZDA20300 | Egr Valve | 118.36 | |

Labor

| Operation | Qualifier Path | Skill | Std Hrs | Wty Hrs |
|-----------|----------------|-------|---------|---------|
| Replace | Egr Valve, R&R | B | 1.4 | 1.1 |

Components (itype_32)

Engine Compartment Side



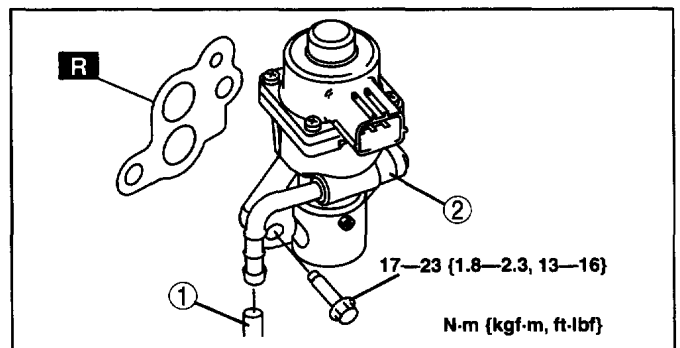
c3u0116w010

| | |
|---|--|
| 1 | Positive crankcase ventilation (PCV) valve |
| 2 | EGR valve |

| | |
|---|----------------------------------|
| 3 | Purge solenoid valve |
| 4 | Quick release connector (Type A) |

Removal and Replacement (itype_401)

| | |
|---|------------|
| 1 | Water hose |
| 2 | EGR valve |

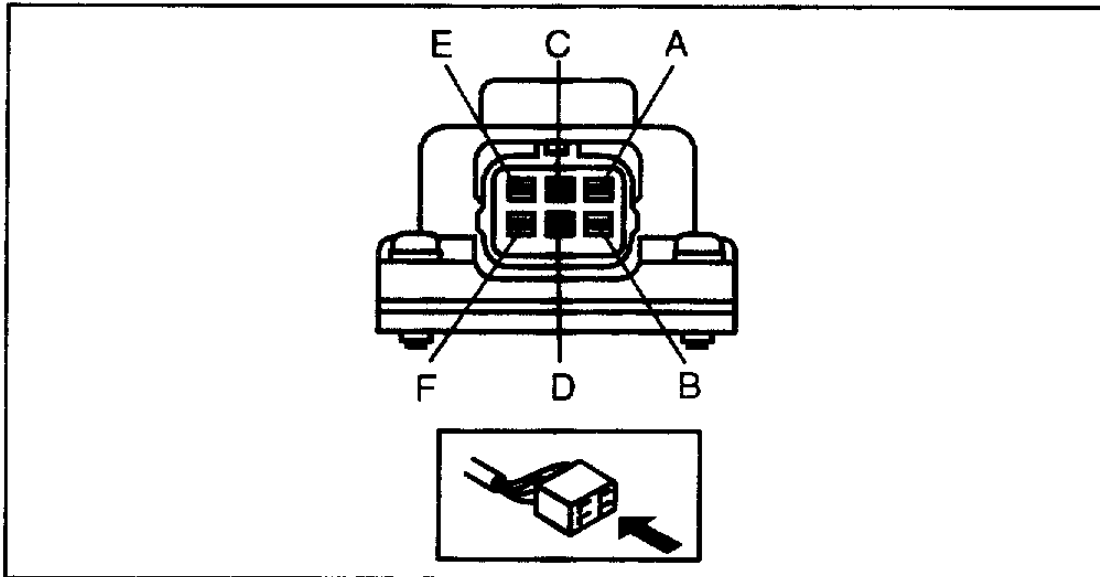


c3u0116w021

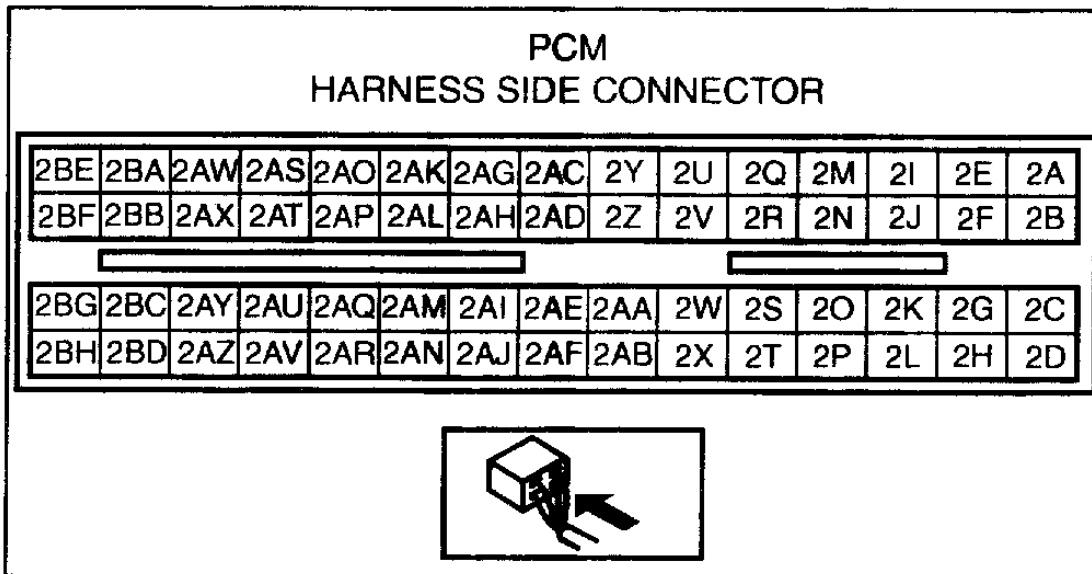
Component Tests and General Diagnostics (itype_383)

Standard

| Terminal | Resistance (ohm) |
|----------|------------------|
| C—E | 12—16 |
| C—A | |
| D—B | |
| D—F | |



A6J3916W003



E68U11021W6993