

Component Procedures: Condenser HVAC

Table of Contents

1. Parts and Labor (itype_189)
2. Removal and Replacement (itype_401)
3. Component Tests and General Diagnostics (itype_383)

Component Procedures: Condenser HVAC

Parts and Labor (itype_189)

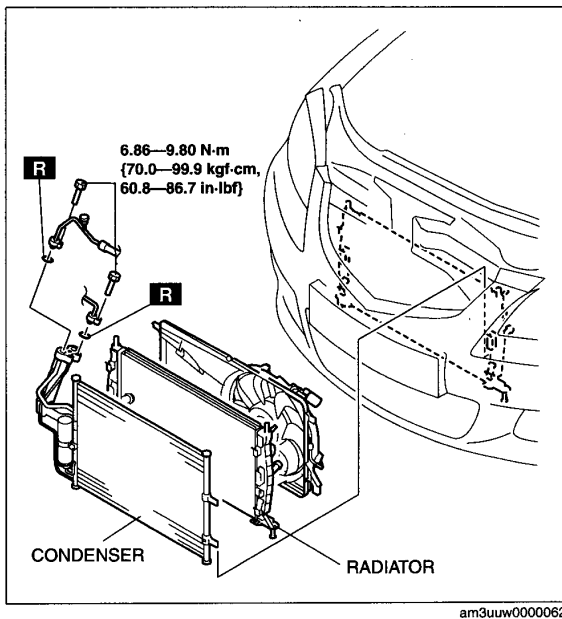
Parts

Qualifier	Part #	Name	Price	Note
Condenser	BPYK6148ZA	Condenser	468.22	Includes Drier.

Labor

Operation	Qualifier Path	Skill	Std Hrs	Wty Hrs
Replace	Condenser, R&R	B	1.7	1.3

Removal and Replacement (itype_401)



Component Tests and General Diagnostics (itype_383)

CONDENSER INSPECTION

1. Inspect the condenser for cracks, damage, and oil leakage.
 - If there is any malfunction, replace the condenser.
2. Visually inspect the fins for clogging of foreign material.
 - If any fins are clogged, remove the foreign material.
3. Visually inspect the fins for bending.
 - If there is any bending, use the end of a flathead screwdriver to straighten fins.