

# **Component Procedures: Ambient Temperature Sensor / Switch HVAC**

## **Table of Contents**

1. Parts and Labor (itype\_189)
2. Ambient Temperature Sensor - Description and Operation (Article 44831)
3. Ambient Temperature Sensor - Repair Procedures (Article 44832)

# Component Procedures: Ambient Temperature Sensor / Switch HVAC

## Parts and Labor (itype\_189)

### Parts

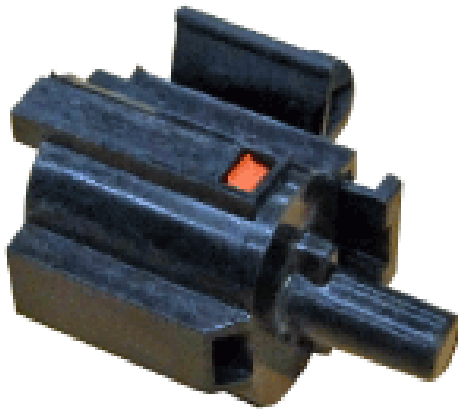
Qualifier	Part #	Name	Price	Note
Automatic Temperature Contro?	969853X000	Ambient Temp Sensor	67.87	

### Labor

Operation	Qualifier Path	Skill	Std Hrs	Wty Hrs
Remove & Replace	Automatic Temperature Controls > Ambient Temp?	B	1.6	0.0

## Ambient Temperature Sensor - Description and Operation (Article 44831)

### - Description



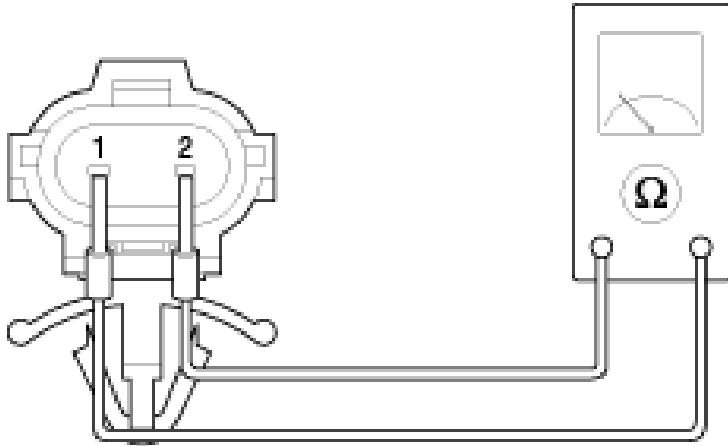
If the ambient temperature is below 1.0°C (33.8°F), the A/C compressor will stop. The compressor will operate manually.

# NOTICE

## Ambient Temperature Sensor - Repair Procedures (Article 44832)

### - Inspection

- Check the resistance of the ambient temperature sensor between terminals 1 and 2 whether it changes by changing the ambient temperature. 1. Ambient Sensor (+) 2. Sensor ground Specification Ambient temperature [°C (°F)] Resistance between terminal 1 and 2 (kΩ) -30 (-22) 480.41 -20 (-4) 271.21 -10 (14) 158.18 0 (32) 95.096 10 (50) 58.799 20 (68) 37.315 30 (86) 24.26 40 (104) 16.13 50 (122) 10.95



1. Ambient Sensor (+) 2. Sensor ground

Specification

Ambient temperature [°C (°F)] Resistance between terminal 1 and 2 (kΩ)

-30 (-22) 480.41

-20 (-4) 271.21

-10 (14) 158.18

0 (32) 95.096

10 (50) 58.799

20 (68) 37.315

30 (86) 24.26

40 (104) 16.13

50 (122) 10.95

- Diagnosis With GDS

- The heating, ventilation and air conditioning can be quickly diagnosed failed parts with vehicle diagnostic system (GDS). ■ The diagnostic system (GDS) provides the following information. (1) Self diagnosis : Checking the failure code (DTC) and display. (2) Current data : Checking the system input/output data state. (3) Actuation test : Checking the system operation condition. (4) Additional function : Other controlling such as the system option and zero point adjustment.

- Select the 'Car model' and the system to be checked in order to check the vehicle with the tester.

- Select the 'Current data' menu to search the current state of the input / output data. The input / output data for the sensors corresponding to the Ambient Temperature Sensor can be checked.

