

Component Procedures: License Plate Bulb

Table of Contents

1. Parts and Labor (itype_189)
2. License Lamps - Repair Procedures (Article 44656)

Component Procedures: License Plate Bulb

Parts and Labor (itype_189)

Parts

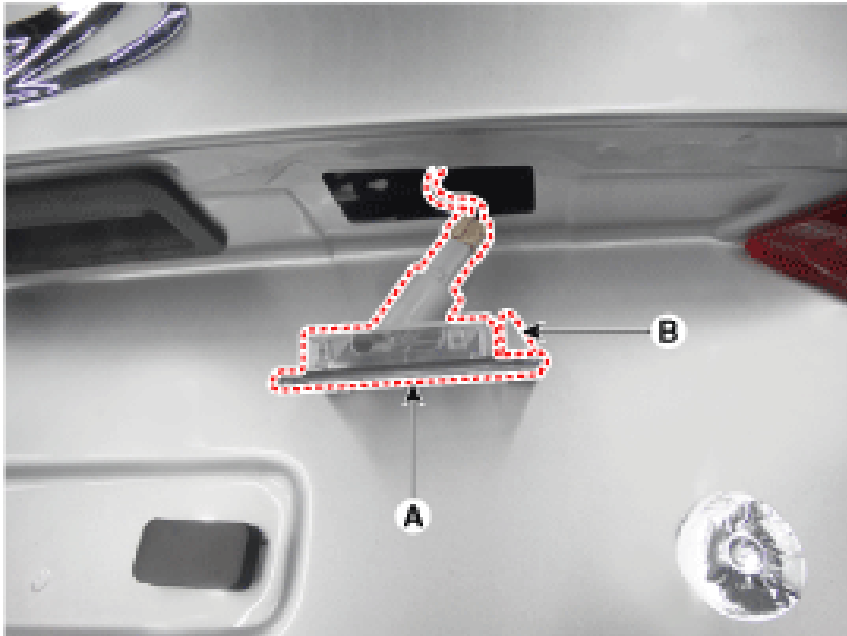
Qualifier	Part #	Name	Price	Note
Bulbs > Exterior Bulbs	1864505009N	High Mounted Stop Lamp	3.55	
Bulbs > Exterior Bulbs	1864505009N	License Plate Lamp	3.55	

Labor

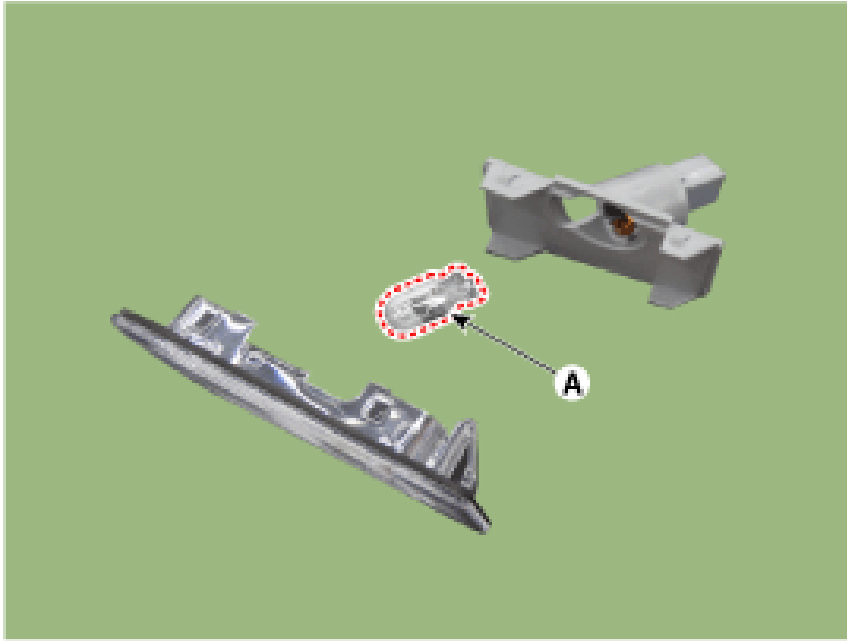
Operation	Qualifier Path	Skill	Std Hrs	Wty Hrs
Remove & Replace	Bulbs > Exterior Bulbs, R&R > License Lamp	C	0.3	0.0

License Lamps - Repair Procedures (Article 44656)

- Removal
- Disconnect the negative (-) battery terminal.
- Remove the trunk lid panel.
- Remove the license lamp (A) after disengaging the license lamp mounting clip (B).



- Replace the bulb (A) after removing a lens.



- Installation
- Install the license lamp assembly.
- Install the trunk lid panel.
- Connect the negative (-) battery terminal.