

Component Procedures: Variable Valve Timing Actuator

Table of Contents

1. Parts and Labor (itype_189)
2. CVVT Oil Control Valve (OCV) - Repair Procedures (Article 44169)

Component Procedures: Variable Valve Timing Actuator

Parts and Labor (itype_189)

Parts

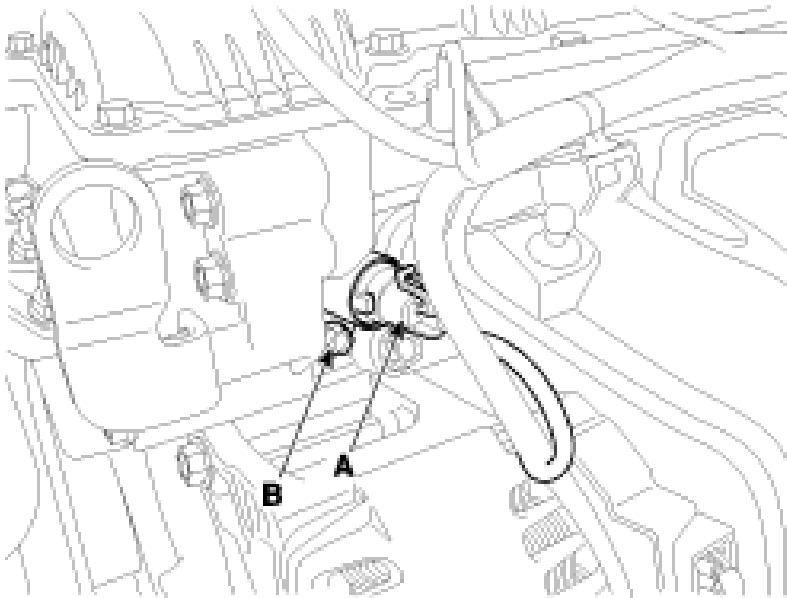
Qualifier	Part #	Name	Price	Note
Variable Valve Timing > Actu?	243702E020	19 - Exhaust	306.10	
Variable Valve Timing > Actu?	243502E700	19 - Intake	382.13	

Labor

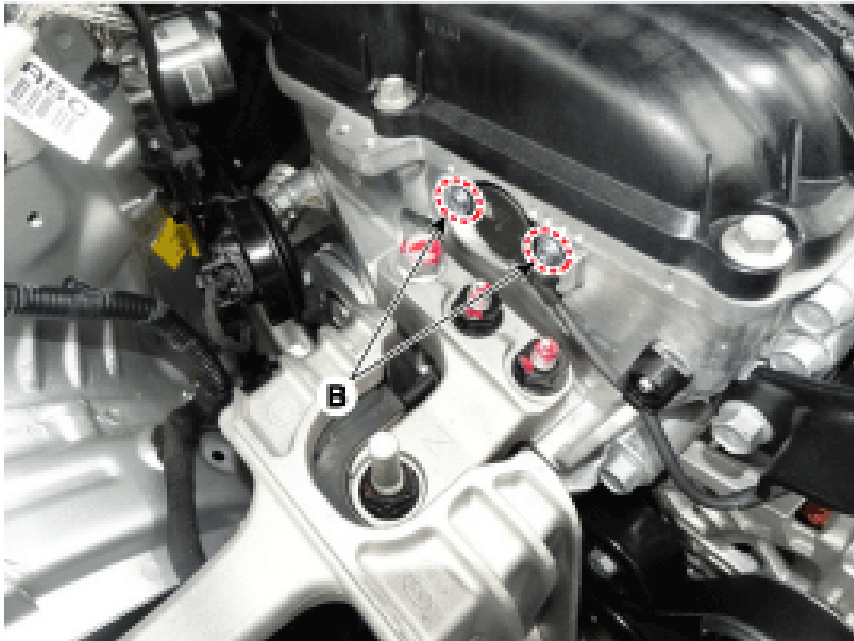
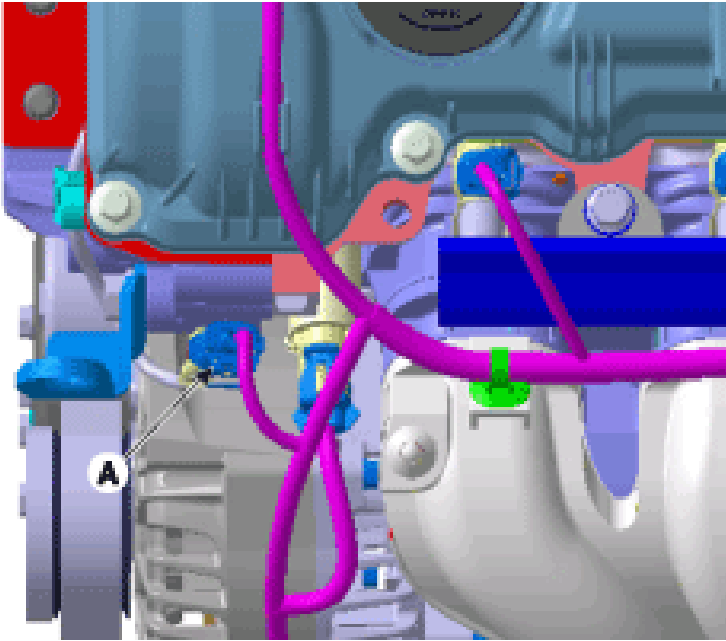
Operation	Qualifier Path	Skill	Std Hrs	Wty Hrs
Remove & Replace	Variable Valve Timing > Actuator, R&R > Both	B	4.9	0.0

CVVT Oil Control Valve (OCV) - Repair Procedures (Article 44169)

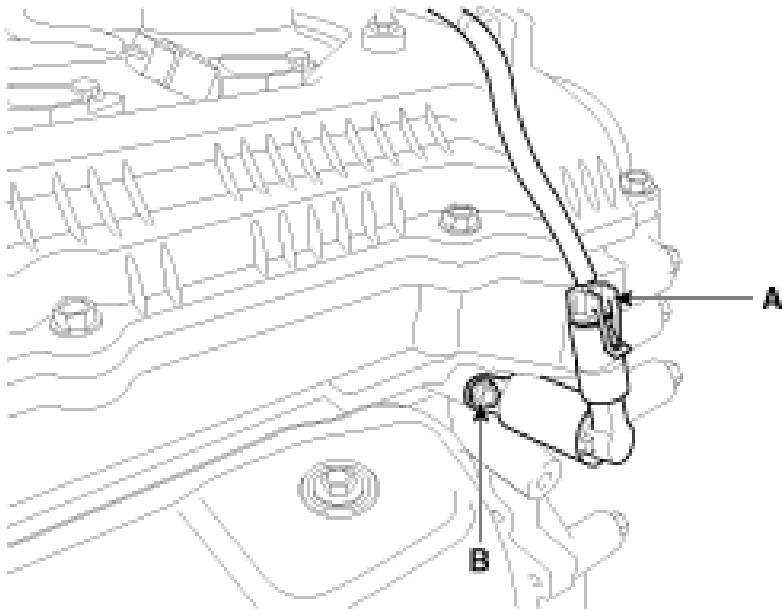
- Inspection
- Turn the ignition switch OFF.
- Disconnect the OCV connector.
- Measure resistance between the OCV terminals 1 and 2.
- Check that the resistance is within the specification. Specification : Refer to "Specification"
- Removal
- Turn the ignition switch OFF and disconnect the battery negative (-) cable.
- Disconnect the CVVT oil control valve connector (A).
- Remove the installation bolt (B), and then remove the valve from the engine. [Bank 1 / Intake] #1 [Bank 1 / Intake] #2 [Bank 1 / Exhaust]
- [Bank 1 / Intake] #1



[Bank 1 / Intake] #2



[Bank 1 / Exhaust]



- Installation

Install the component with the specified torques. Note that internal damage may occur when the component is dropped. In this case, use it after inspecting.



- Install the component with the specified torques.
 - Note that internal damage may occur when the component is dropped. In this case, use it after inspecting.
- Apply engine oil to the valve O-ring.
- Apply engine oil to the valve O-ring.
 - Installation is reverse of removal. CVVT oil control valve installation bolt : 9.8 - 11.8 N.m (1.0 - 1.2 kgf.m, 7.2 - 8.7 lb-ft)