

Component Procedures: Air Temperature Sensor (Ambient / Intake)

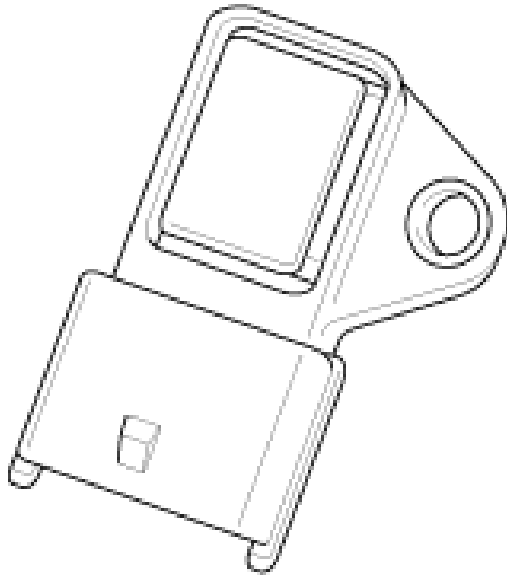
Table of Contents

1. Intake Air Temperature Sensor (IATS) - Description and Operation (Article 44204)
2. Intake Air Temperature Sensor (IATS) - Schematic Diagrams (Article 44206)
3. Intake Air Temperature Sensor (IATS) - Repair Procedures (Article 44208)
4. Intake Air Temperature Sensor (IATS) - Specifications (Article 44205)

Component Procedures: Air Temperature Sensor (Ambient / Intake)

Intake Air Temperature Sensor (IATS) - Description and Operation (Article 44204)

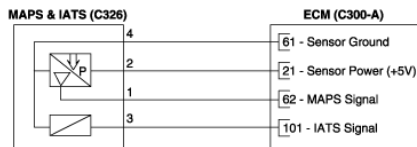
- Description



Intake Air Temperature Sensor (IATS) - Schematic Diagrams (Article 44206)

- Circuit Diagram

[Circuit Diagram]

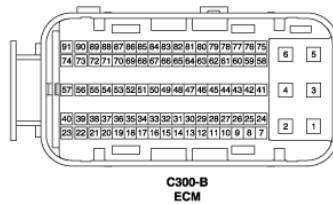
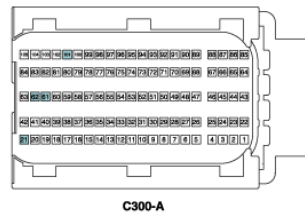


[Harness Connector]



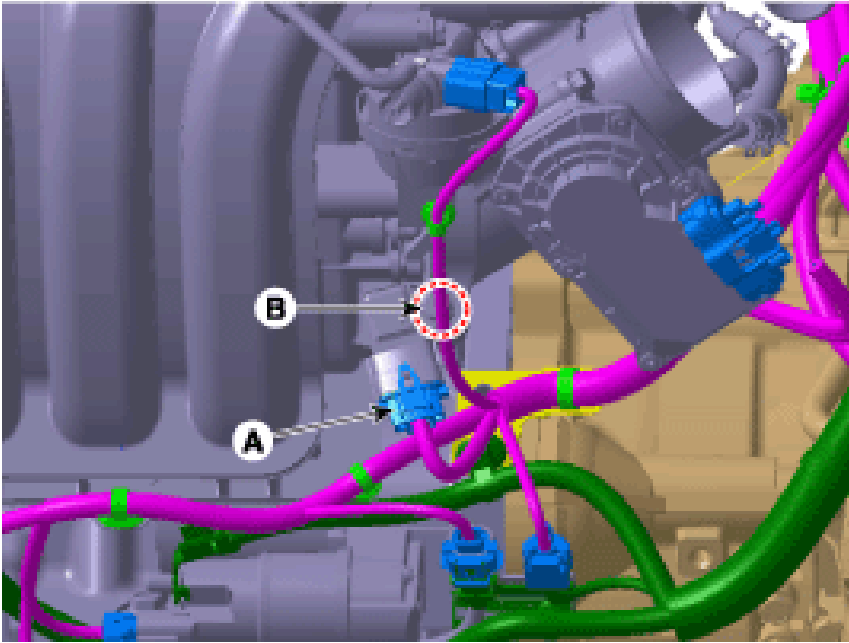
[Connection Information]

Terminal	Connected to	Function
1	ECM C300-A (62)	MAPS #1 Signal
2	ECM C300-A (21)	Sensor Power (+5V)
3	ECM C300-A (101)	Sensor Ground
4	ECM C300-A (61)	IATS Signal



Intake Air Temperature Sensor (IATS) - Repair Procedures (Article 44208)

- Inspection
- Turn the ignition switch OFF.
- Disconnect the IATS connector.
- Measure resistance between the IATS terminals 3 and 4.
- Check that the resistance is within the specification. Specification : Refer to "Specification"
- Removal
- Turn the ignition switch OFF and disconnect the battery negative (-) cable.
- Disconnect the manifold absolute pressure sensor connector (A).
- Remove the installation bolt (B), and then remove the sensor from the surge tank.



- Installation

Install the component with the specified torques. Note that internal damage may occur when the component is dropped. In this case, use it after inspecting.



- Install the component with the specified torques.
- Note that internal damage may occur when the component is dropped. In this case, use it after inspecting.
- Insert the sensor in the installation hole and be careful not to damage when installation.
- Insert the sensor in the installation hole and be careful not to damage when installation.
- Installation is reverse of removal. Manifold absolute pressure sensor installation bolt : 9.8 - 11.8 N.m (1.0 - 1.2 kgf.m, 7.2 - 8.7 lb-ft)

Intake Air Temperature Sensor (IATS) - Specifications (Article 44205)

- Specification

Temperature [°C (°F)] Resistance (kΩ)

-40 (-40)	40.93 - 48.35
-20 (-4)	13.89 - 16.03
0 (32)	5.38 - 6.09
10 (50)	3.48 - 3.90
20 (68)	2.31 - 2.57
40 (104)	1.08 - 1.21
50 (122)	0.76 - 0.85
60 (140)	0.54 - 0.62
80 (176)	0.29 - 0.34