

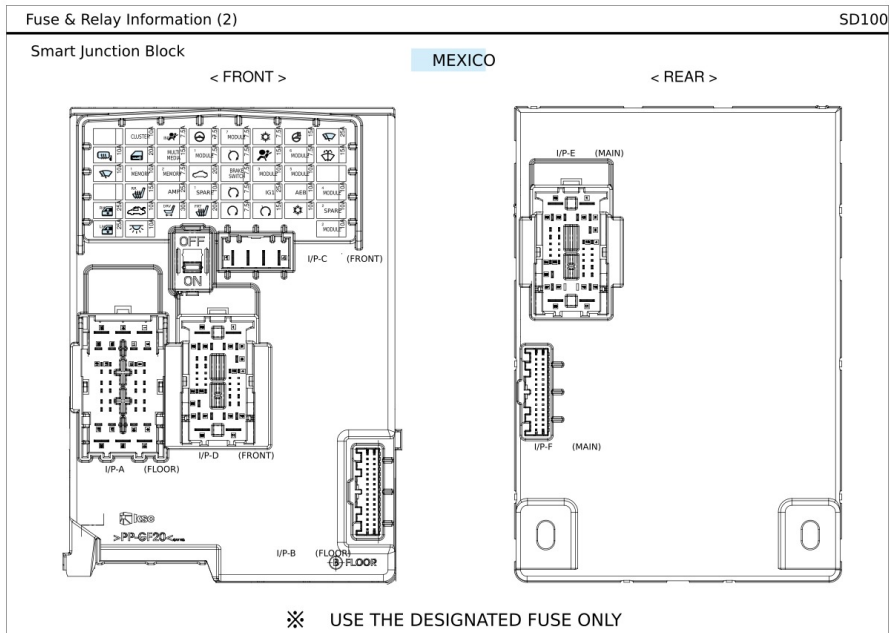
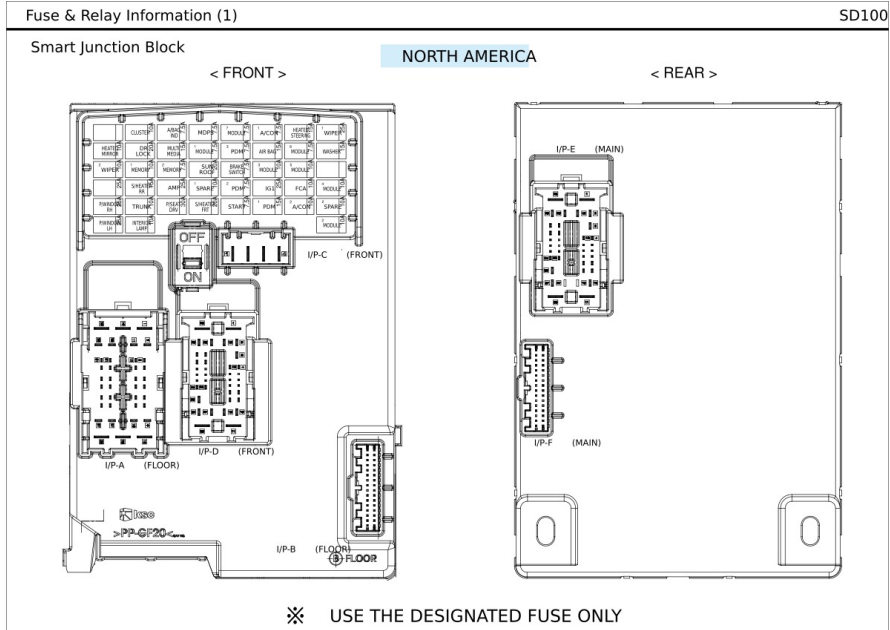
Component Procedures: Power and Ground Distribution

Table of Contents

1. Fuse & Relay Information (Article 42641)
2. Ground Distribution - Schematic Diagrams (Article 42652)
3. Passenger Compartment Fuse Details - Schematic Diagrams (Article 42647)
4. Power Distribution - Schematic Diagrams (Article 42645)
5. Ground Distribution - AD (Article 10596)
6. Ground Distribution - ADA (Article 10641)
7. Power Distribution - AD (Article 12247)
8. Power Distribution - ADA (Article 12236)
9. Fuses and Relays - Components and Components Location (Article 44574)
10. All New Technical Service Bulletins (itype_432)
11. All Technical Service Bulletins (itype_100)
12. Tools and Equipment (itype_113)

Component Procedures: Power and Ground Distribution

Fuse & Relay Information (Article 42641)



Circuit (Smart Junction Block)

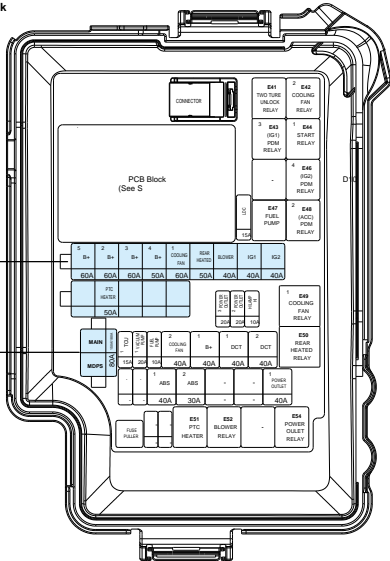
* Leak Current Outcut Device (L.CAD) Fuse

NO.	(A)	Fuse Name		Circuit Protected	NO.	(A)	Fuse Name		Circuit Protected
		NORTH AMERICA	MEXICO (Symbol)				NORTH AMERICA	MEXICO (Symbol)	
F2	10A	CLUSTER	CLUSTER	Instrument Cluster	F23	10A	1 MODULE	1 MODULE	Crash Post Switch, Electric Chimes, Mirror, Driver MEM Module, AT Shift Lever Indicator, AV & Navigation Head Unit, Audio, A/C Control Module, Console Switch LH/RH, Forward Collision Avoidance Assist Unit, ISIG DC-DC Converter (Audio, AMP), Front/Rear Seat Warmer Control Module
F3	7.5A	ABAG IND		Instrument Cluster, A/C Control Module	F26	15A	SHEATER RR		Rear Seat Warmer Control Module
F4	7.5A	MDPS		MDPS Unit	F27	25A	AMP	AMP	AMP, ISIG DC-DC Converter (AMP)
F5	10A	MODULE	MODULE	Sunroof Motor, Front Seat Warmer Control Module, Rear Seat Warmer Control Module	F29	7.5A	2 PDM		Smart Key Control Module, Immobilizer Module
F6	7.5A	1 A/C ON		Ionizer, A/C Control Module, E/R Junction Block (RLY. 11/12)	F30	25A	IG1	IG1	PCB Block (Fuse - F10 / F12 / F14 / F16)
F7	15A	HEATED STEERING		Not Used	F31	10A	FCA	FCA	Forward Collision Avoidance Assist Unit
F8	25A	1 WIPER		Wiper Motor, PCB Block (Front Wiper (Low Relay))	F32	10A	1 MODULE	1 MODULE	Lane Keeping Assist Unit (LKA)
F9	10A	HEATED MIRROR		ECM, Driver/Passenger Power Outside Mirror, AMP, A/C Control Module	F33	25A	PWINDOW RH		Power Window RH Relay
F10	20A	DR LOCK		E/R Junction Block (RLY. 1), Door Lock/Unlock Relay	F34	10A	TRUNK		Trunk Relay
F11	15A	1 MULTI MEDIA	1 MULTI MEDIA	ISIG DC-DC Converter (Audio/AMP), Audio, AV & Navigation Head Unit	F35	30A	PSEAT DRV		Driver Seat Manual Switch, Driver IMS Module
F12	7.5A	1 MODULE	1 MODULE	Key Interlock, Driver/Passenger Smart Key Outside Handle, Driver/Passenger Door Module, BCM	F36	20A	SHEATER FRT		Front Seat Warmer Control Module, Data Link Connector
F13	7.5A	3 PDM		Smart Key Control Module, Immobilizer Module	F37	7.5A	START		W/O Smart Key - Ignition Switch, Transaxle Range Switch, Ignition Lock Switch, W/O Smart Key - Transaxle Range Switch, Ignition Switch, Smart Key Control Module, PCM, E/R Junction Block (RLY. 4)
F14	15A	ABAG		SR5 Control Module, Passenger Occupant Detection Sensor	F38	15A	1 PDM		Smart Key Control Module
F15	7.5A	4 MODULE	4 MODULE	BCM, Smart Key Control Module	F39	10A	2 A/C ON		E/R Junction Block (RLY. 12), Blower Motor, Blower Resistor, PCM, A/C Control Module
F16	15A	WASHER		Multifunction Switch	F41	25A	PWINDOW LH		Power Window LH Relay, Driver Safety Power Window Module
F17	10A	2 WIPER		ECM/PCM, BCM	F42	10A	INTERIOR LAMP		Room Lamp, Front Vanity Lamp LH/RH, Trunk Room Lamp, Ignition Key L.L. & Door Warning Switch, Wireless Charger, Overhead Console Lamp
F18	10A	1 MEMORY	1 MEMORY	Driver/Passenger Door Module, Driver IMS Module, A/C Control Module, Instrument Cluster, Electric Chimes Mirror, Blind Spot Collision Warning Unit LH/RH	F43	10A	2 MODULE	2 MODULE	PCB Block (Power Outlet Relay), USB Charging Connector, Smart Key Control Module, BCM, Power Outside Mirror Switch, Audio, AV & Navigation Head Unit, AMP
F19	7.5A	3 MEMORY	3 MEMORY	Not Used					
F20	20A	SUNROOF		Sunroof Motor					
F21	7.5A	BRAKE SWITCH	BRAKE SWITCH	Stop Lamp Switch, Smart Key Control Module					
F22	10A	3 MODULE	3 MODULE	Stop Lamp Switch, BCM, Sport Mode Switch, Driver/Passenger Door Module					

✘ USE THE DESIGNATED FUSE ONLY

E/R Junction Block

NORTH AMERICA



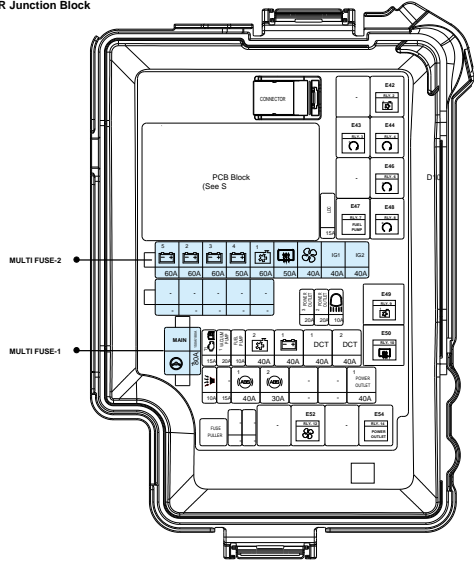
0-7)

Relay NO.	Relay Name	Type
E41	TWO TURN UNLOCK RELAY	MICRO
E42	COOLING FAN 2 RELAY	MICRO
E43	PCM #3 (IG3) RELAY	MICRO
E44	START RELAY	MICRO
E45	PCM #4 (IG2) RELAY	MICRO
E46	PCM #4 (IG2) RELAY	MICRO
E47	FUEL PUMP RELAY	MICRO
E48	PCM #2 (ACC) RELAY	MICRO
E49	COOLING FAN 1 RELAY	MNI
E50	REAR HEATED RELAY	MNI
E51	PTC HEATER RELAY	MICRO
E52	BLOWER RELAY	MICRO
E53	-	MICRO
E54	POWER OUTLET RELAY	MICRO

✘ USE THE DESIGNATED FUSE AND RELAY ONLY

E/R Junction Block

MEXICO



0-8)

Relay NO.	Symbol	Relay Name	Type
E41 (RLY. 1)	-	-	MICRO
E42 (RLY. 3)		COOLING FAN 2 RELAY	MICRO
E43 (RLY. 2)		PDM #3 (IG3) RELAY	MICRO
E44 (RLY. 4)		START RELAY	MICRO
E45 (RLY. 5)	-	-	MICRO
E46 (RLY. 6)		PDM #4 (IG2) RELAY	MICRO
E47 (RLY. 7)		FUEL PUMP RELAY	MICRO
E48 (RLY. 8)		PDM #2 (ACC) RELAY	MICRO
E49 (RLY. 9)		COOLING FAN 1 RELAY	MNI
E50 (RLY. 10)		REAR HEATED RELAY	MNI
E51 (RLY. 11)	-	-	MICRO
E52 (RLY. 12)		BLOWER RELAY	MICRO
E53 (RLY. 13)	-	-	MICRO
E54 (RLY. 14)		POWER OUTLET RELAY	MICRO

✳ USE THE DESIGNATED FUSE AND RELAY ONLY

Circuit (E/R Junction Block)

✳ USE THE DESIGNATED FUSE AND RELAY ONLY

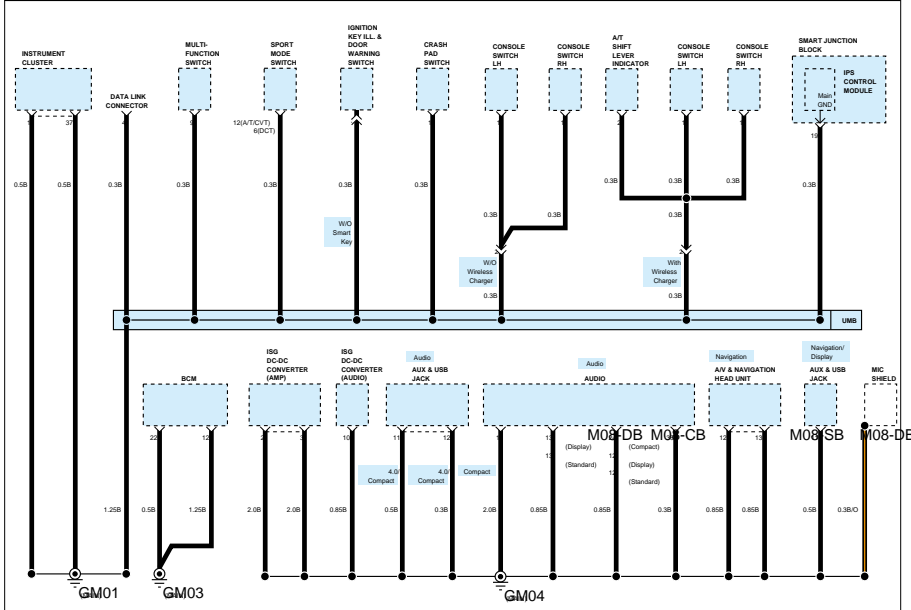
Fuse NO.	(A)	Fuse Name		Circuit Protected
		NORTH AMERICA	MEXICO (Symbol)	
MULTI FUSE-1	F1	180A/GRN 180A/GRN	MAIN	MAIN Fuse: F30, F31, F34
	F2	30A	MDPS	MDPS Unit
	F3	60A	B+	PCB Block (Fuse: F1, F2, F3, F4, Engine Control Relay)
	F4	60A	B+	Smart Junction Block (Fuse: F36, ARISU)
MULTI FUSE-2	F5	60A	B+	Smart Junction Block (Fuse: ARISU, IPS)
	F6	50A	B+	Smart Junction Block (Fuse: F20, F26, F27, F33, F34, F35, F41)
	F7	60A	COOLING FAN	[G4LD] RLY.9 (Cooling Fan 1 Relay)
	F8	50A	REAR HEATED	RLY.10 (Rear Heated Relay)
	F9	40A	BLOWER	RLY.12 (Blower Relay)
	F11	40A	IG1	[W/O Smart Key] Ignition Switch [With Smart Key] RLY.3/8
	F12	40A	IG2	[W/O Smart Key] Ignition Switch, RLY.4 [With Smart Key] RLY.3/4/8
	F14	50A	PTC HEATER	PTC HEATER RELAY
MULTI FUSE-3	F17	15A	LDC	ISG DC-DC Converter (AMP), Audio, AV & Navigation Head Unit, Instrument Cluster, A/C Control Module
	F18	20A	POWER OUTLET	Power Outlet #2
	F19	20A	POWER OUTLET	Power Outlet #1
	F20	10A	HLAMP	RLY.14 (Head Lamp High Relay)
	F21	15A	TCU	[G4LD] TCM
	F22	20A	VACUUM PUMP	[G4LD] Vacuum Pump
	F23	10A	FUEL PUMP	RLY.7 (Fuel Pump Relay)
	F24	40A	COOLING FAN	[G4NH] RLY.2/9 (Cooling Fan 1/2 Relay)
	F25	40A	B+	F20, Smart Junction Block (Leak Current Autocut Device, Fuse: F10, F12, F21, F29, F36)
	F26	40A	DCT	[G4LD] TCM
	F27	40A	DCT	[G4LD] TCM
	F30	40A	ABS	ESC Module
	F31	30A	ABS	ESC Module
	F34	40A	POWER OUTLET	PCB Block (Power Outlet Relay)

Circuit (PCB Block)

NO.	(A)	Fuse Name		Circuit Protected
		NORTH AMERICA	MEXICO (Symbol)	
F1	10A	² SENSOR		[D4NH] Purge Control Solenoid Valve, Canister Close Valve, Variable Intake Solenoid Valve, E/R Junction Block (RLY: 29 - Cooling Fan 1/2 Relay), Electronic Throttle Sensor, Oil Control Valve #1/2, Mass Air Flow Sensor
F2	10A	² ECU		[D4LD] ECM
F3	20A	¹ ECU		[D4NH] PCM [D4LD] ECM
F4	15A	¹ SENSOR		Oxygen Sensor (Up/Down)
F5	20A	IGN COIL		Ignition Coil #192/9384
F6	10A	BUP LAMP		TCM, Transaxle Range Switch, Back-Up Lamp Switch, Electro Chromic Mirror, Back-Up Lamp L4/R4, F11
F7	10A	³ ECU		[D4NH] PCM [D4LD] ECM
F8	10A	A/C ON		A/C COMP Relay
F9	10A	⁵ ECU		[D4NH] PCM [D4LD] ECM
F10	15A	² VACUUM PUMP		[D4LD] Vacuum Pump
F11	15A	² TCU		[D4NH] Transaxle Range Switch, F6 [D4LD] TCM, Transaxle Range Switch, F6
F12	10A	³ ABS		ESC Modem, Data Link Connector
F13	15A	INJECTOR		[D4NH] INJECTOR #192/9384
F14	15A	² SENSOR		E/R Junction Block (RLY: 7 - Fuel Pump Relay)
F15	15A	⁴ ECU		[D4NH] PCM [D4LD] ECM
F16	20A	HORN		Horn Relay

✘ USE THE DESIGNATED FUSE AND RELAY ONLY

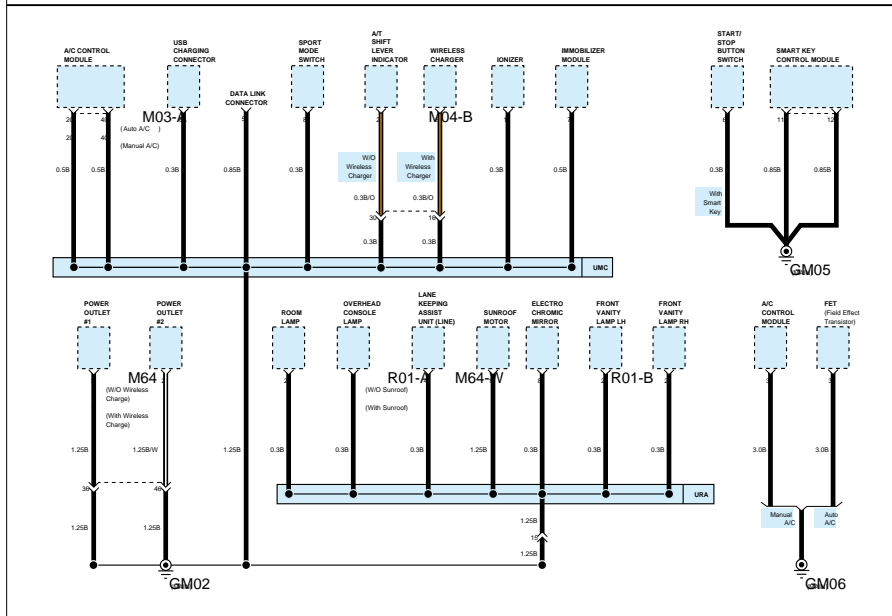
Ground Distribution - Schematic Diagrams (Article 42652)



M08-SB

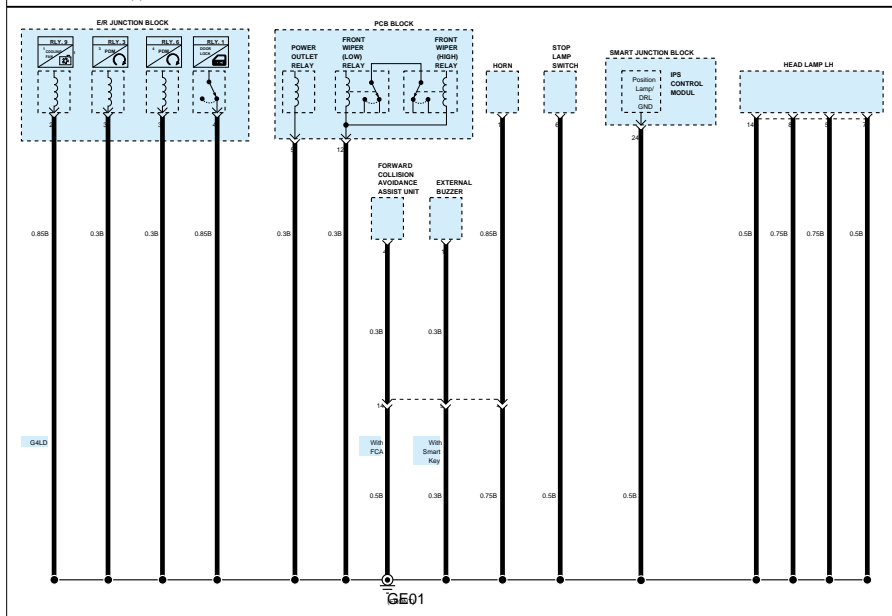
Ground Distribution (2)

SD130-2



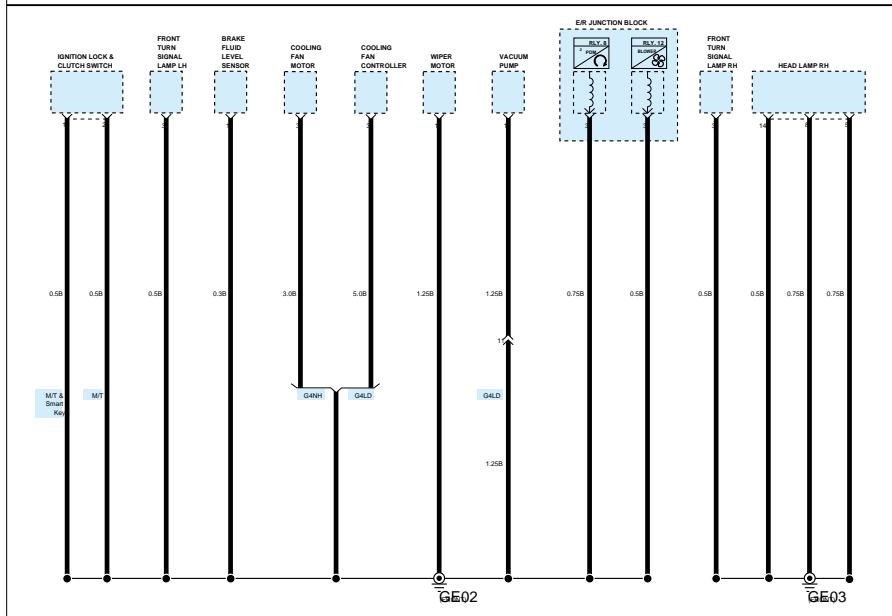
Ground Distribution (3)

SD130-3



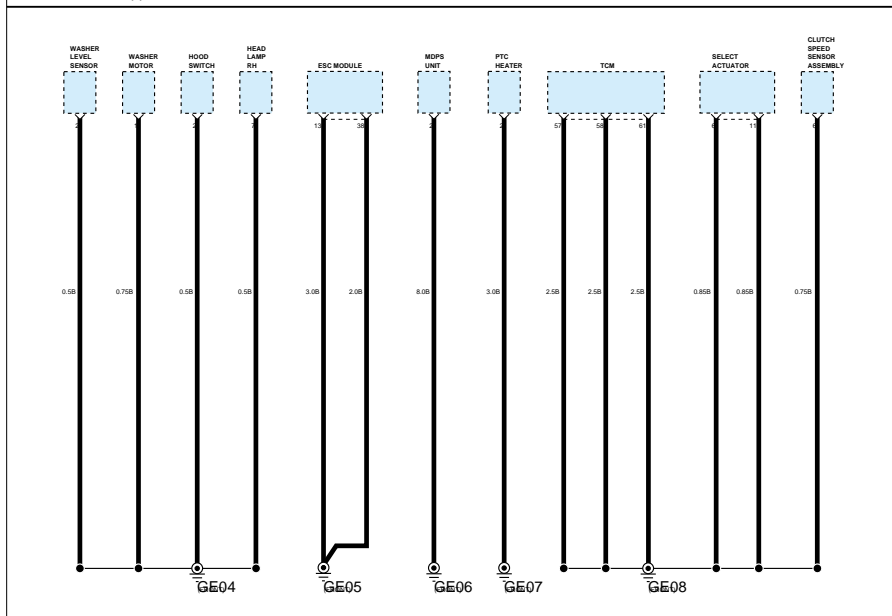
Ground Distribution (4)

SD130-4



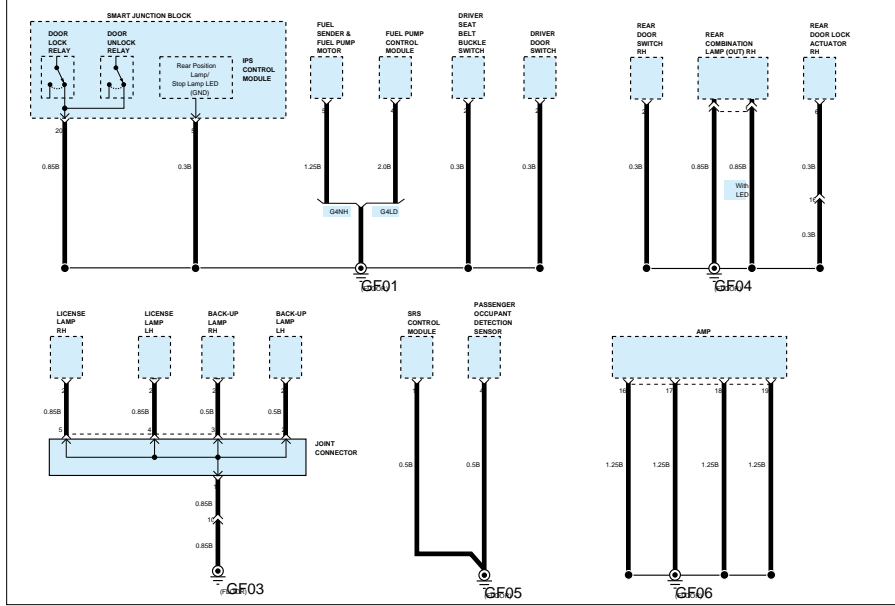
Ground Distribution (5)

SD130-5



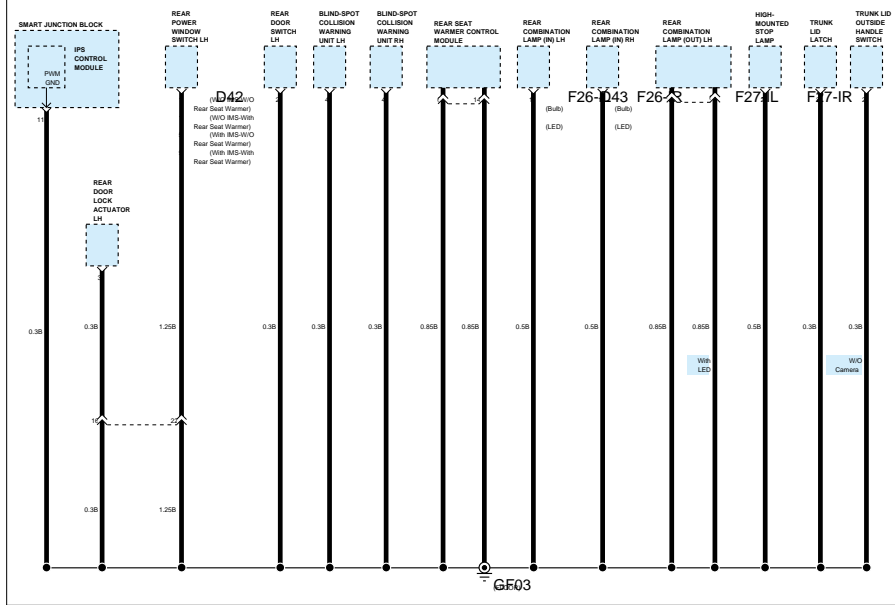
Ground Distribution (8)

SD130-8



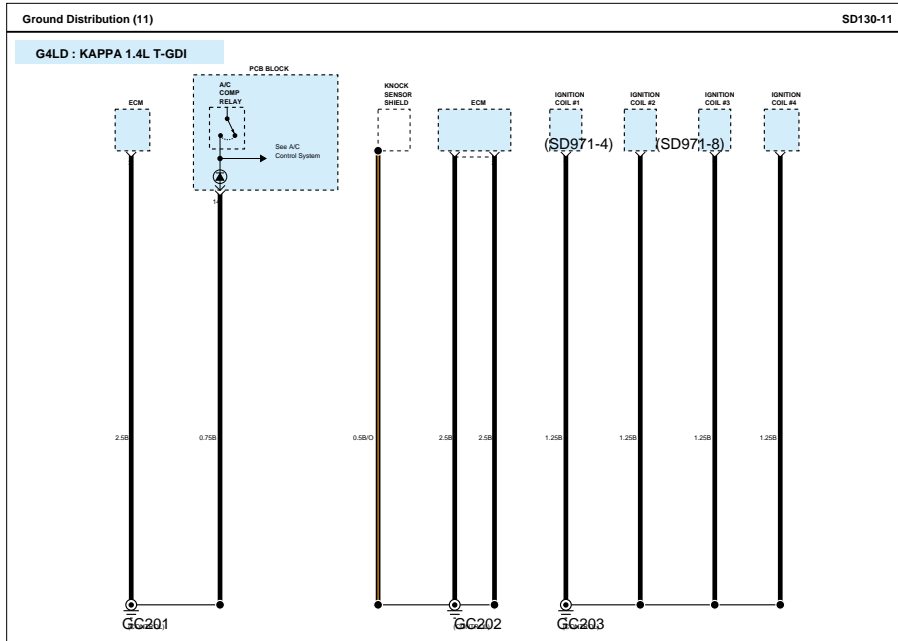
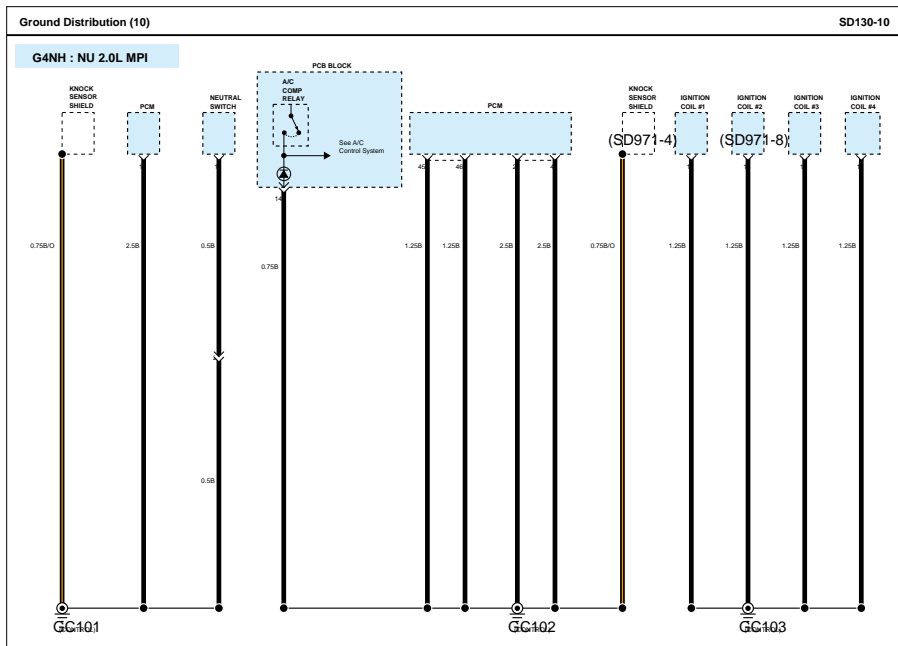
Ground Distribution (9)

SD130-9

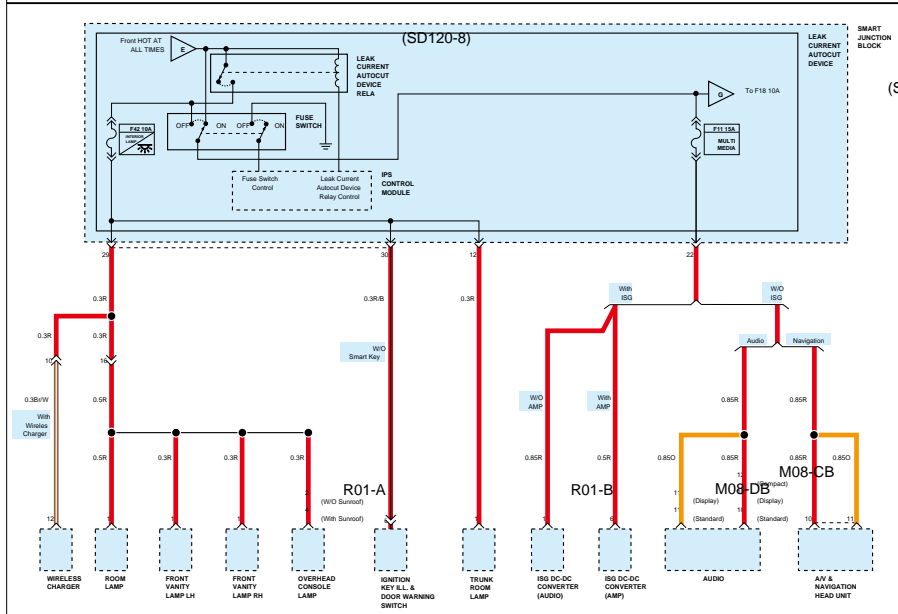


D44

D45



Passenger Compartment Fuse Details - Schematic Diagrams (Article 42647)

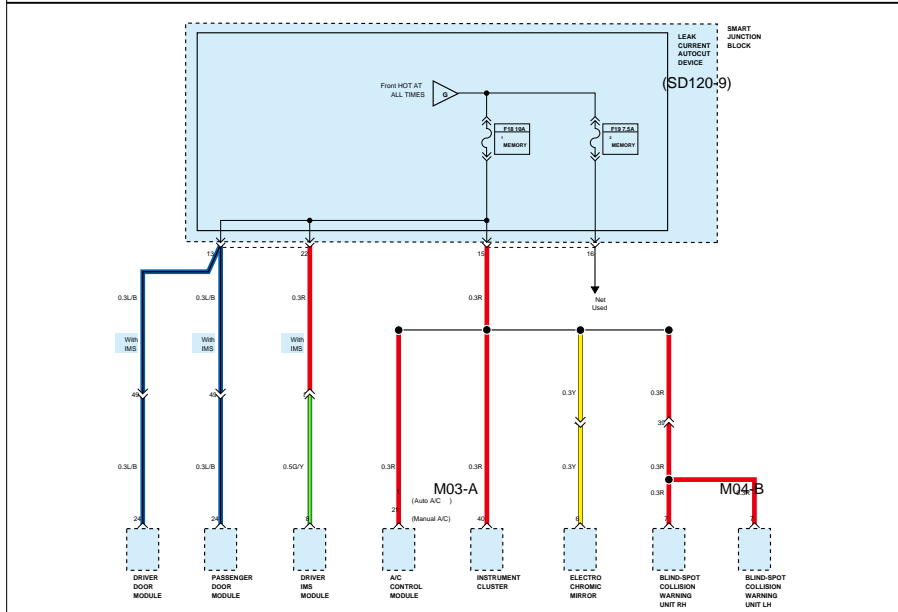


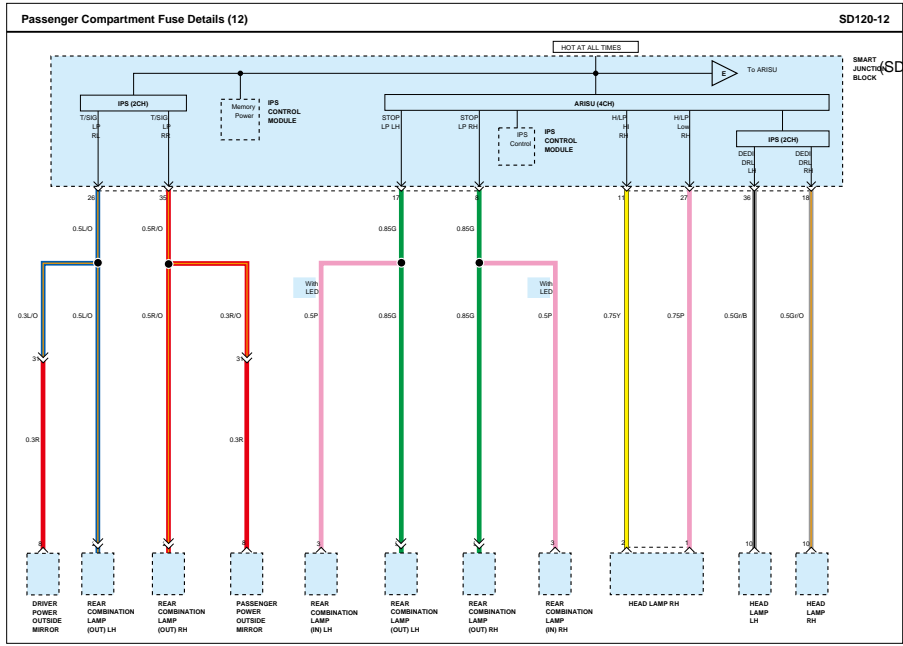
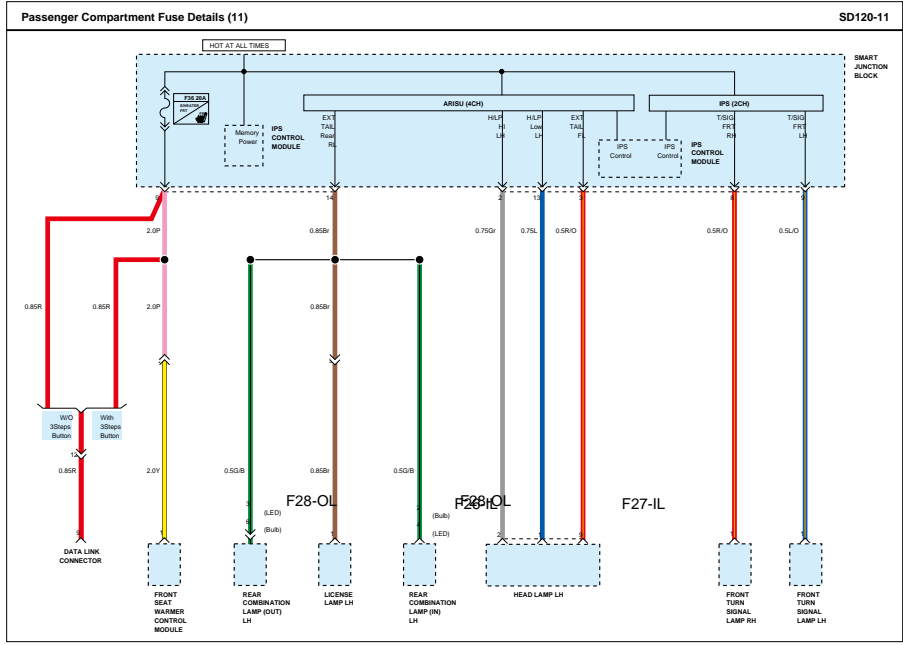
(SD120-10)

M08-SB

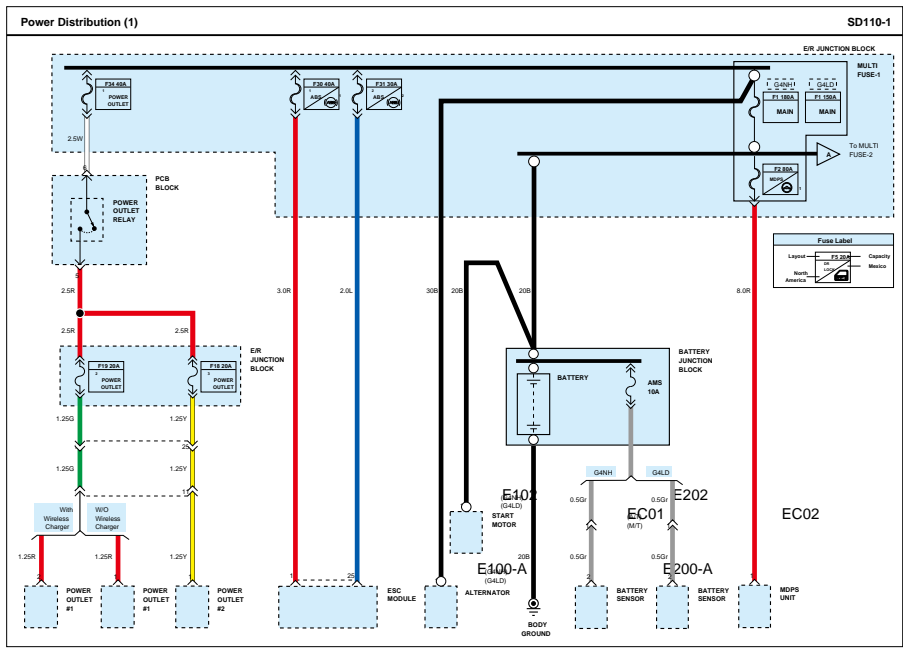
M08-DB

M08-SB

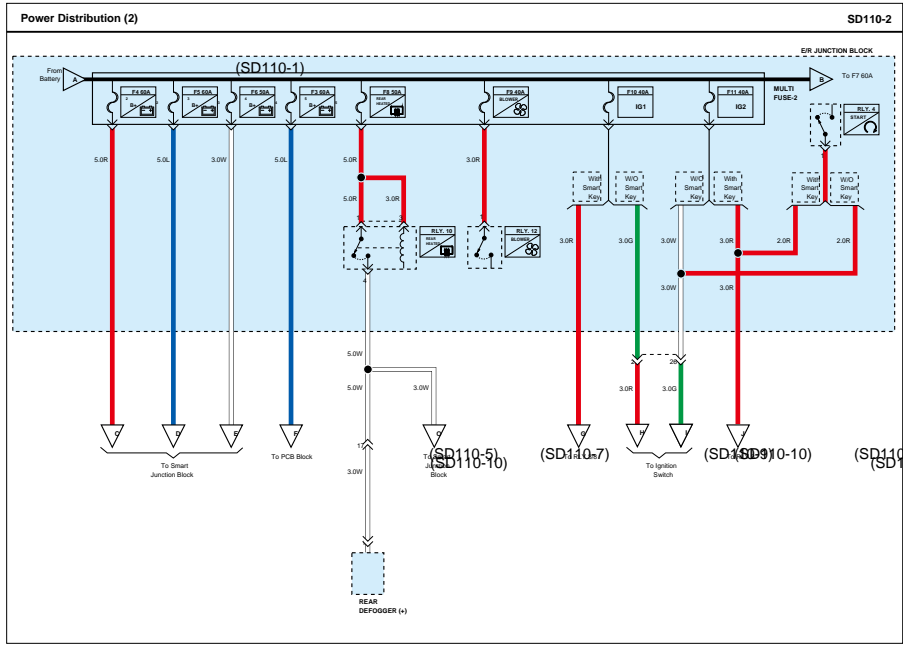




(SD120-13)



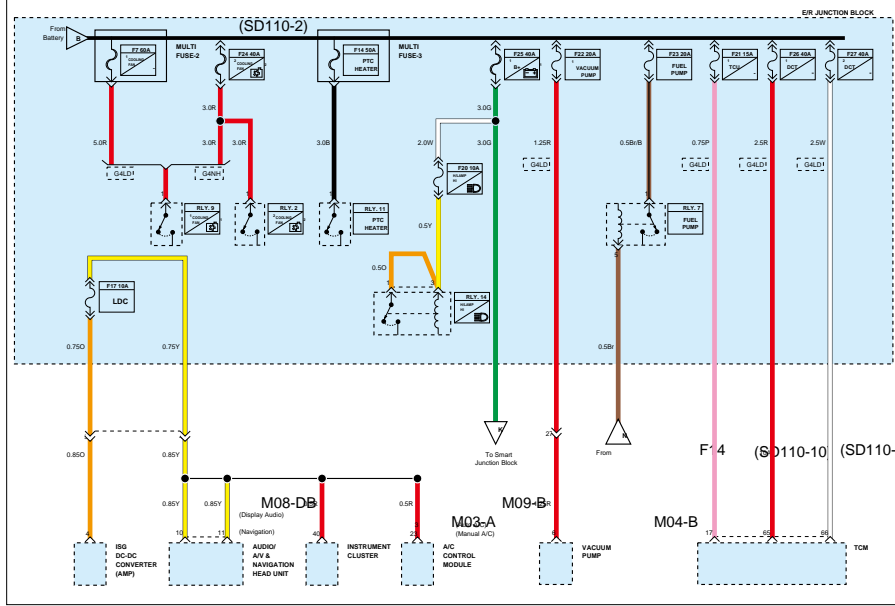
(SD110-2)



(SD110-3)

Power Distribution (3)

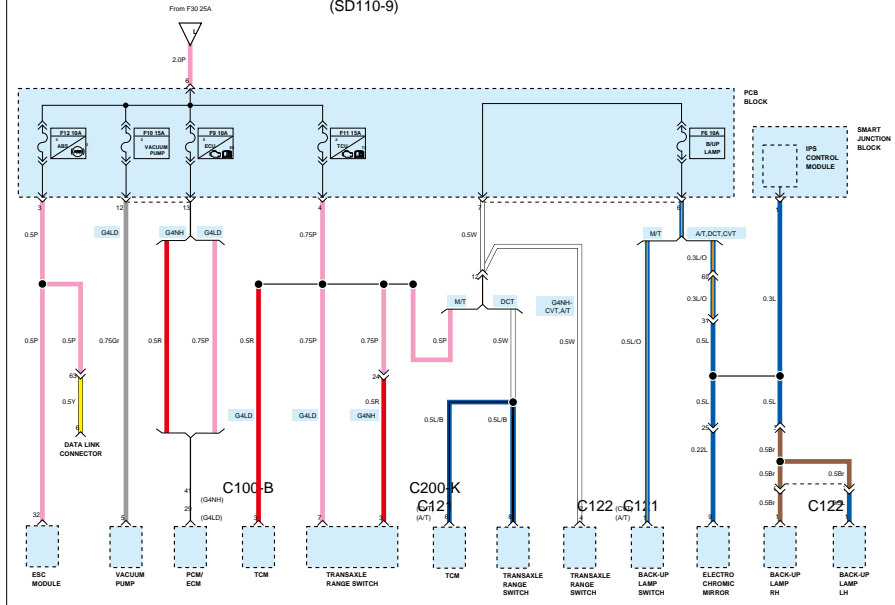
SD110-3

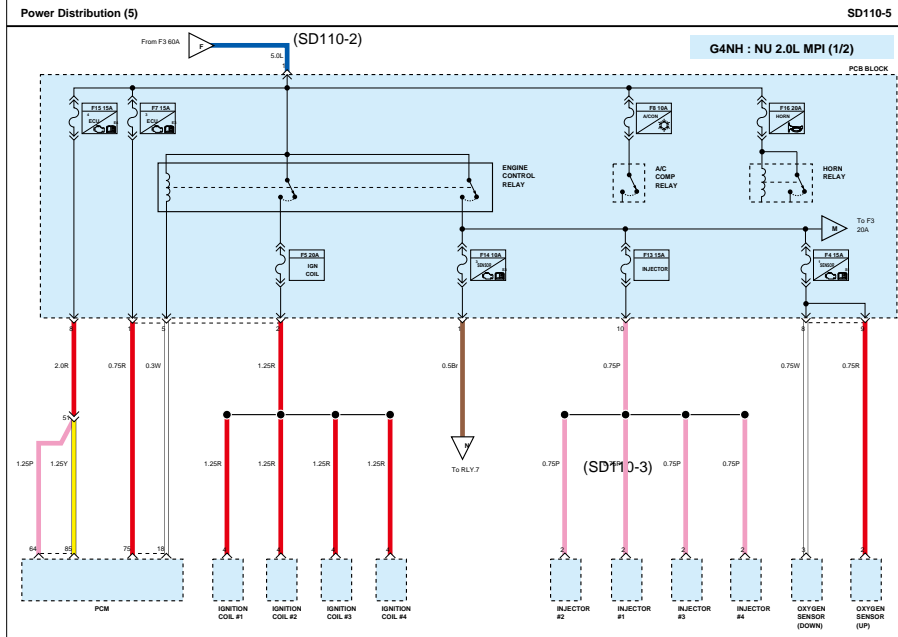


(SD110-7)

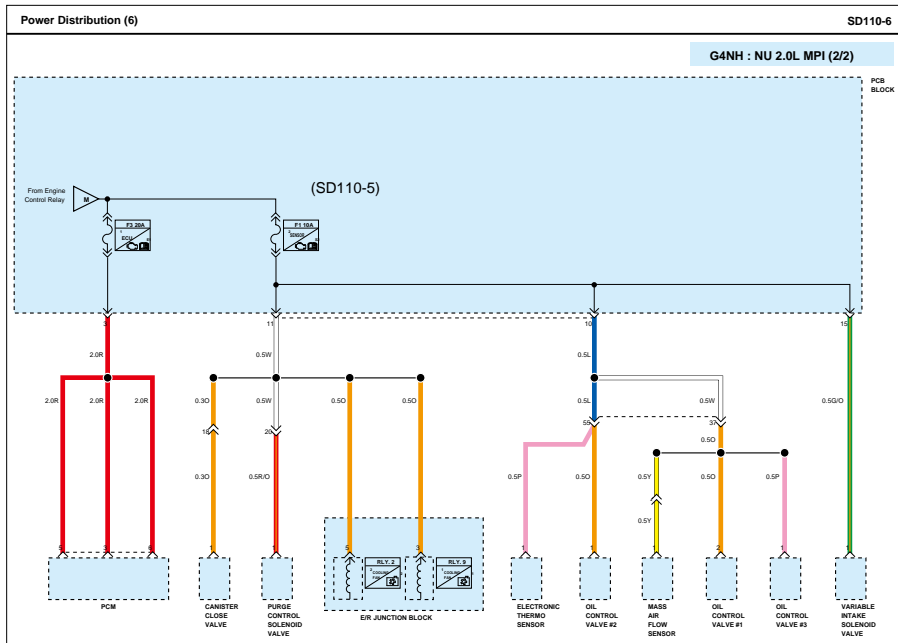
Power Distribution (4)

SD110-4



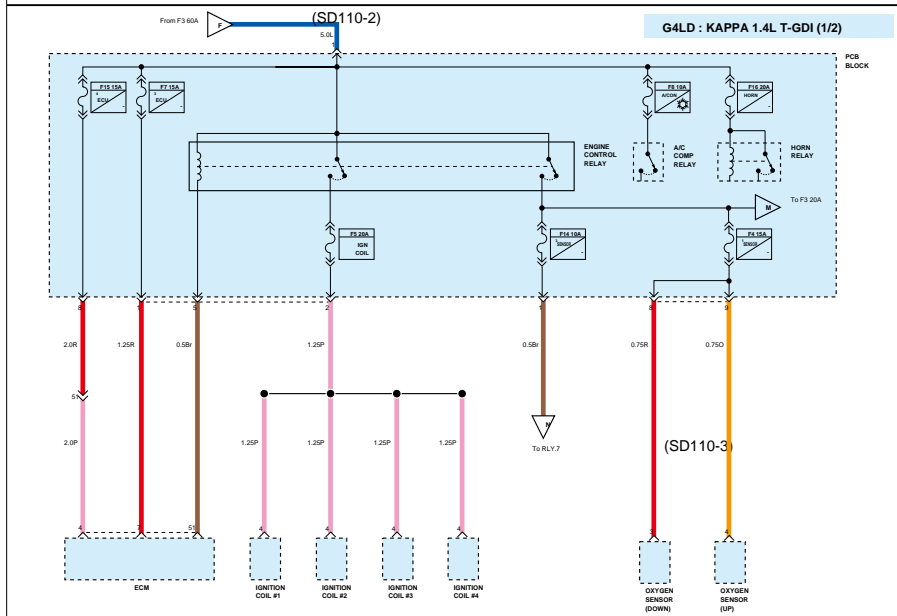


(SD110-6)



Power Distribution (7)

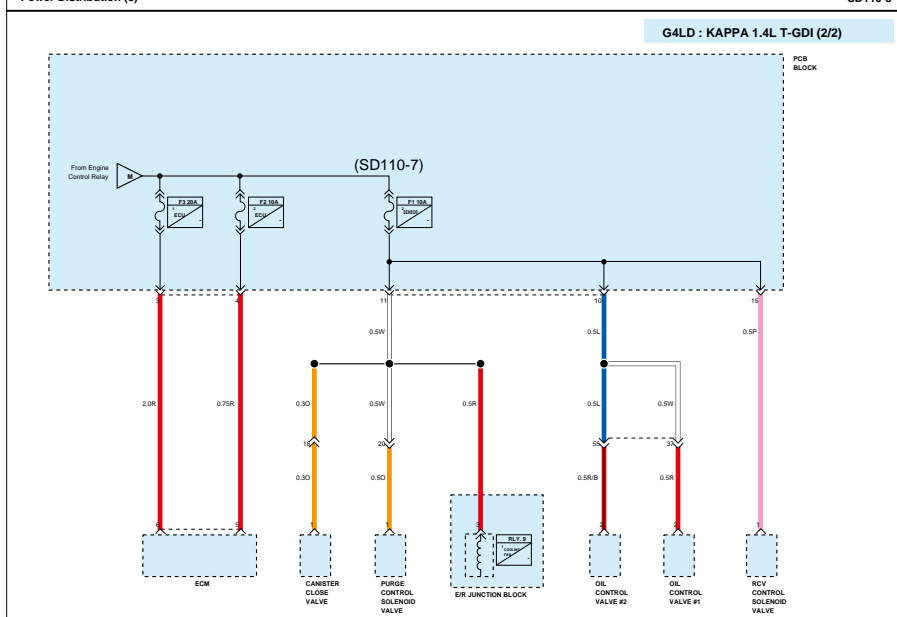
SD110-7

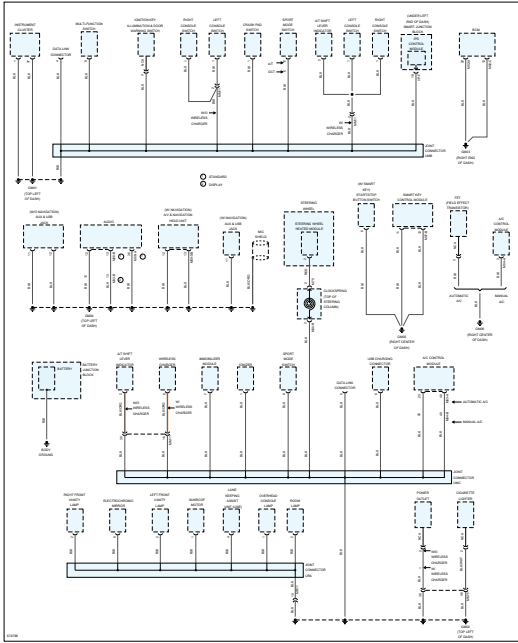


(SD110-8)

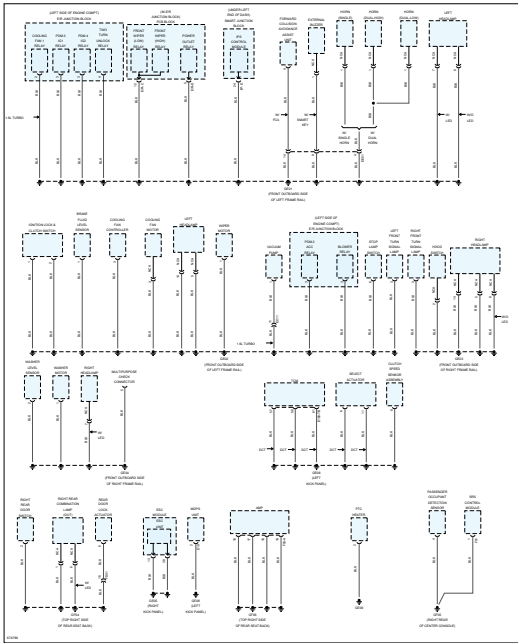
Power Distribution (8)

SD110-8

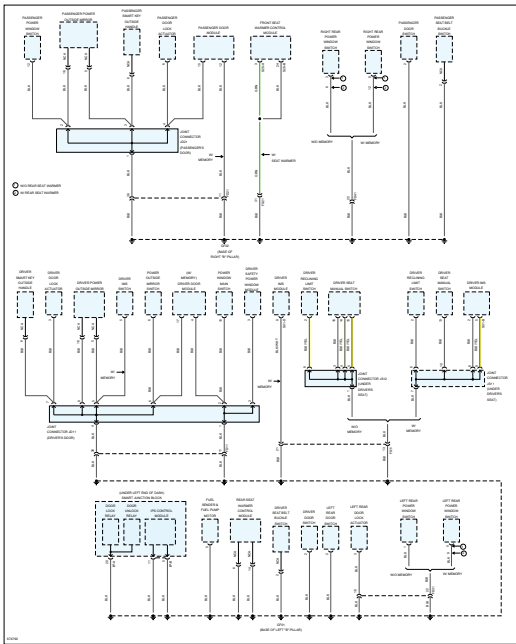




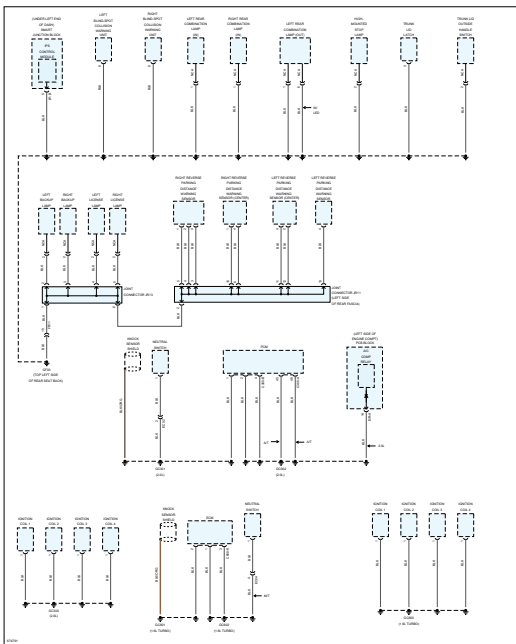
Page 2 of 4



Page 3 of 4



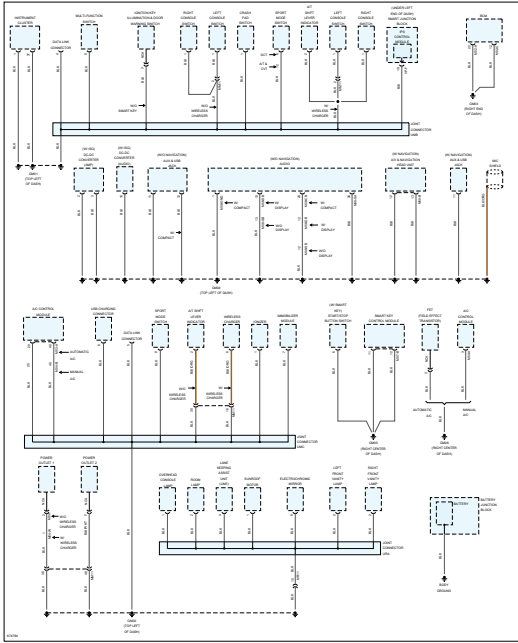
Page 4 of 4



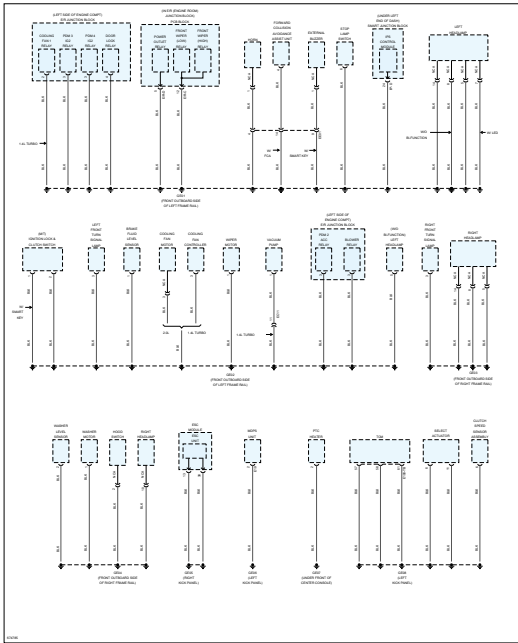
Ground Distribution - ADA (Article 10641)

Ground Distribution - ADA

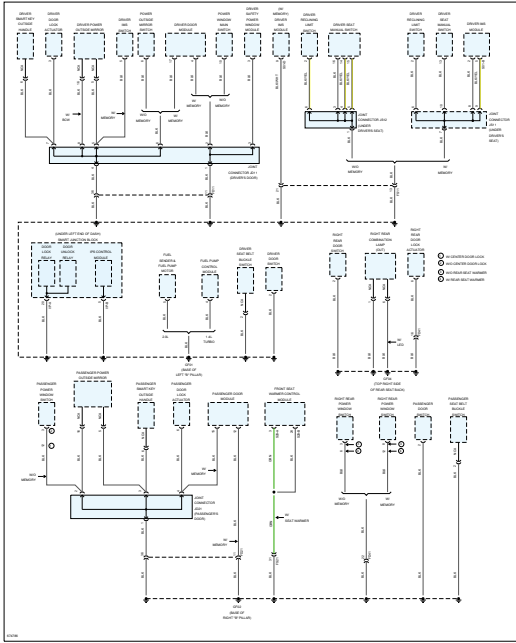
Page 1 of 4



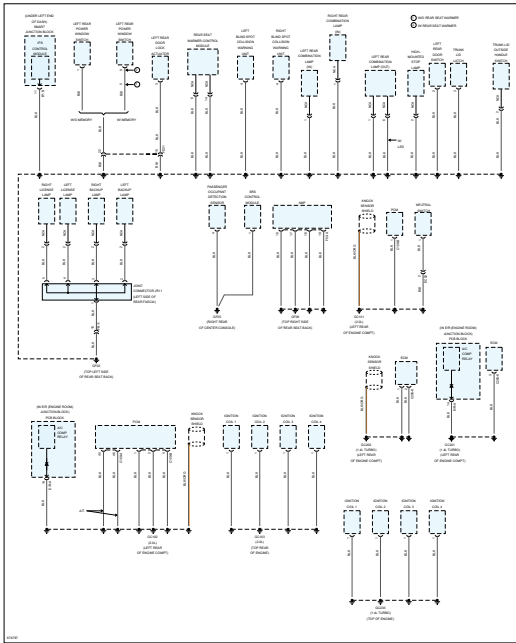
Page 2 of 4



Page 3 of 4



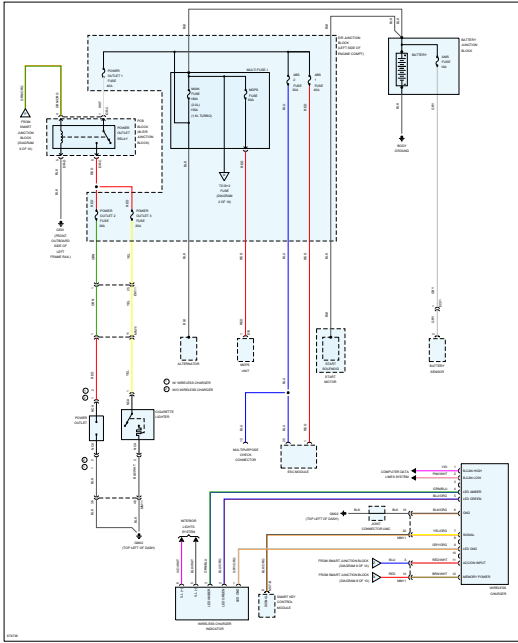
Page 4 of 4



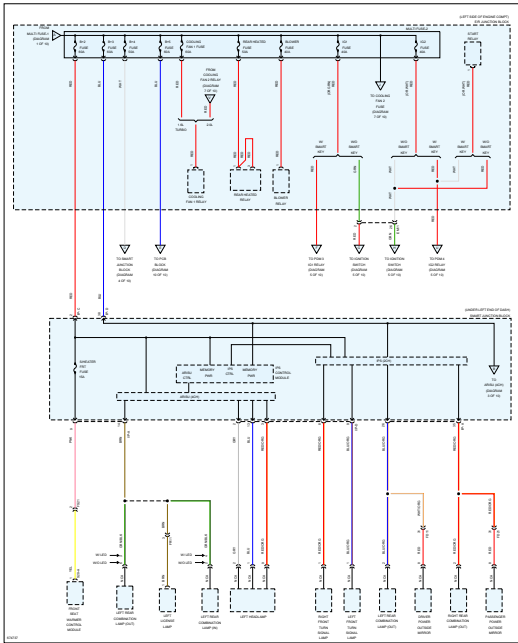
Power Distribution - AD (Article 12247)

Power Distribution - AD

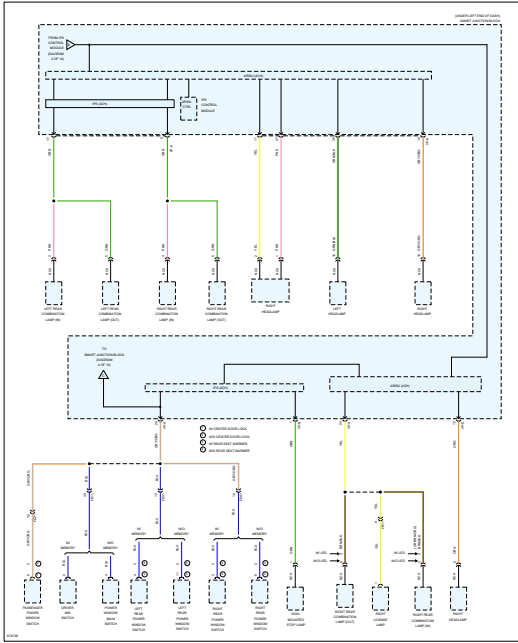
Page 1 of 10



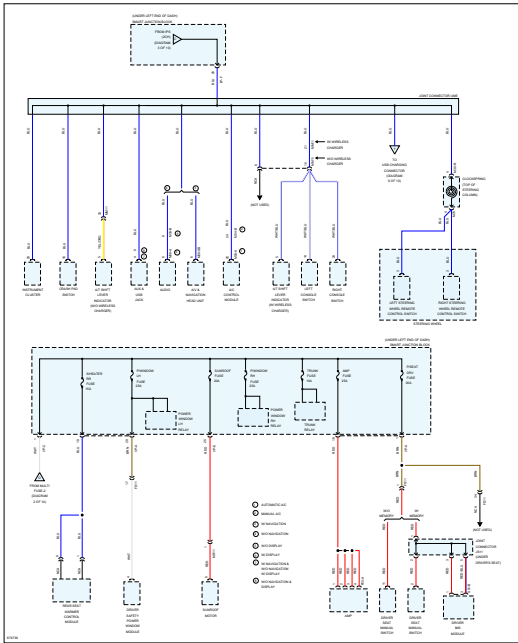
Page 2 of 10



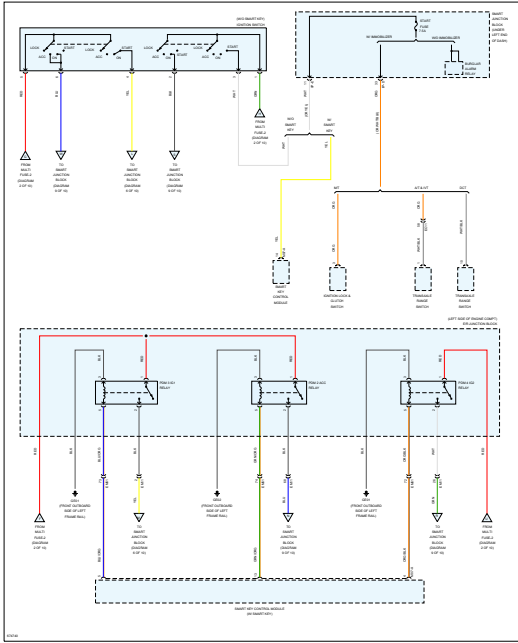
Page 3 of 10



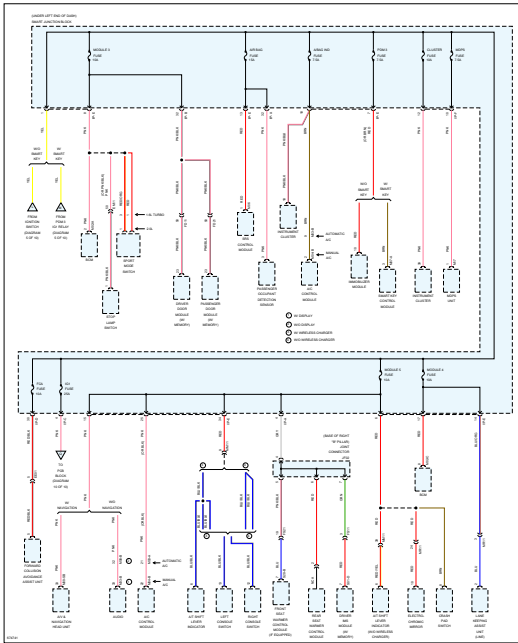
Page 4 of 10



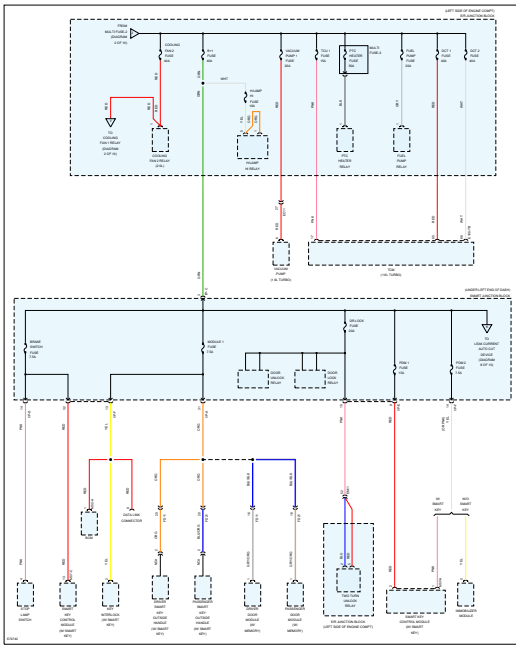
Page 5 of 10



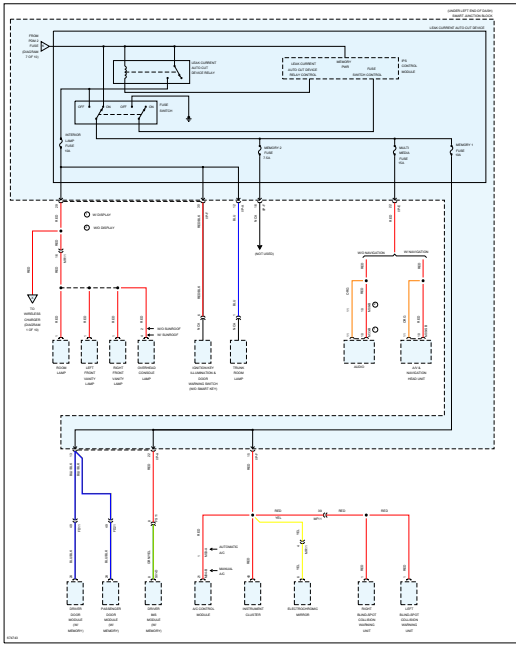
Page 6 of 10



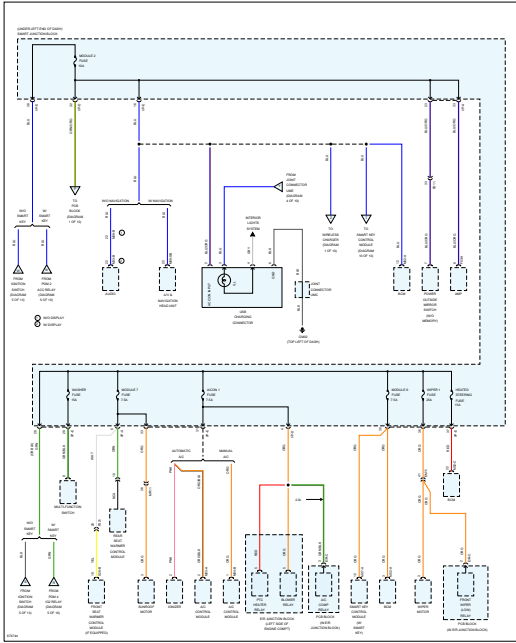
Page 7 of 10



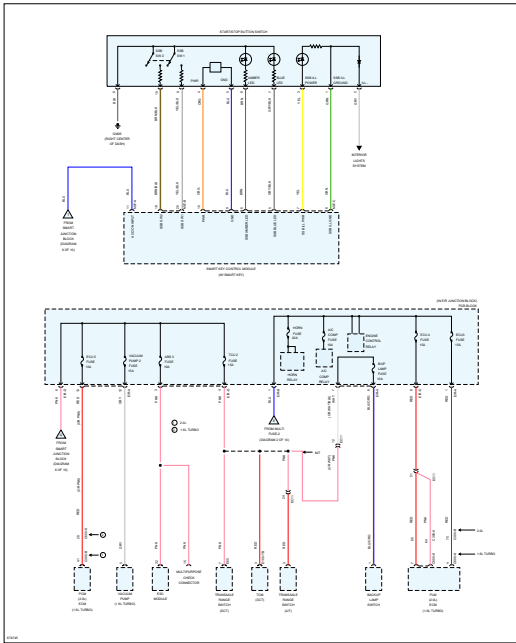
Page 8 of 10



Page 9 of 10



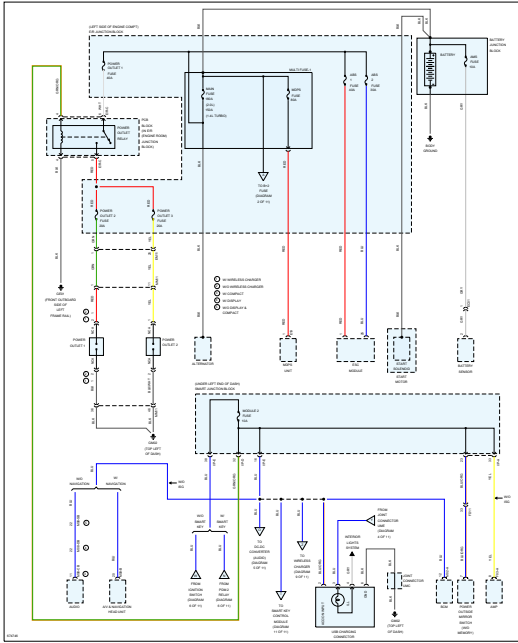
Page 10 of 10



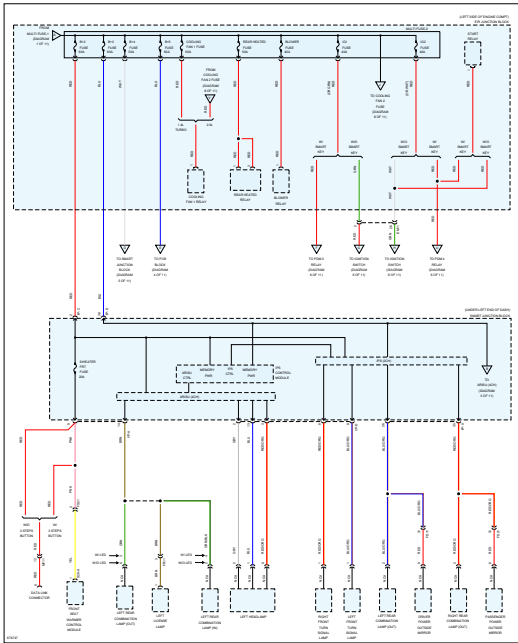
Power Distribution - ADA (Article 12236)

Power Distribution - ADA

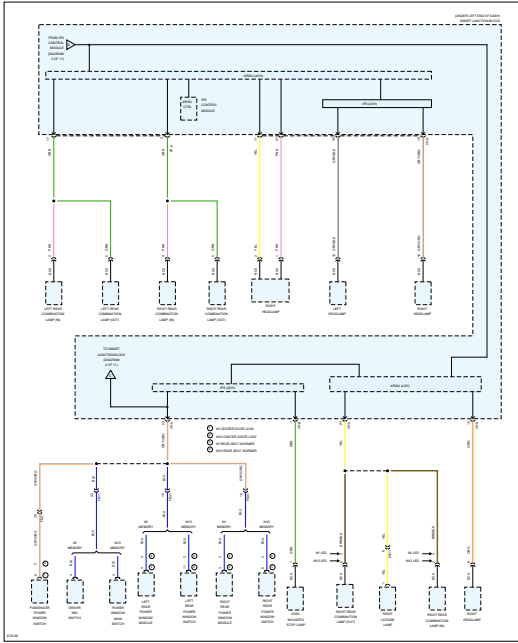
Page 1 of 11



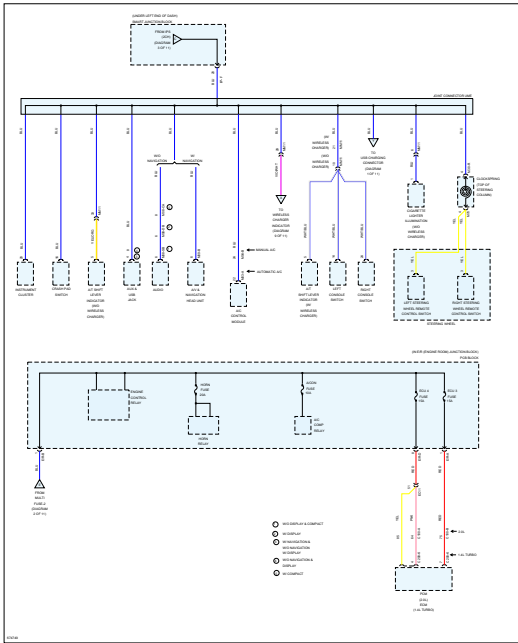
Page 2 of 11



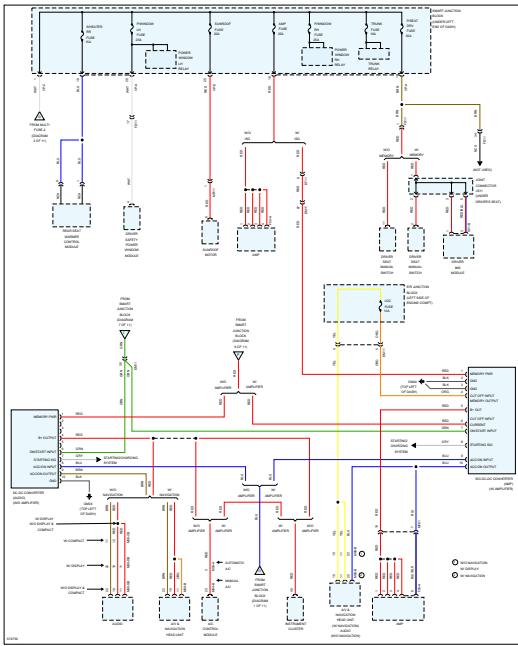
Page 3 of 11



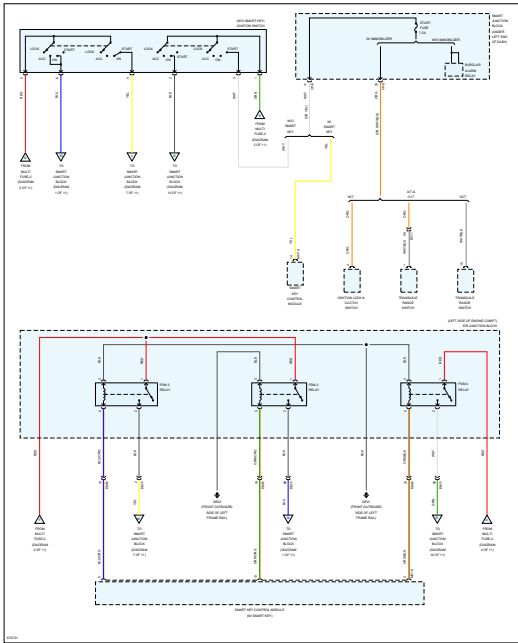
Page 4 of 11



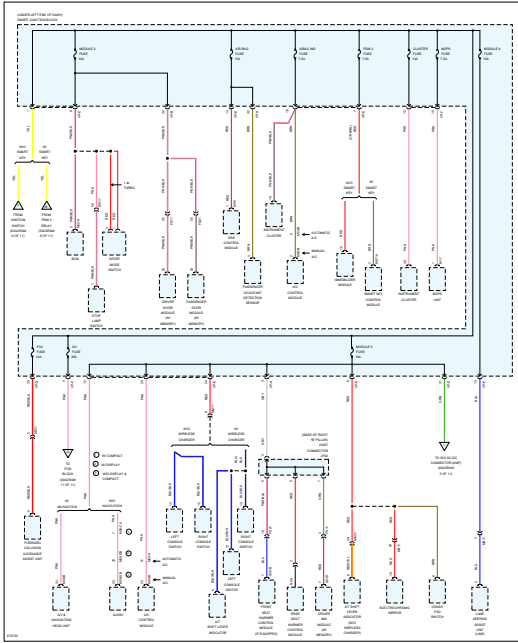
Page 5 of 11



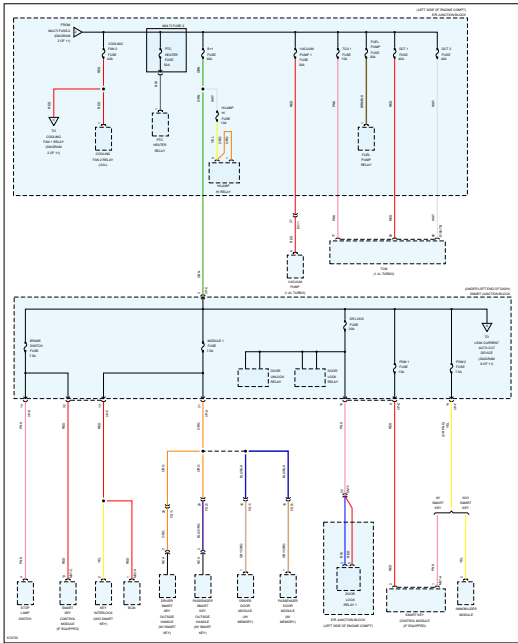
Page 6 of 11



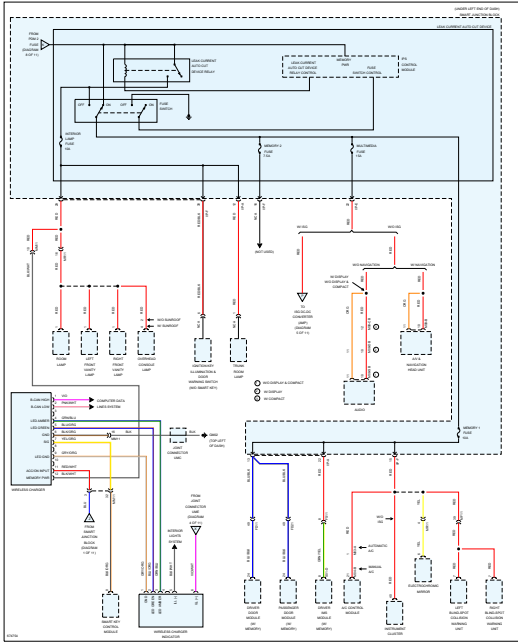
Page 7 of 11



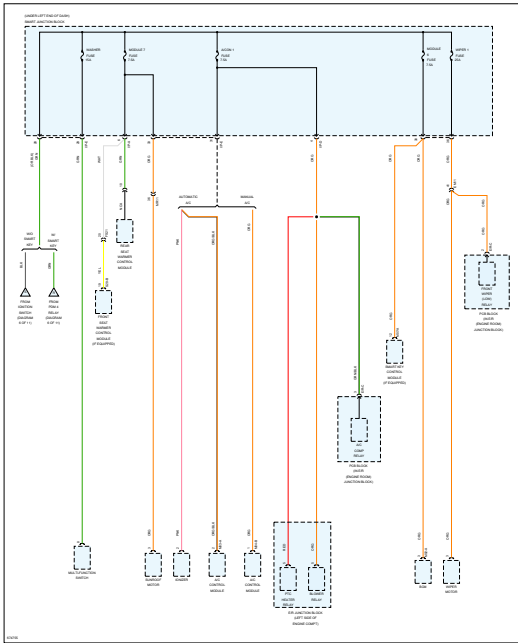
Page 8 of 11



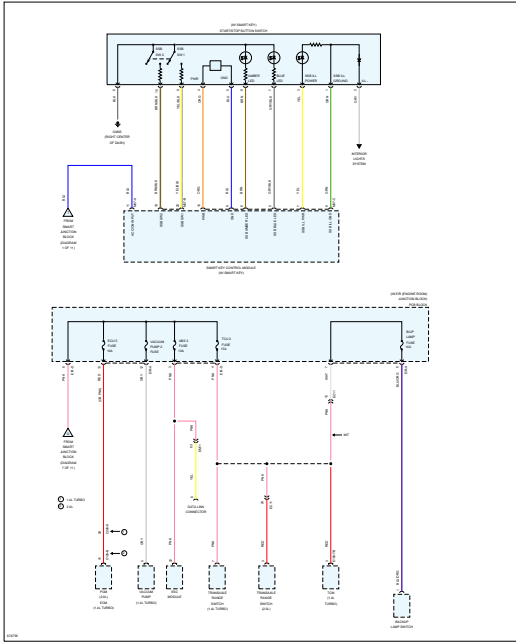
Page 9 of 11



Page 10 of 11

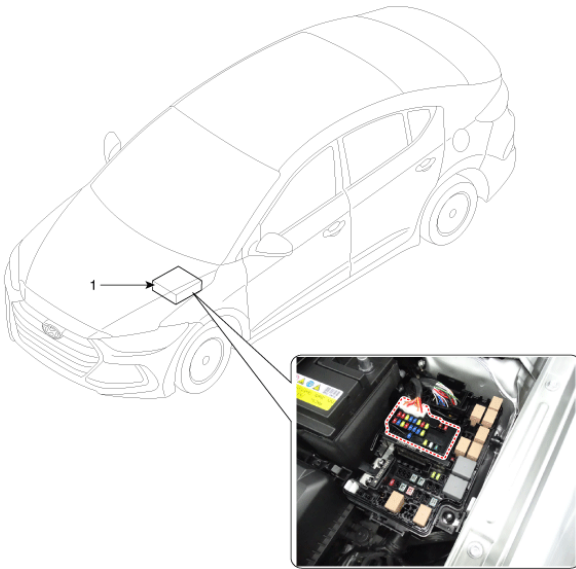


Page 11 of 11

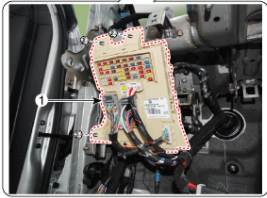


Fuses and Relays - Components and Components Location (Article 44574)

- Component Location
[Engine Room]



1. Engine room junction block
[Interior Relay]



1. Smart junction block (SJB)

All New Technical Service Bulletins (itype_432)

Tsbs

- PIN TENSION GAUGE GUIDE (25-SST-001H, 2025/08/29)

All Technical Service Bulletins (itype_100)

Tsbs

- PIN TENSION GAUGE GUIDE (25-SST-001H, 2025/08/29)

Tools and Equipment (itype_113)

Tsbs

- PIN TENSION GAUGE GUIDE (25-SST-001H, 2025/08/29)