

Component Procedures: Interior Moulding / Trim

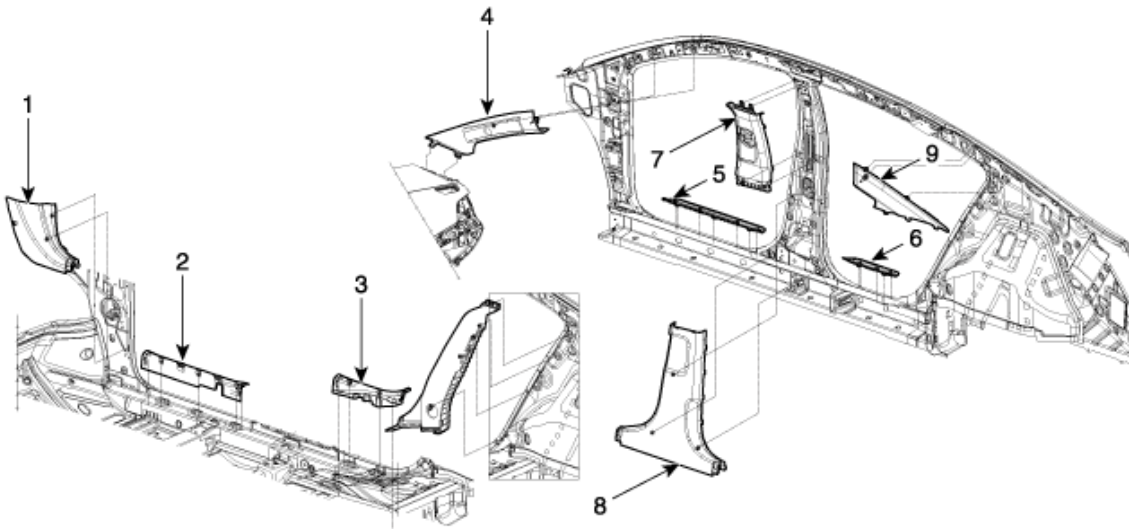
Table of Contents

1. Interior Trim - Components and Components Location (Article 45034)
2. Roof Trim - Components and Components Location (Article 45026)
3. All Technical Service Bulletins (itype_100)

Component Procedures: Interior Moulding / Trim

Interior Trim - Components and Components Location (Article 45034)

- Components

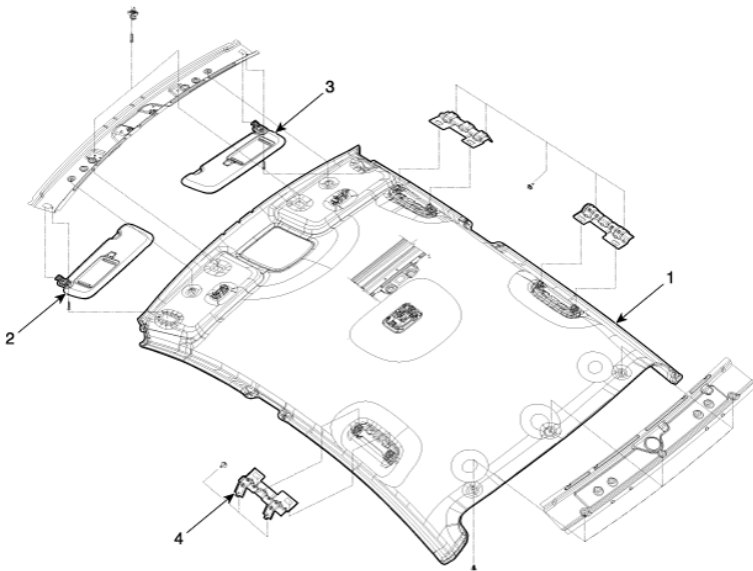


1. Cowl side trim 2. Front door scuff trim 3. Rear door scuff trim 4. Front pillar trim 5. Front door step trim 6. Rear door step trim 7. Center pillar upper trim 8. Center pillar lower trim 9. Rear pillar trim

Roof Trim - Components and Components Location (Article 45026)

- Components (1)

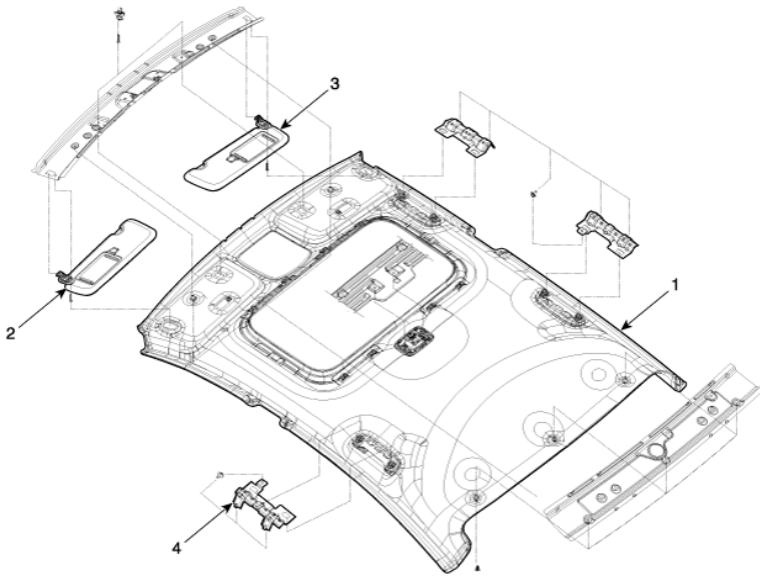
[General Type]



1. Roof trim 2. Sunvisor [LH] 3. Sunvisor [RH] 4. Assist handle

- Components (2)

[Sunroof Type]



All Technical Service Bulletins (itype_100)

Tsbs

- DOOR TRIM PANEL INSPECTION AND SERVICE GUIDE (23-BD-005H, 2023/03/13)