

Component Procedures: Radio, Stereo, and Compact Disc

Table of Contents

1. Parts and Labor (itype_189)
2. A/V and Navigation - Schematic Diagrams (Article 42512)
3. Audio System - Display (Audio) (Article 42565)
4. Audio System - Standard - Schematic Diagrams (Audio) (Article 42567)
5. Audio System -Compact (Article 42563)
6. Sound Systems - AD W/O Navigation & Display (Article 10121)
7. Sound Systems - ADA W/O Navigation & Display W/ Compact (Article 10086)
8. Sound Systems - ADA W/O Navigation Display & Compact (Article 10129)
9. Sound Systems - W/ Navigation & Amplifier (Article 10117)
10. Sound Systems - W/ Navigation W/O Amplifier (Article 10063)
11. Sound Systems - W/O Navigation W/ Display & Amplifier (Article 10040)
12. Sound Systems - W/O Navigation W/ Display W/O Amplifier (Article 10003)
13. AVN (Audio Video Navigation) Head Unit - Components and Components Location (Article 44751)
14. Audio - Components and Components Location (Article 44735)
15. AVN (Audio Video Navigation) Head Unit - Repair Procedures (Article 44753)
16. Audio - Specifications (Article 44734)
17. All Technical Service Bulletins (itype_100)
18. OEM Policies and Procedures (itype_120)

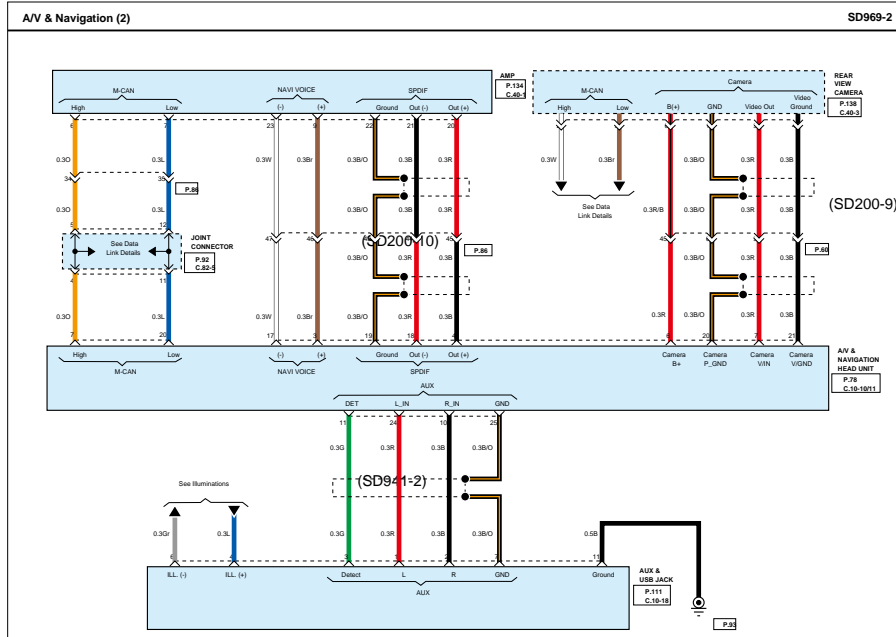
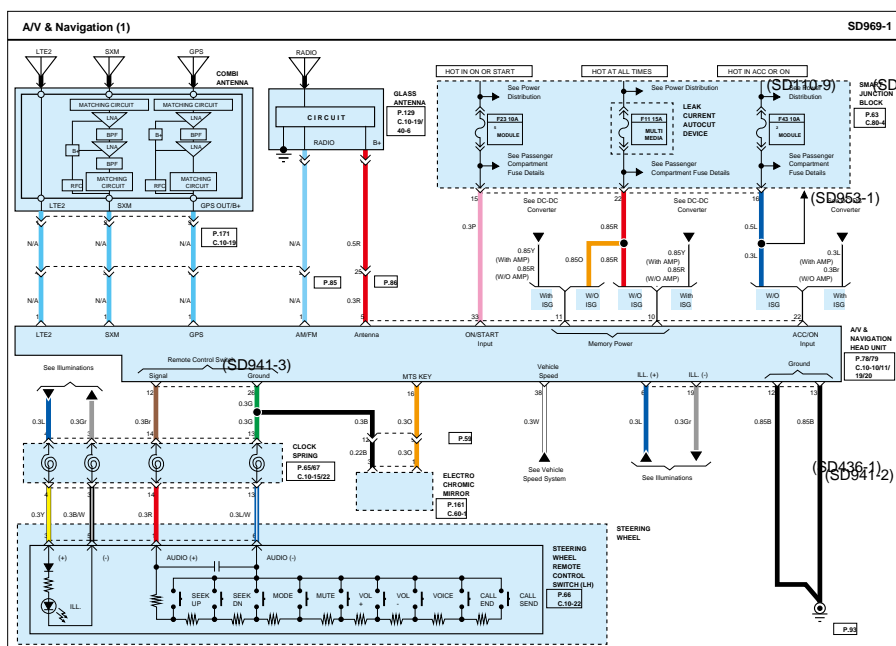
Component Procedures: Radio, Stereo, and Compact Disc

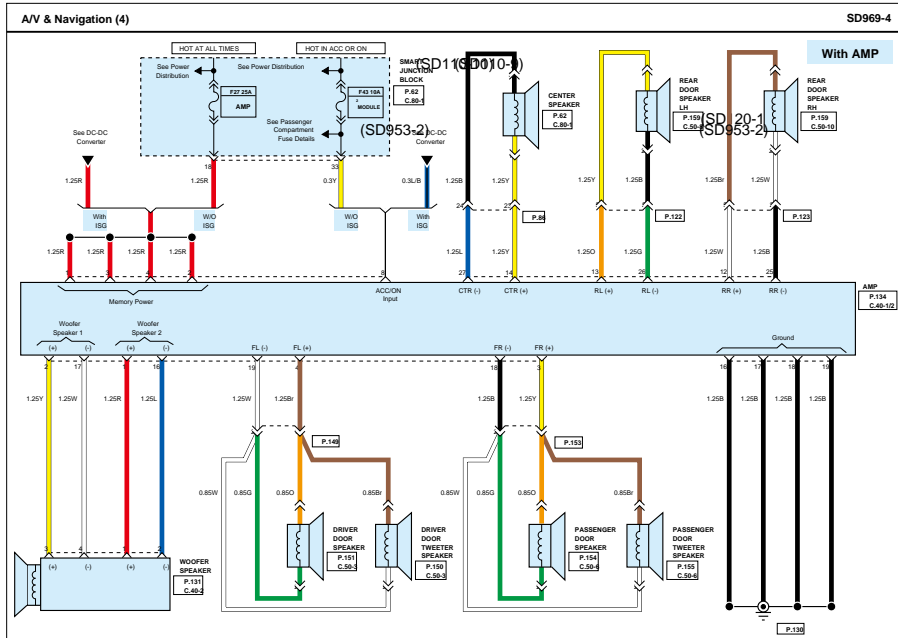
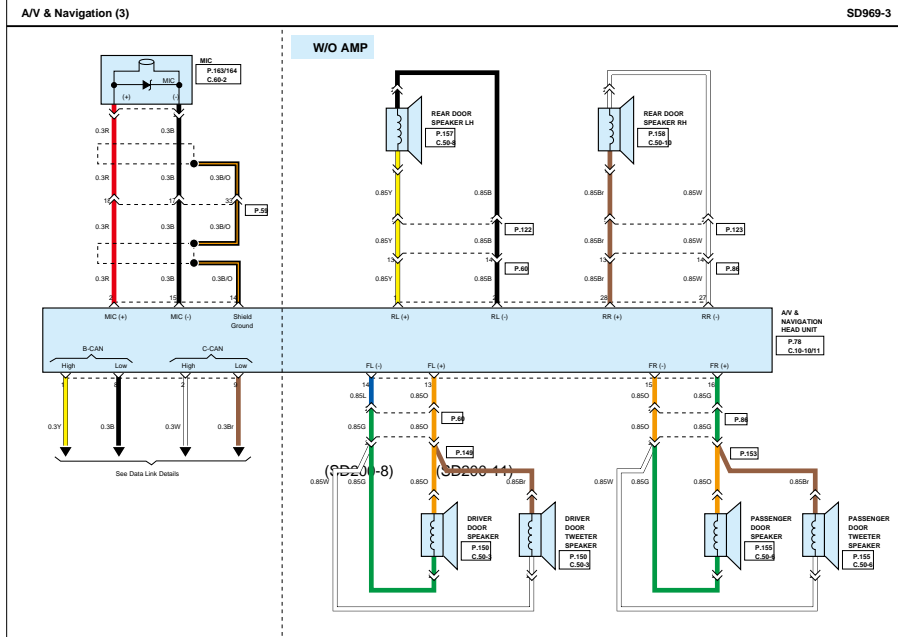
Parts and Labor (itype_189)

Labor

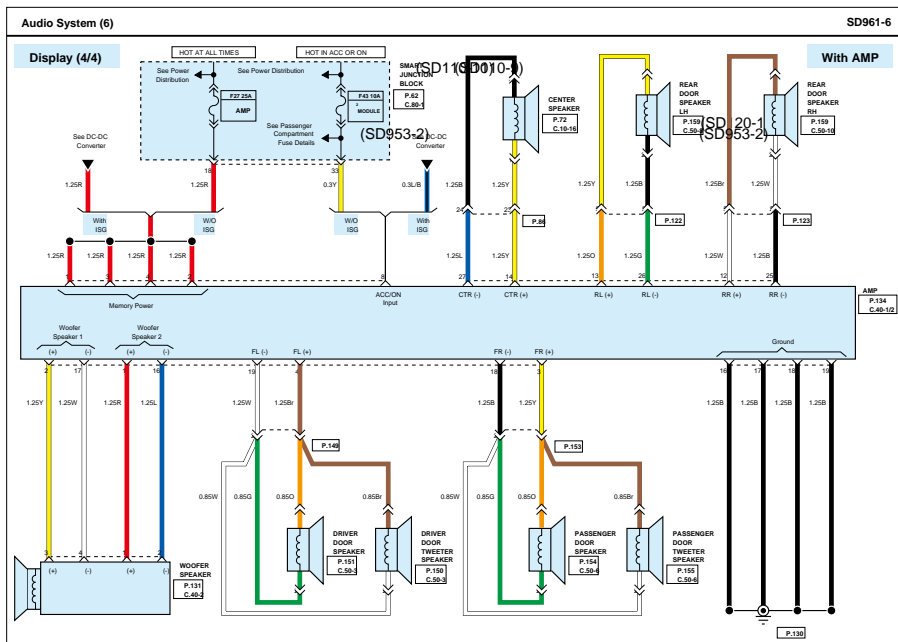
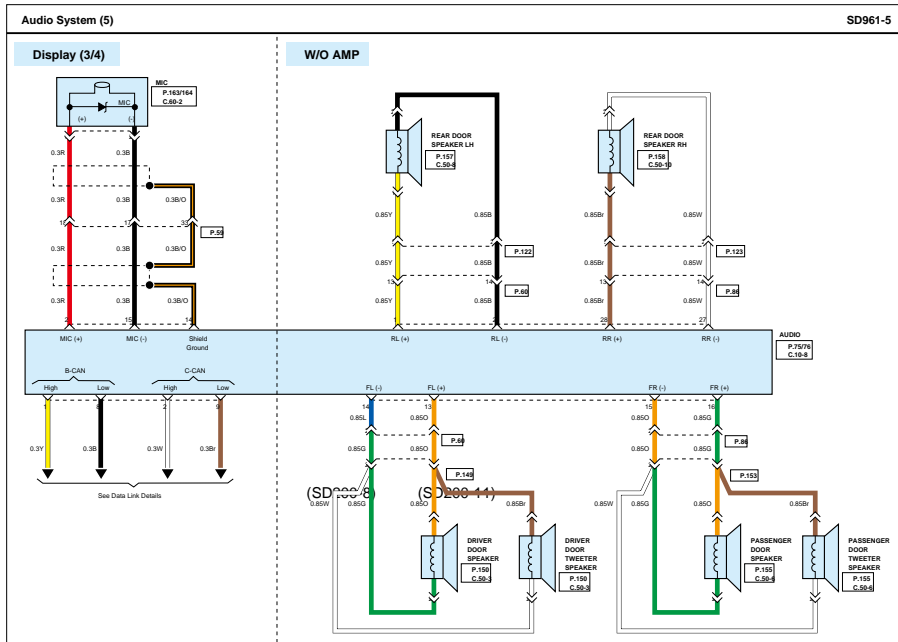
Operation	Qualifier Path	Skill	Std Hrs	Wty Hrs
Remove & Replace	Antenna & Radio > Radio, R&R	B	0.8	0.0
Remove & Replace	Antenna & Radio > Speaker, R&R > Center Speak?	B	0.3	0.0
Remove & Replace	Antenna & Radio > Speaker, R&R > Front Speake?	B	0.7	0.0
Remove & Replace	Antenna & Radio > Speaker, R&R > Front Speake?	B	1.2	0.0
Remove & Replace	Antenna & Radio > Speaker, R&R > Rear Door Sp?	B	0.7	0.0
Remove & Replace	Antenna & Radio > Speaker, R&R > Rear Door Sp?	B	1.2	0.0
Remove & Replace	Antenna & Radio > Speaker, R&R > Sub Woofer	B	1.3	0.0
Remove & Replace	Antenna & Radio > Speaker, R&R > Tweeter Spea?	B	0.7	0.0
Remove & Replace	Antenna & Radio > Speaker, R&R > Tweeter Spea?	B	1.2	0.0

A/V and Navigation - Schematic Diagrams (Article 42512)

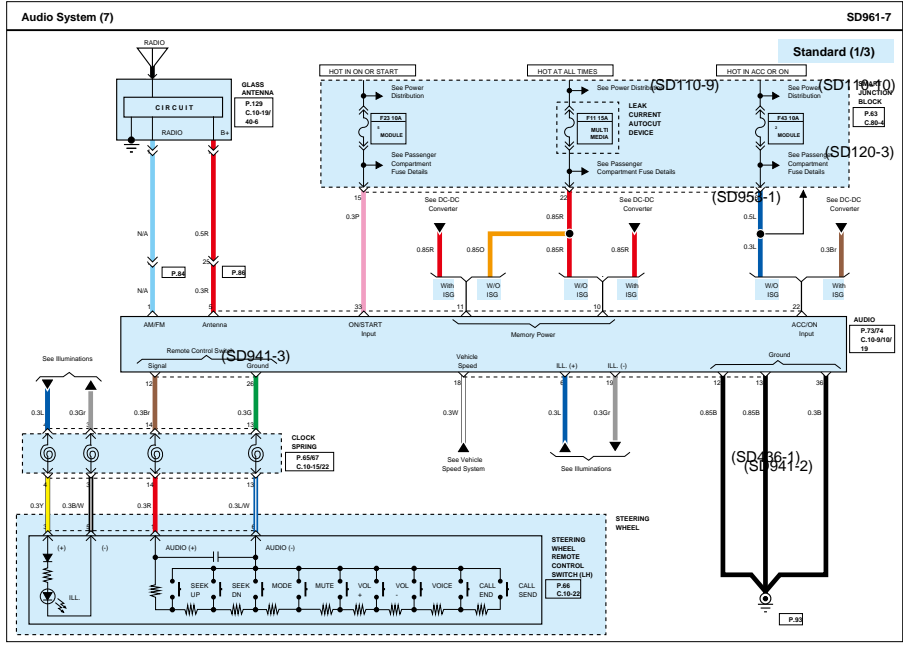




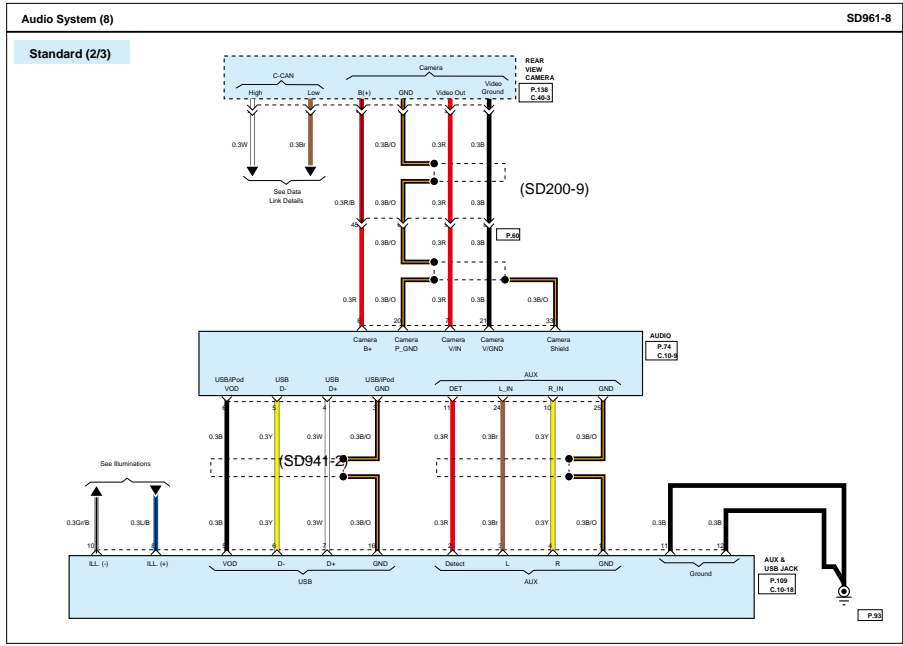
Audio System - Display (Audio) (Article 42565)

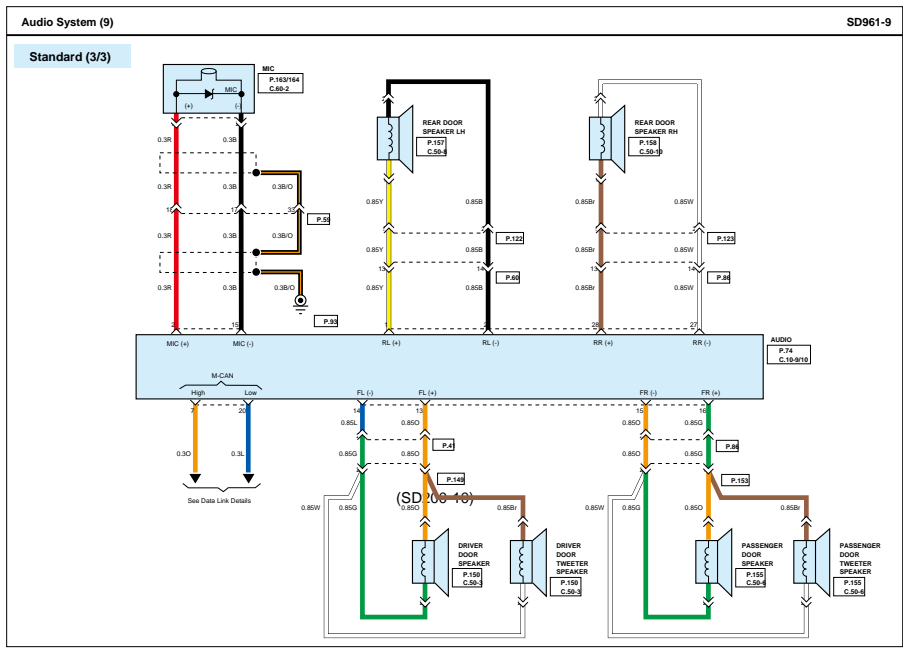


Audio System - Standard - Schematic Diagrams (Audio) (Article 42567)

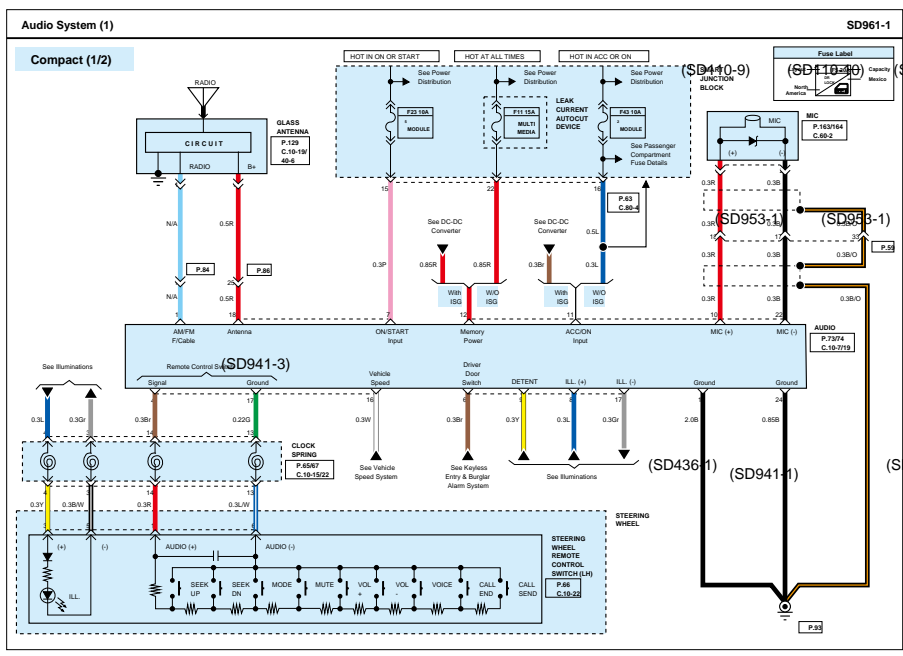


(SD110-9)
 (SD120-9)
 (SD953-1)
 (SD120-1)
 (SD953-1)





Audio System -Compact (Article 42563)



(SD120-1)

(SD110-9)

(SD814-1)

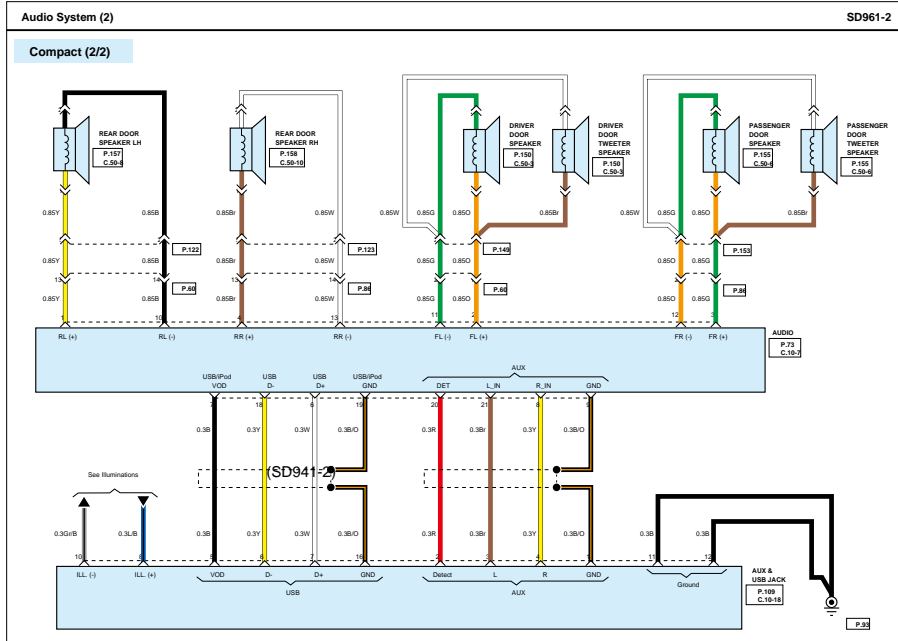
(SD941-1)

(SD436-1)

(SD953-1)

(SD953-1)

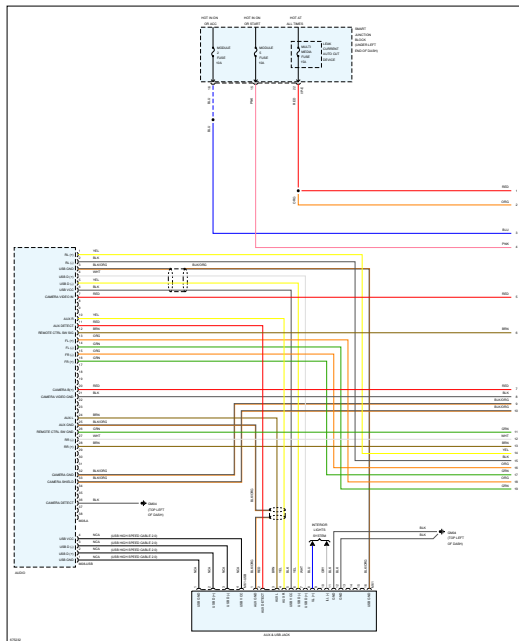
(SD940-9)



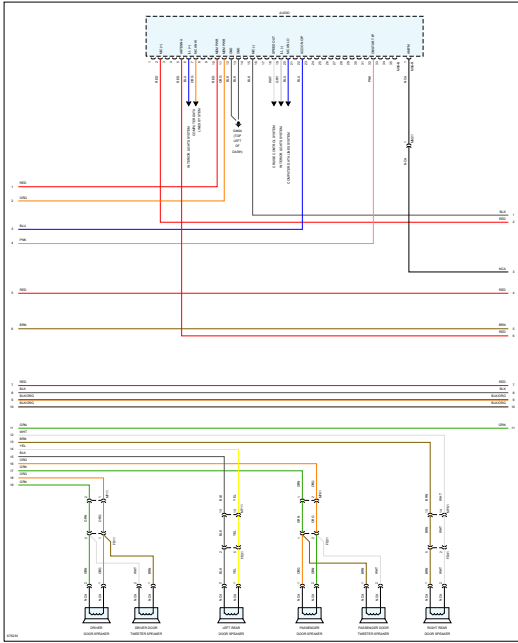
Sound Systems - AD W/O Navigation & Display (Article 10121)

Sound Systems - AD W/O Navigation & Display

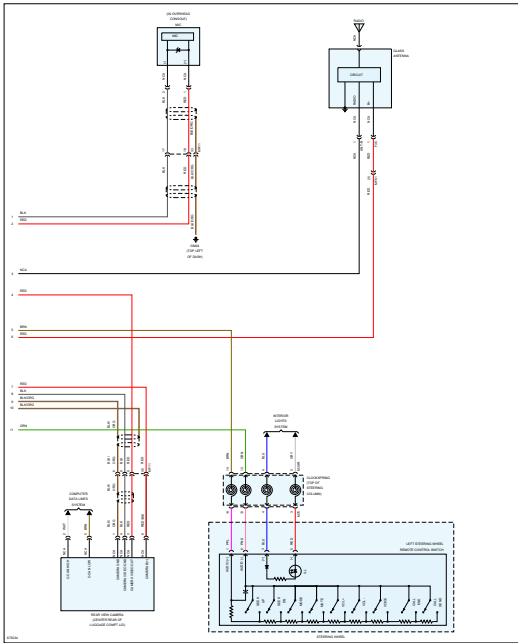
Page 1 of 3



Page 2 of 3



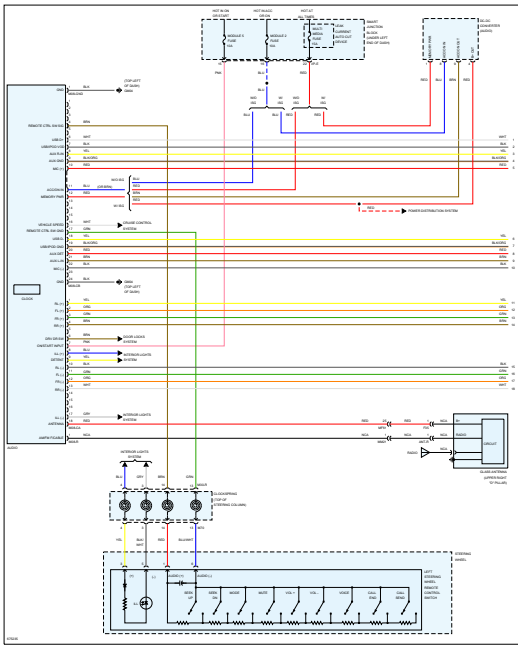
Page 3 of 3



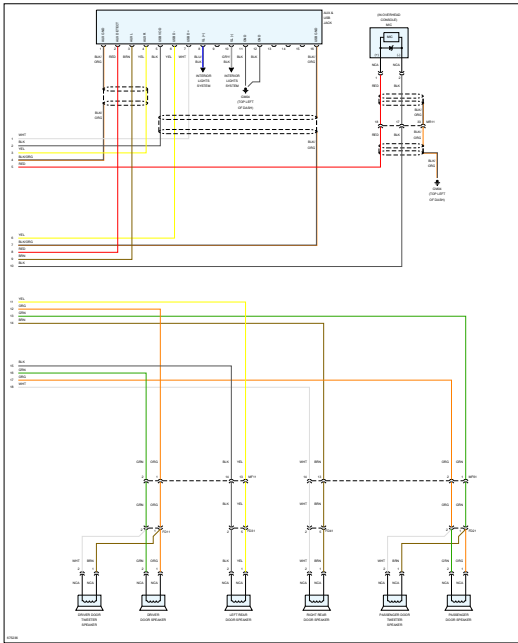
Sound Systems - ADA W/O Navigation & Display W/ Compact (Article 10086)

Sound Systems - ADA W/O Navigation & Display W/ Compact

Page 1 of 2



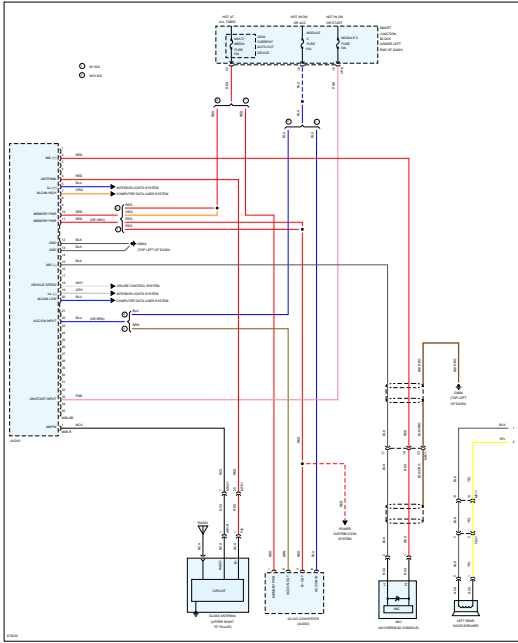
Page 2 of 2



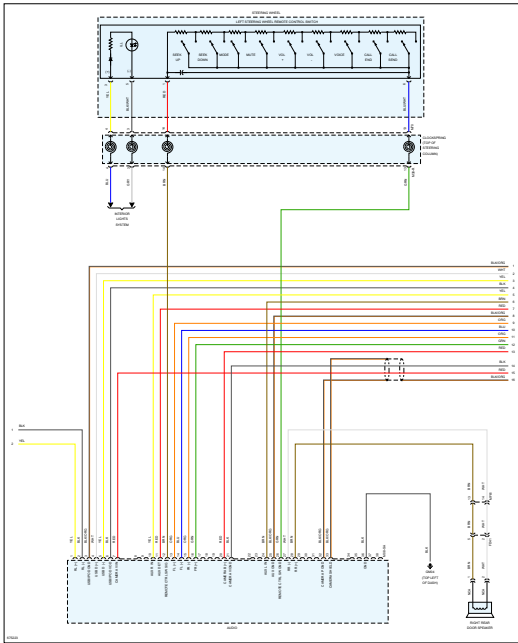
Sound Systems - ADA W/O Navigation Display & Compact (Article 10129)

Sound Systems - ADA W/O Navigation Display & Compact

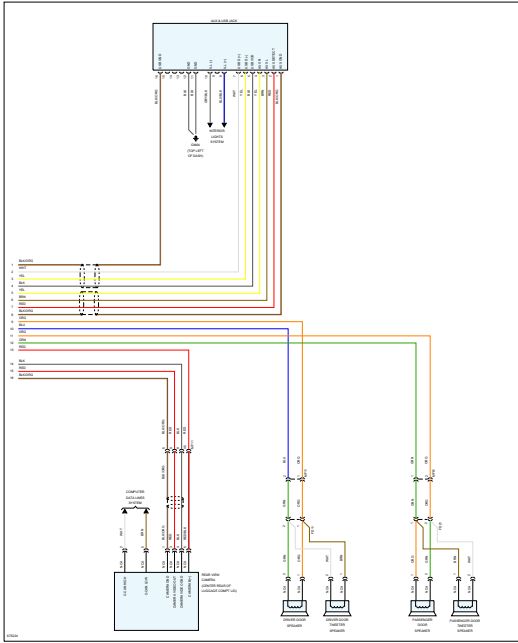
Page 1 of 3



Page 2 of 3



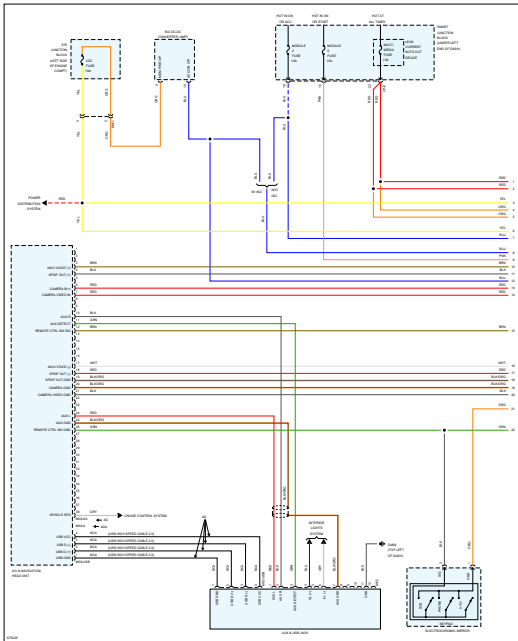
Page 3 of 3



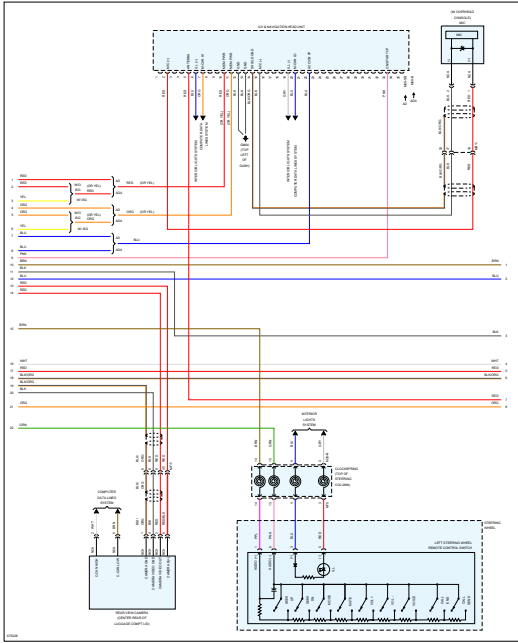
Sound Systems - W/ Navigation & Amplifier (Article 10117)

Sound Systems - W/ Navigation & Amplifier

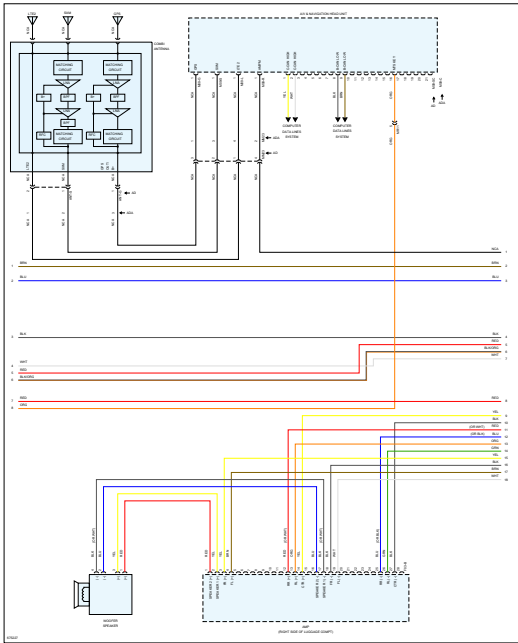
Page 1 of 4



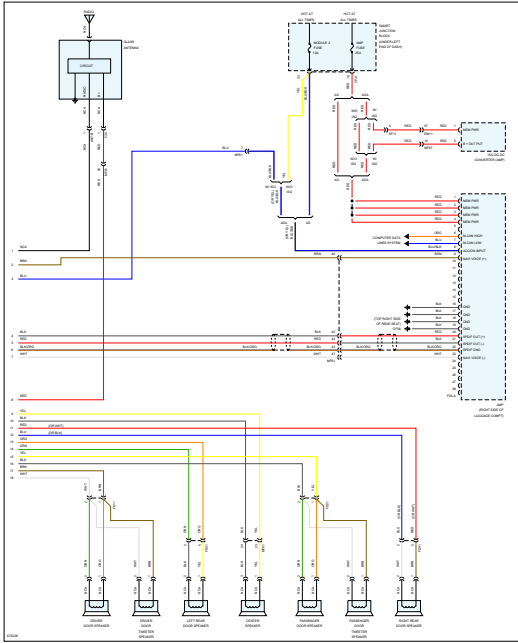
Page 2 of 4



Page 3 of 4



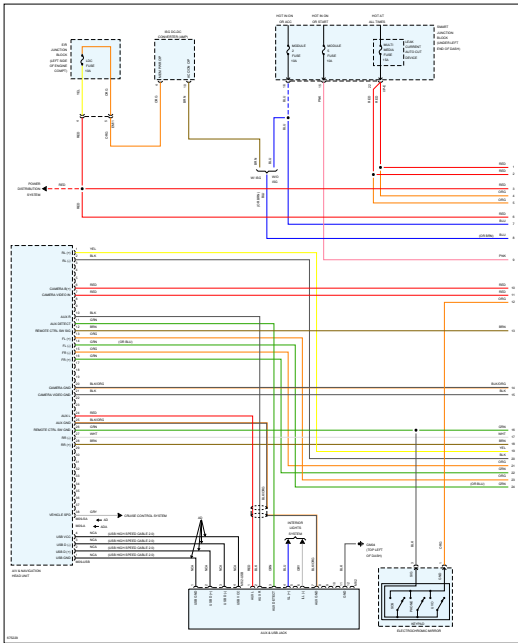
Page 4 of 4



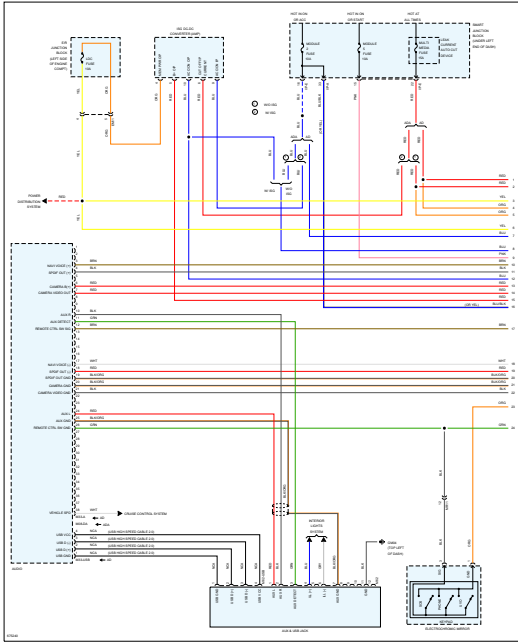
Sound Systems - W/ Navigation W/O Amplifier (Article 10063)

Sound Systems - W/ Navigation W/O Amplifier

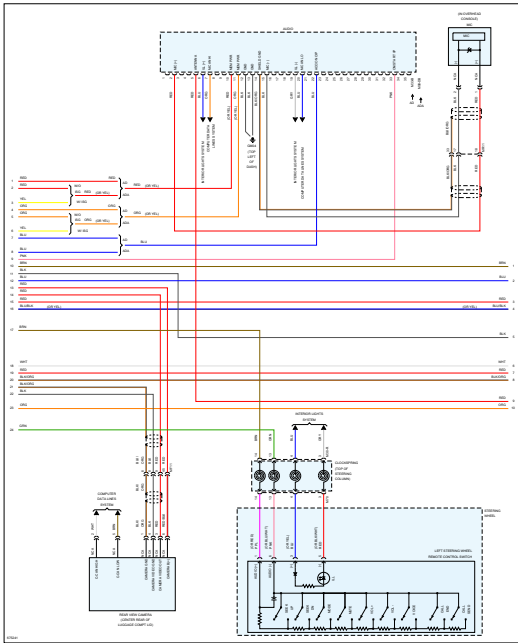
Page 1 of 3



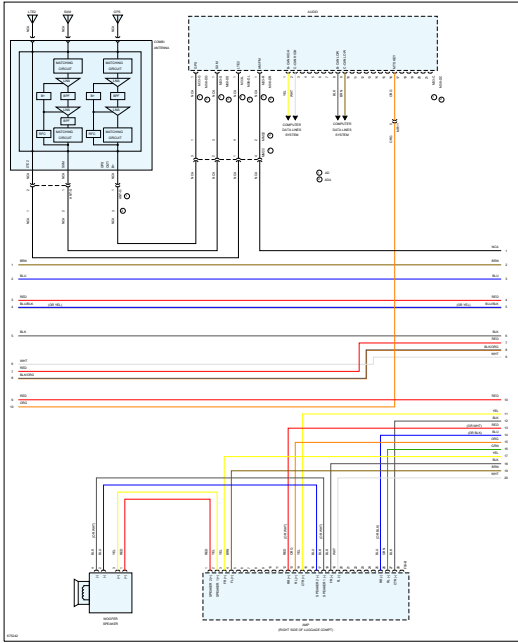
Page 2 of 3



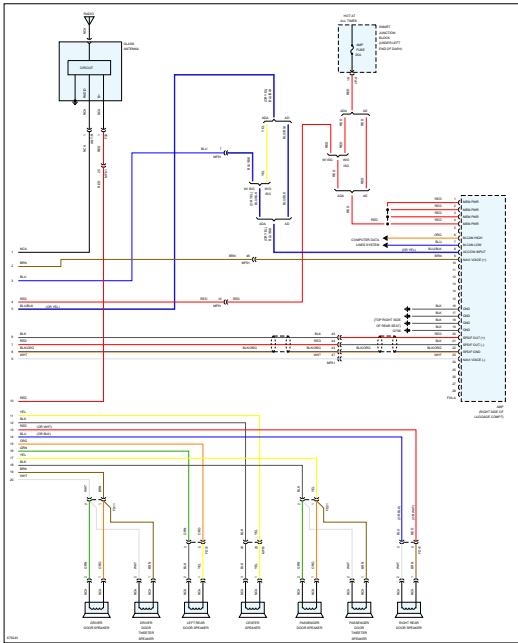
Page 2 of 4



Page 3 of 4



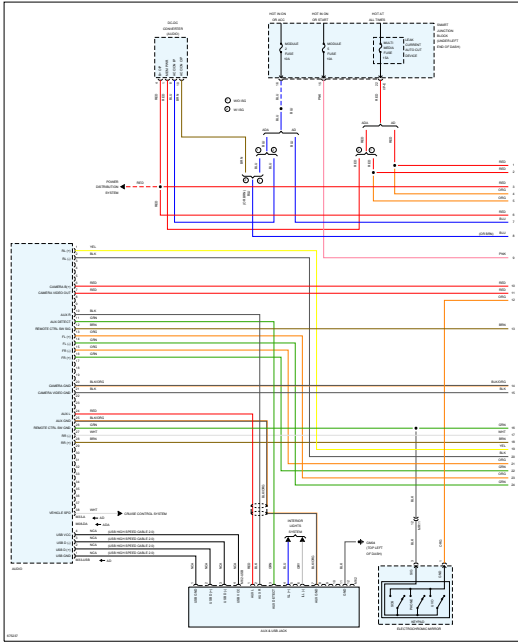
Page 4 of 4



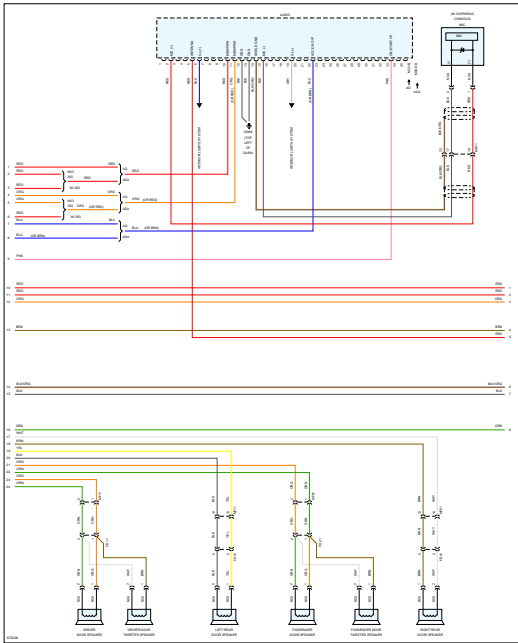
Sound Systems - W/O Navigation W/ Display W/O Amplifier (Article 10003)

Sound Systems - W/O Navigation W/ Display W/O Amplifier

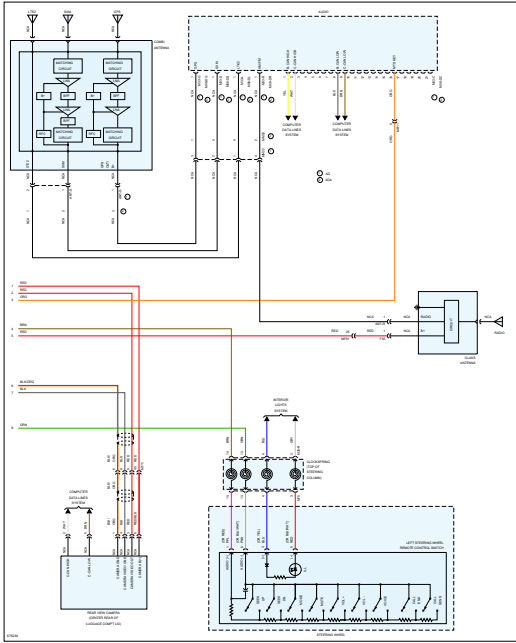
Page 1 of 3



Page 2 of 3

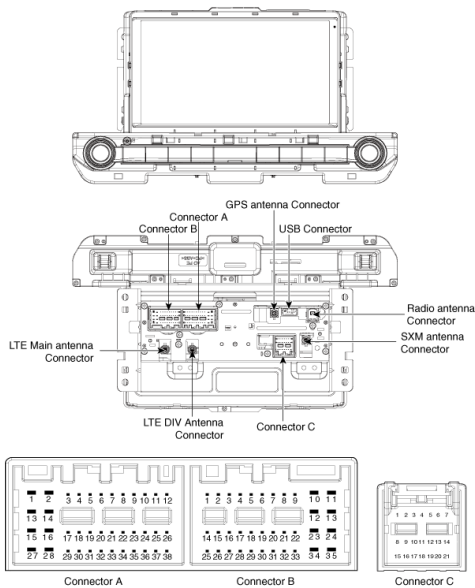


Page 3 of 3



AVN (Audio Video Navigation) Head Unit - Components and Components Location (Article 44751)

- Components

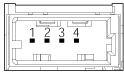
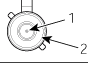
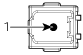
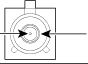
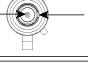
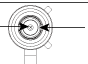


Connector Pin Information

No Connector A (Int AMP) Connector A (Ext AMP) Connector B Connector C

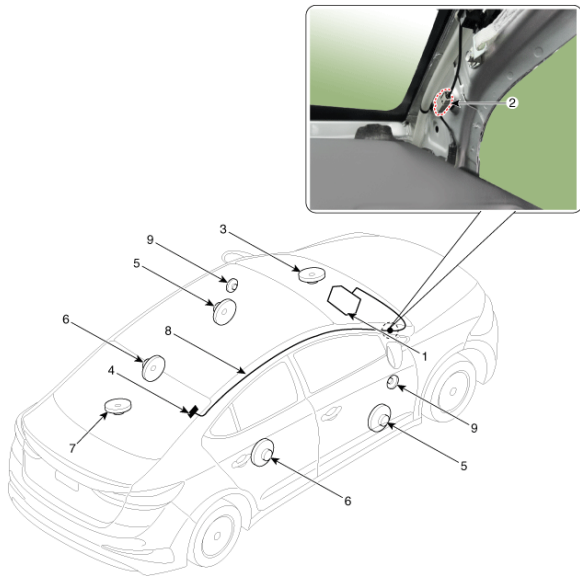
- 1 Rear left speaker (+) - - Body CAN (HI)
- 2 Rear left speaker (-) - MIC Signal (+) Chassis CAN (HI)
- 3 - AMP Navi Voice (+) - -
- 4 - AMP SPDIF (HI) - -
- 5 - - Antenna Power -
- 6 Camera Power Camera Power ILL (+) -
- 7 Camera Video Camera Video MM CAN (HI) -
- 8 - - - Body CAN (LOW)
- 9 - - - Chassis CAN (LOW)
- 10 AUX Audio (RH) AUX Audio (RH) B+ -
- 11 AUX Detect AUX Detect B+ -
- 12 Steering wheel remote Steering wheel remote GND -
- 13 Front left speaker (+) - GND -

- 14 Front left speaker (-) - MIC GND -
- 15 Front right speaker (-) - MIC Signal (-) -
- 16 Front right speaker (+) - - MTS Key
- 17 - AMP Navi Voice (-) - -
- 18 - AMP SPDIF (LOW) - -
- 19 - AMP SPDIF GND - -
- 20 Camera Power GND Camera Power GND MM CAN (LOW) -
- 21 Camera Video GND Camera Video GND - -
- 22 - - ACC
- 23 - - -
- 24 AUX Audio (LH) AUX Audio (LH) -
- 25 AUX Audio GDN AUX Audio GDN -
- 26 Steering wheel remote GND Steering wheel remote GND -
- 27 Rear right speaker (-) - -
- 28 Rear right speaker (+) - -
- 29 - - -
- 30 - - -
- 31 - - -
- 32 - - -
- 33 - - IGN 1
- 34 - - -
- 35 - - -
- 36 - -
- 37 - -
- 38 Speed Speed

	PIN	Description	PIN	Description
	1	USB VOD 5V	3	USB (+)
	2	USB (-)	4	USB GND
	PIN	Description	PIN	Description
1	Signal	2	GND	
	PIN	Description	PIN	Description
1	FM1/AM	2	-	
	PIN	Description	PIN	Description
1	Signal	2	Ground	
	PIN	Description	PIN	Description
1	Signal	2	Ground	
	PIN	Description	PIN	Description
1	Signal	2	Ground	

Audio - Components and Components Location (Article 44735)

- Component Location



1. Audio unit 2. Feeder cable joint connector 3. Center speaker 4. Glass antenna amplifier 5. Front door speaker 6. Rear door speaker 7. Sub woofer speaker 8. Antenna feeder cable 9. Tweeter speaker

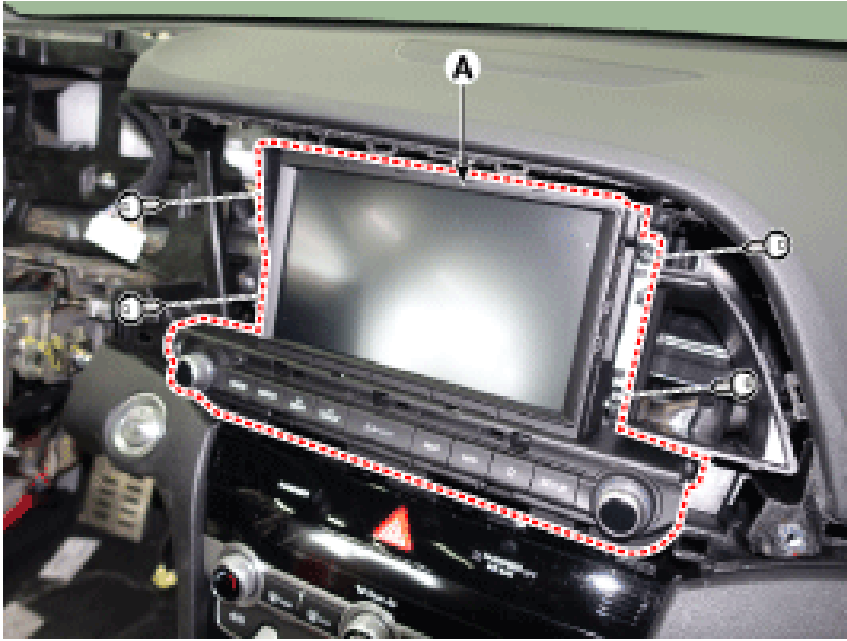
AVN (Audio Video Navigation) Head Unit - Repair Procedures (Article 44753)

- Removal

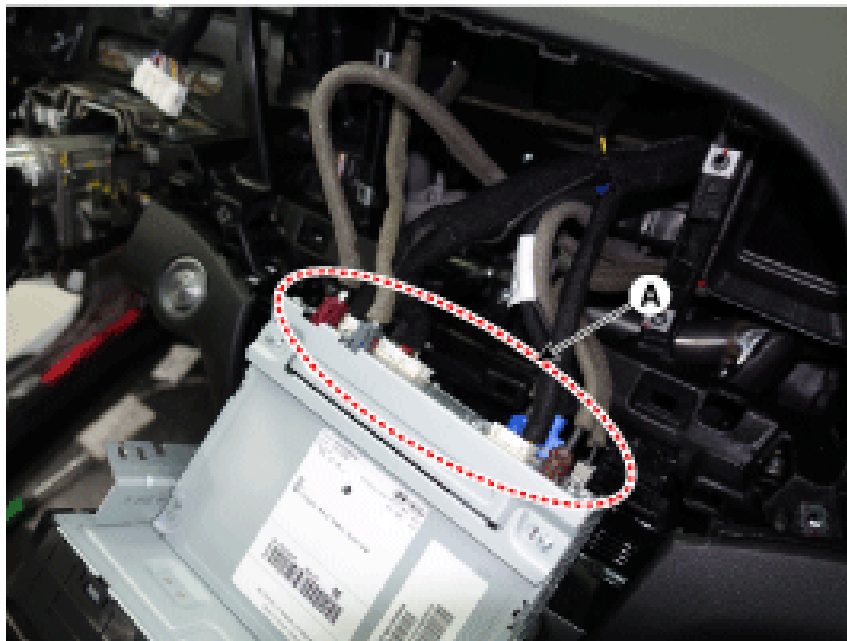
Take care not to scratch the cluster fascia panel and related parts. Eject all the disc before removing the AVN head unit to prevent damaging the DVD player's load mechanism. Wrap the protective tape on the tool to disassemble with the screwdriver or remover. Use caution in keeping and handling during disassembling/assembling because it is easily contaminated with lubricant and oil.



- Take care not to scratch the cluster fascia panel and related parts.
- Eject all the disc before removing the AVN head unit to prevent damaging the DVD player's load mechanism.
- Wrap the protective tape on the tool to disassemble with the screwdriver or remover.
- Use caution in keeping and handling during disassembling/assembling because it is easily contaminated with lubricant and oil.
- Disconnect the negative (-) battery terminal.
- Remove the center fascia panel. (Refer to Body - "Center Fascia Panel")
- Remove the AVN head unit (A) after loosening the mounting bolts.



- Remove the AVN head unit connectors and cables (A). If DVD does not eject, don't try to remove it. The DVD player may get damaged. Contact the nearest dealer for assistance.



If DVD does not eject, don't try to remove it. The DVD player may get damaged. Contact the nearest dealer for assistance.

- If DVD does not eject, don't try to remove it.
 - The DVD player may get damaged.
 - Contact the nearest dealer for assistance.
 - Installation
 - Install the AVN head unit after connecting the AVN head unit connectors and cable.
 - Install the center fascia panel.
 - Connect the negative (-) battery terminal. Make sure that the cables and connectors are plugged in properly.
- Check the AVN system.
 Make sure that the cables and connectors are plugged in properly. Check the AVN system.
- Make sure that the cables and connectors are plugged in properly.
 - Check the AVN system.

Audio - Specifications (Article 44734)

- Specifications

Audio

Items Audio

Model TFT/MONO/DISPLAY

Power supply DC 14.4V

Parasitic current Max. 1mA (Head unit only)

Antenna 80PF 75Ω

Tuning type PLL SYNTHESIZED TUNING

All Technical Service Bulletins (itype_100)

Tsbs

- USB MULTI-BOX DIAGNOSTIC GUIDELINES (20-BE-001H, 2020/01/15)

OEM Policies and Procedures (itype_120)

Tsbs

- USB MULTI-BOX DIAGNOSTIC GUIDELINES (20-BE-001H, 2020/01/15)