

# Component Procedures: Navigation System

## Table of Contents

1. Parts and Labor (itype\_189)
2. A/V and Navigation - Schematic Diagrams (Article 42510)
3. Navigation - Navigation Circuit (W/ Amplifier) (Article 12259)
4. Navigation - Navigation Circuit (W/O Amplifier) (Article 12274)
5. All New Technical Service Bulletins (itype\_432)
6. All Technical Service Bulletins (itype\_100)
7. Software Update Bulletins (itype\_434)

# Component Procedures: Navigation System

## Parts and Labor (itype\_189)

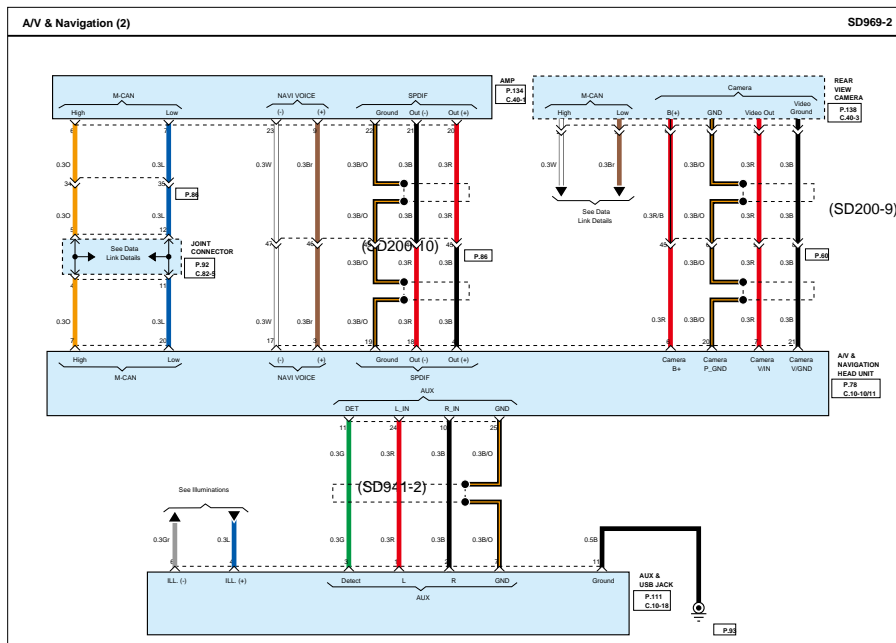
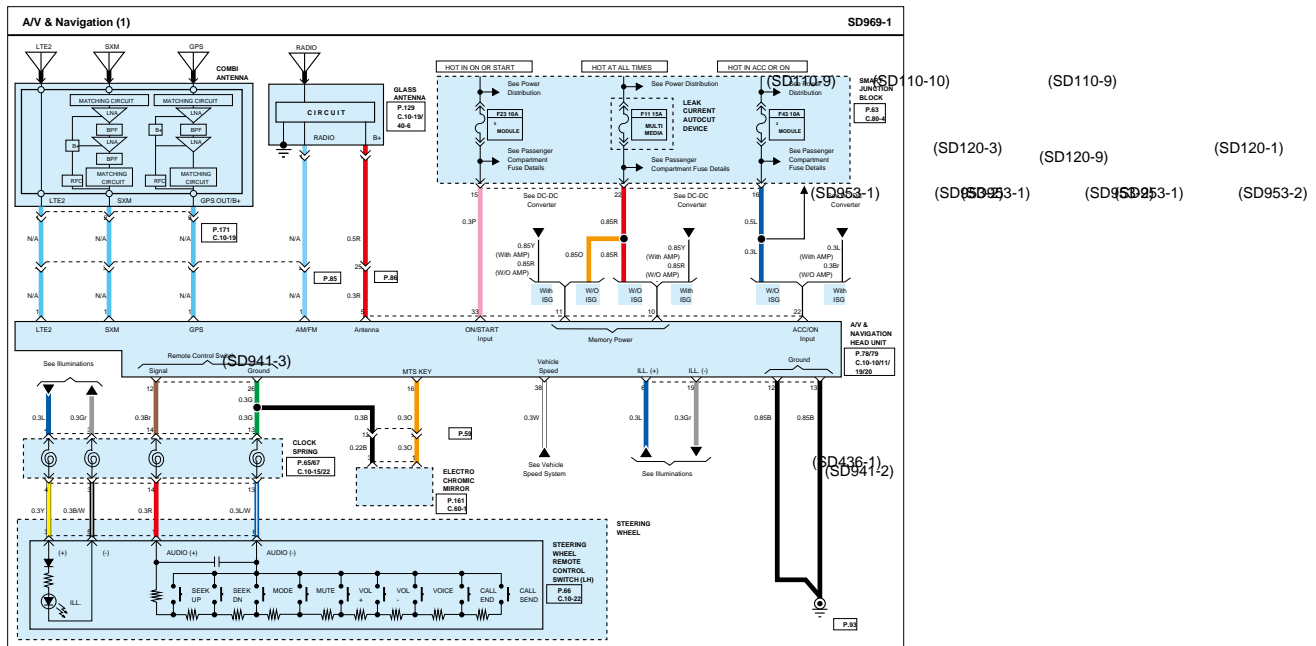
### Parts

Qualifier	Part #	Name	Price	Note
Navigation System	96560F2UA0SSH	Display System	4345.97	

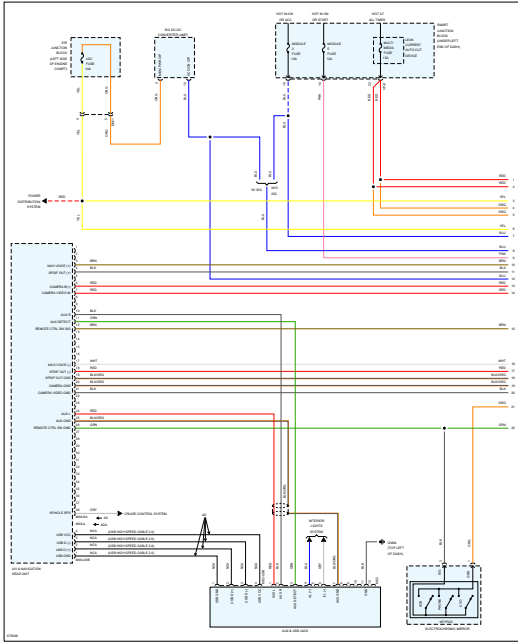
### Labor

Operation	Qualifier Path	Skill	Std Hrs	Wty Hrs
Remove & Replace	Navigation System > Antenna, R&R	B	3.5	0.0
Remove & Replace	Navigation System > Control Module, R&R	B	0.5	0.0
Remove & Replace	Navigation System > Display System, R&R	B	0.8	0.0

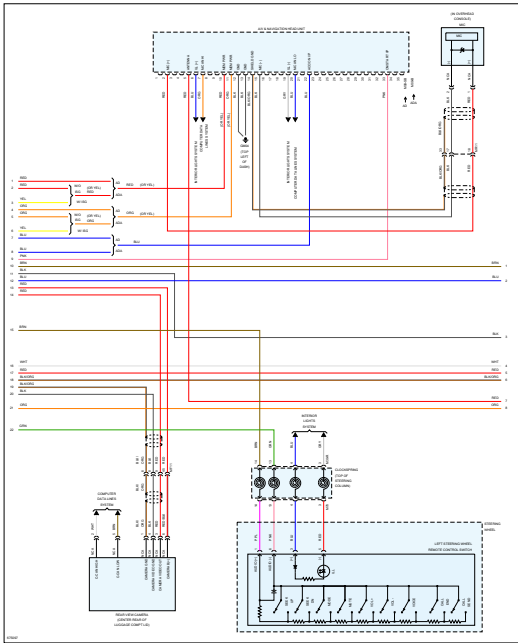
## AV/ and Navigation - Schematic Diagrams (Article 42510)



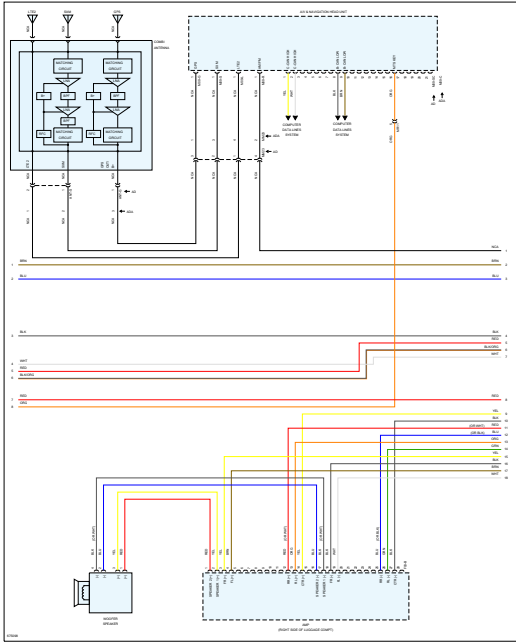




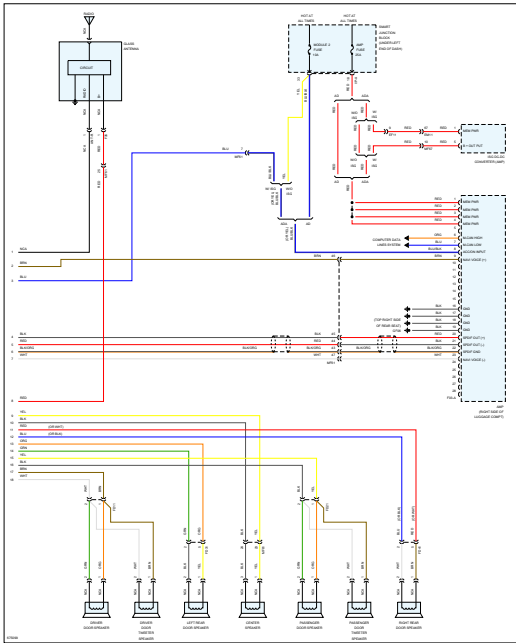
Page 2 of 4



Page 3 of 4

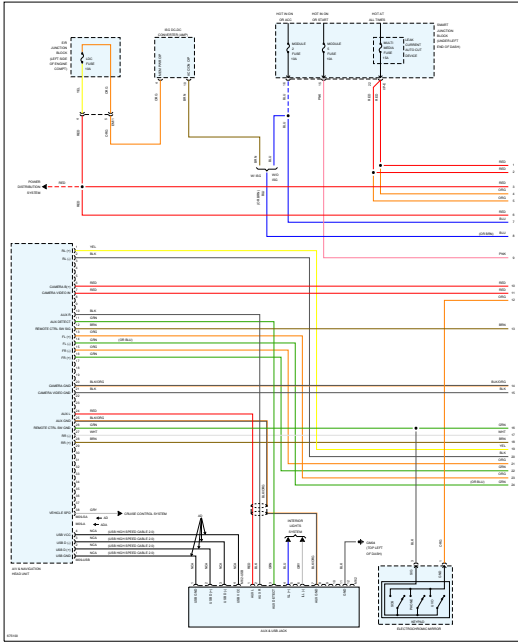


Page 4 of 4



## Navigation - Navigation Circuit (W/O Amplifier) (Article 12274)

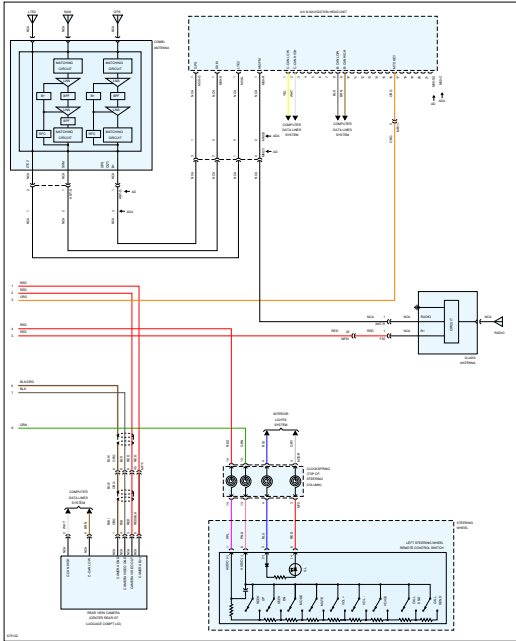
Navigation - Navigation Circuit (W/O Amplifier )



Page 2 of 3



Page 3 of 3



### All New Technical Service Bulletins (itype\_432)

Tsbs

- REAR-VIEW MONITOR INSPECTION GUIDE (25-BE-024H, 2025/12/16)

### All Technical Service Bulletins (itype\_100)

Tsbs

- REAR-VIEW MONITOR INSPECTION GUIDE (25-BE-024H, 2025/12/16)
- MAPNSOFT WEBSITE MAP UPDATE OVERVIEW AND TROUBLESHOOTING (20-BE-010H, 2020/09/15)
- BLUELINK, MULTIMEDIA AND NAVIGATION UPDATE FOR 3G SUNSET (22-GI-008H, 2022/12/14)

### Software Update Bulletins (itype\_434)

Tsbs

- MAPNSOFT WEBSITE MAP UPDATE OVERVIEW AND TROUBLESHOOTING (20-BE-010H, 2020/09/15)