

# **Component Procedures: Carpet**

## **Table of Contents**

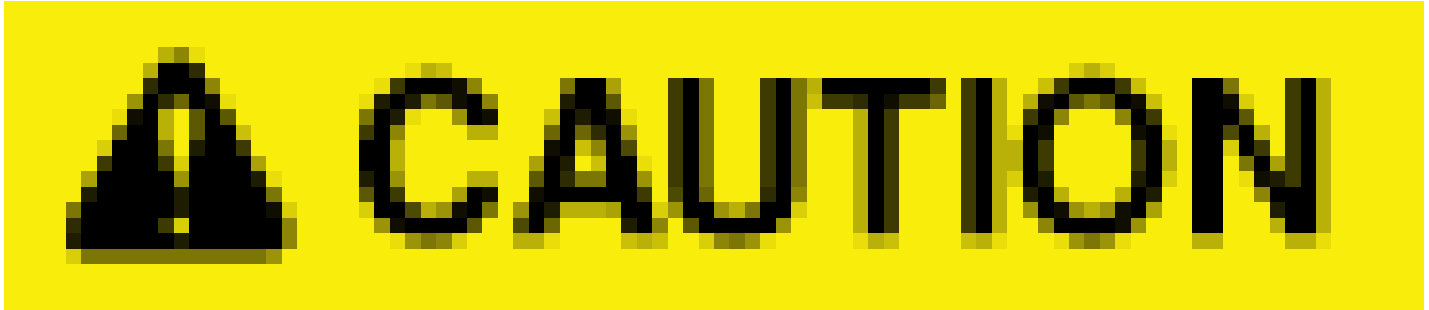
1. Floor Carpet - Repair Procedures (Article 45059)

## Component Procedures: Carpet

### Floor Carpet - Repair Procedures (Article 45059)

- Replacement

Put on gloves to prevent hand injuries.



- Put on gloves to prevent hand injuries.

When removing with a flat-tip screwdriver or remover, wrap protective tape around the tools to prevent damage to components. Use a plastic panel removal tool to remove interior trim pieces without marring the surface.

Take care not to bend or scratch the trim and panels.



- When removing with a flat-tip screwdriver or remover, wrap protective tape around the tools to prevent damage to components.

- Use a plastic panel removal tool to remove interior trim pieces without marring the surface.

- Take care not to bend or scratch the trim and panels.

- Remove the floor console assembly. (Refer to Floor Console - "Floor Console Assembly")

- Remove the front seat assembly. (Refer to Front Seat - "Front Seat Assembly")

- Remove the rear seat cushion assembly. (Refer to Rear Seat - "Rear Seat Assembly")

- Remove the cowl side trim. (Refer to Interior Trim - "Cowl Side Trim")

- Remove the center pillar lower trim. (Refer to Interior Trim - "Center Pillar Trim")

- Remove the footrest (A).

- Remove the floor carpet assembly (B).

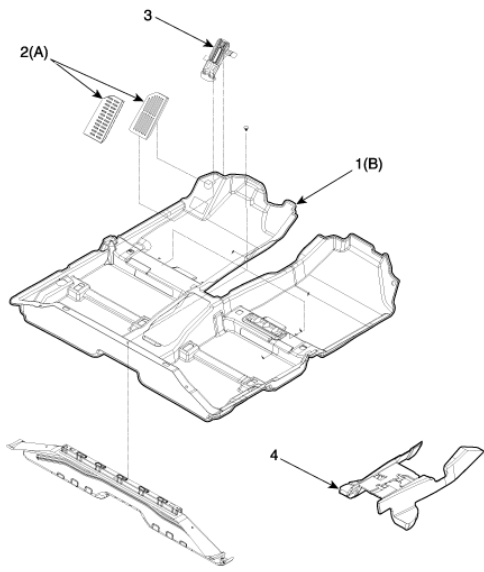
- To install, reverse the removal procedure. Replace any damaged clips (or pin-type retainers). 1. Front floor carpet assembly 2. Footrest 3. Footrest bracket 4. Front tunnel pad

Replace any damaged clips (or pin-type retainers).



## Information

- Replace any damaged clips (or pin-type retainers).



1. Front floor carpet assembly 2. Footrest 3. Footrest bracket 4. Front tunnel pad