

# Component Procedures: Seats

## Table of Contents

1. Parts and Labor (itype\_189)
2. Power Seat System - Schematic Diagrams (Article 42538)
3. Seat Warmer System - Schematic Diagrams (Article 42545)
4. Seats - Front Heated Seats Circuit (AD) (Article 11262)
5. Seats - Front Heated Seats Circuit (ADA) (Article 11347)
6. Seats - Power Seats Circuit (Article 11265)
7. Seats - Rear Heated Seats Circuit (Article 11340)
8. Air Ventilation Seat - Components and Components Location (Article 44565)
9. Front Seat - Components and Components Location (Article 45070)
10. Front Seat Assembly - Components and Components Location (Article 45071)
11. Rear Seat - Components and Components Location (Article 45083)
12. Rear Seat Assembly - Components and Components Location (Article 45084)
13. Front Seat Assembly - Repair Procedures (Article 45072)
14. Lumbar Support Unit - Repair Procedures (Article 44571)
15. Rear Seat Assembly - Repair Procedures (Article 45085)
16. All New Technical Service Bulletins (itype\_432)
17. All Technical Service Bulletins (itype\_100)
18. OEM Policies and Procedures (itype\_120)

# Component Procedures: Seats

## Parts and Labor (itype\_189)

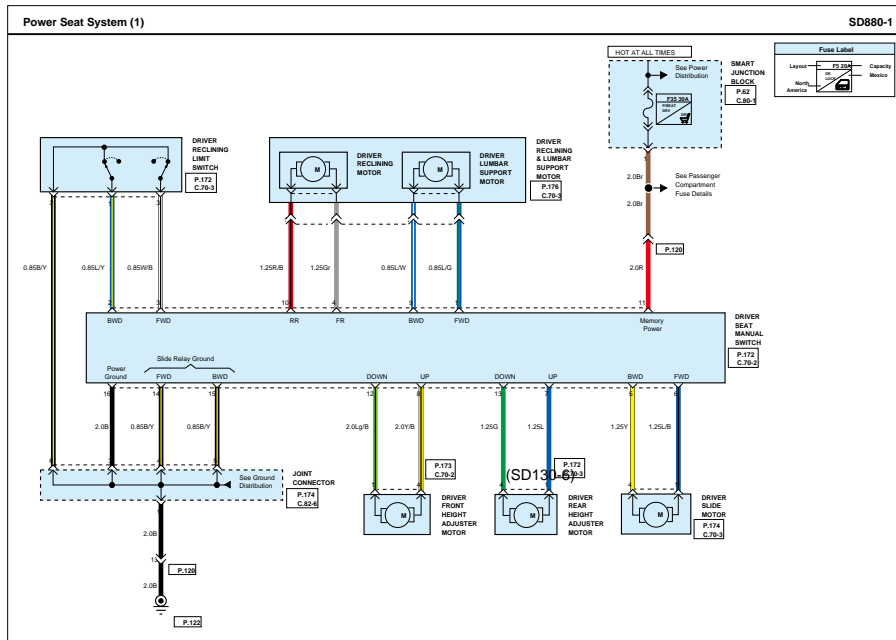
### Parts

Qualifier	Part #	Name	Price	Note
Heated Seats > Control Unit	88196F3020	Front	162.29	
Heated Seats > Control Unit	89196F3000	Rear	192.48	
Heated Seats > Element	88391F3000	Seat Back	96.89	
Heated Seats > Element > Sea?	88190F3000	Front	164.31	
Heated Seats > Element > Sea?	89190F3000	Rear	263.08	
Heated Seats > Switch		Part Of Ac Control Uni?	0.00	
Power Seats	88952F2500	Control Module	307.66	
Power Seats > Adjuster	88500F3000	Left	951.58	
Power Seats > Adjuster	88600F3000	Right	1292.92	
Power Seats > Switch	88540F21004X	Left	224.31	Order By Color.
Power Seats > Switch	NOT LISTED	Right	0.00	Order By Color.
Power Seats > Switch > Left	88540F21104X	With Memory	231.13	Order By Color.
Power Seats > Switch > Left	88540F21004X	Without Memory	224.31	Order By Color.

### Labor

Operation	Qualifier Path	Skill	Std Hrs	Wty Hrs
Remove & Replace	Heated Seats > Element, R&R > Seat Back > One?	B	1.8	0.0
Remove & Replace	Power Seats > Adjuster Switch, R&R > One Side	B	0.3	0.0
Remove & Replace	Power Seats > Adjuster Switch, R&R > Both Sid?	B	0.4	0.0
Remove & Replace	Power Seats > Limit Switch, R&R > One Side	B	0.4	0.0
Remove & Replace	Power Seats > Limit Switch, R&R > Both Sides	B	0.5	0.0

## Power Seat System - Schematic Diagrams (Article 42538)



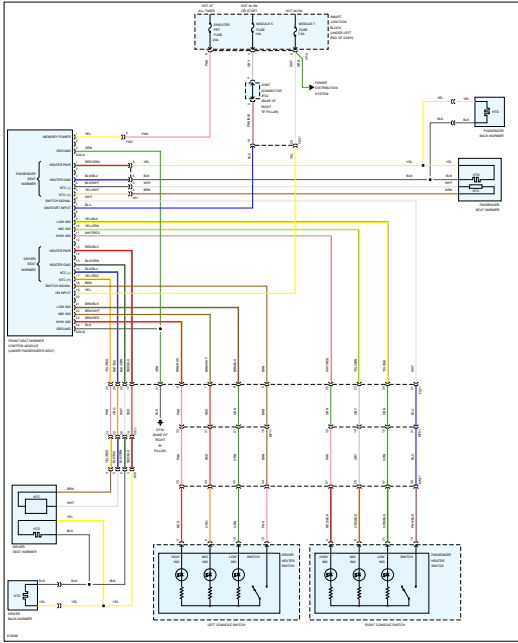
(SD110-10)

(SD120-7)

## Seat Warmer System - Schematic Diagrams (Article 42545)



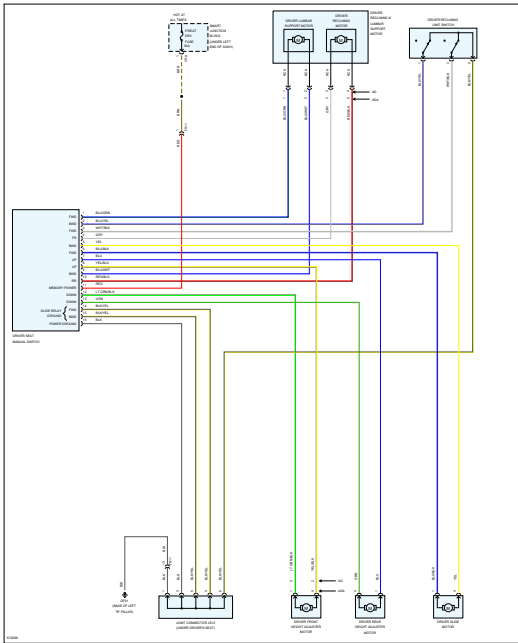




### Seats - Power Seats Circuit (Article 11265)

Seats - Power Seats Circuit

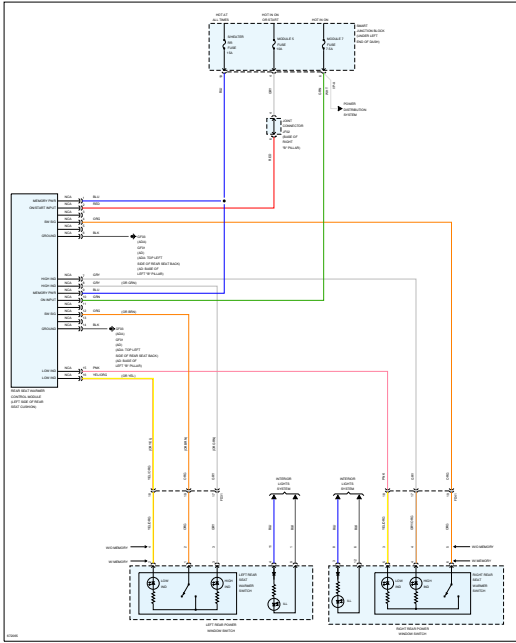
Page 1 of 1



### Seats - Rear Heated Seats Circuit (Article 11340)

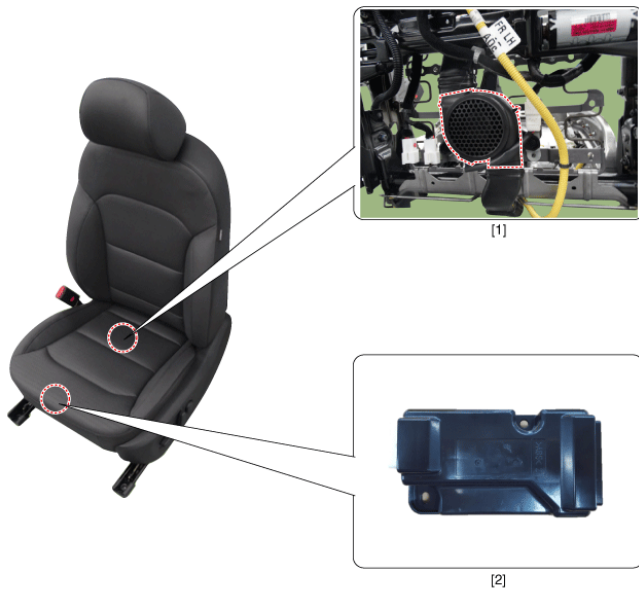
Seats - Rear Heated Seats Circuit

Page 1 of 1



## Air Ventilation Seat - Components and Components Location (Article 44565)

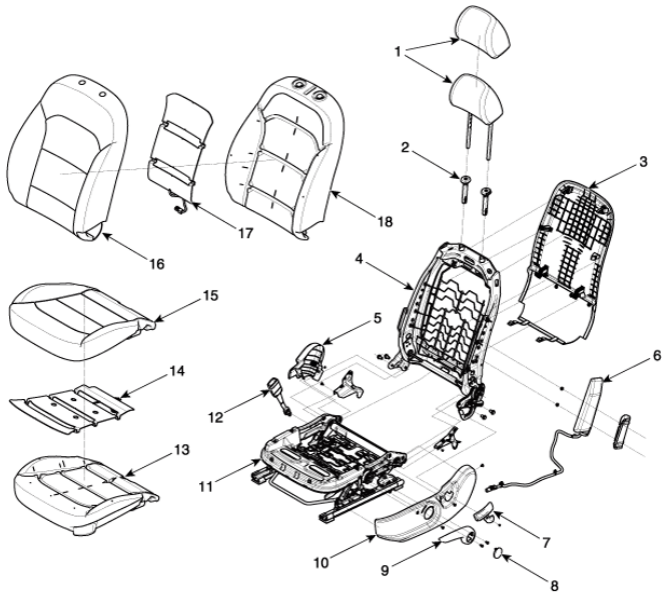
- Component Location  
[Front Ventilation Seat]



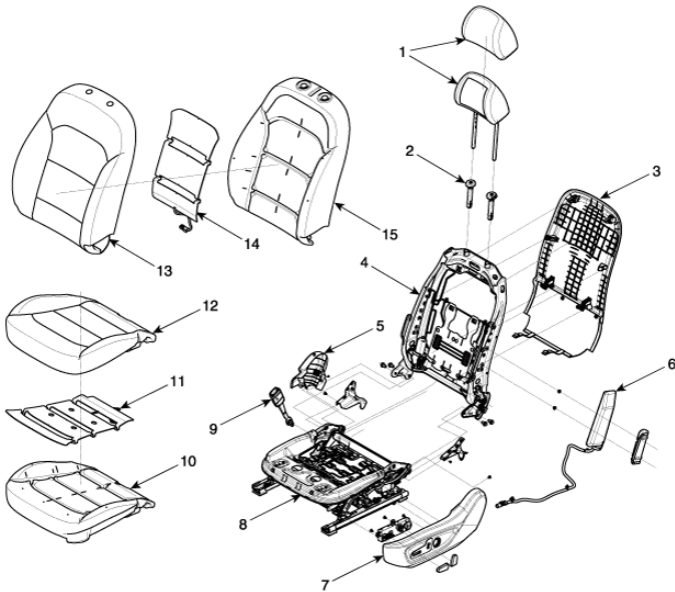
1. Ventilation seat unit (Assist seat only) 2. Ventilation seat blower

## Front Seat - Components and Components Location (Article 45070)

- Components  
[General Type]



1. Front seat headrest 2. Front seat headrest guide 3. Front seat back board 4. Front seat back frame assembly 5. Front seat shield inner cover 6. Front seat SAB module 7. Recliner lever 8. Height lever cap 9. Height lever 10. Front seat shield outer cover 11. Front seat cushion frame assembly 12. Front seat belt buckle 13. Front seat cushion pad 14. Front seat cushion heater mat 15. Front seat cushion cover 16. Front seat back cover 17. Front seat back heater 18. Front seat back pad  
[Power Type]



1. Front seat headrest 2. Front seat headrest guide 3. Front seat back board 4. Front seat back frame assembly 5. Front seat shield inner cover 6. Front seat SAB module 7. Front seat shield outer cover 8. Front seat cushion frame assembly 9. Front seat belt buckle 10. Front seat cushion pad 11. Front seat cushion heater mat 12. Front seat cushion cover 13. Front seat back cover 14. Front seat back heater 15. Front seat back pad

### Front Seat Assembly - Components and Components Location (Article 45071)

- Component Location



1. Front seat assembly

### Rear Seat - Components and Components Location (Article 45083)

- Components



1. Rear seat back assembly [LH] 2. Rear seat back assembly [RH] 3. Rear back armrest 4. Rear seat cushion assembly

### Rear Seat Assembly - Components and Components Location (Article 45084)

- Component Location



1. Rear seat cushion assembly 2. Rear seat back assembly

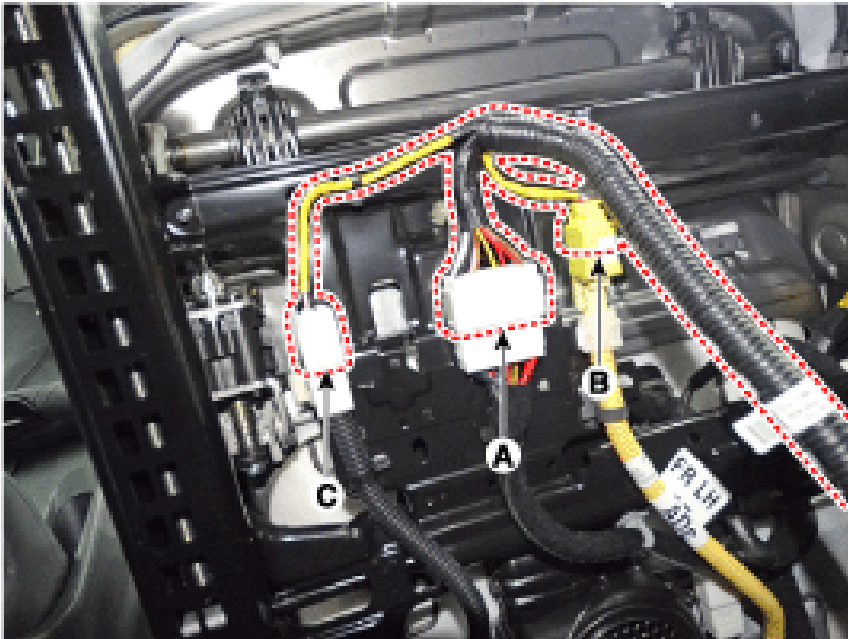
### **Front Seat Assembly - Repair Procedures (Article 45072)**

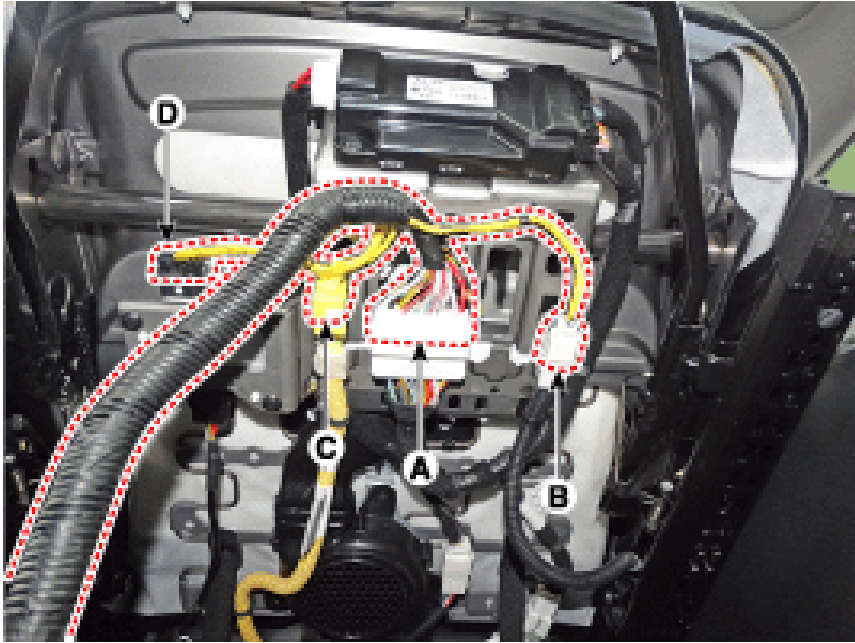
- Replacement
- Open the cover and loosen the front seat mounting bolts. [Front] Tightening torque : 49.0 - 63.7 N.m (5.0 - 6.5 kgf.m, 36.2- 47.0 lb-ft) [Rear] Tightening torque : 49.0 - 63.7 N.m (5.0 - 6.5 kgf.m, 36.2 - 47.0 lb-ft)





- Disconnect the main connector (A), front seat belt buckle connector (B), airbag connector (C), seat belt reminder connector (D). [Driver's] [Passenger's]





- To install, reverse the removal procedure. The installation procedures of seat mounting bolts Push the seat to the rear end of slides and initially tighten the front mounting bolts. Push the seat to the front end of slides and completely tighten the rear mounting bolts. Send the seat to the rear end again to completely tighten the front mounting bolts. Check the seat for smooth movement. For the non-automatic slide seats, check the seats are fixed at each designated fixing position.

The installation procedures of seat mounting bolts Push the seat to the rear end of slides and initially tighten the front mounting bolts. Push the seat to the front end of slides and completely tighten the rear mounting bolts. Send the seat to the rear end again to completely tighten the front mounting bolts. Check the seat for smooth movement. For the non-automatic slide seats, check the seats are fixed at each designated fixing position.

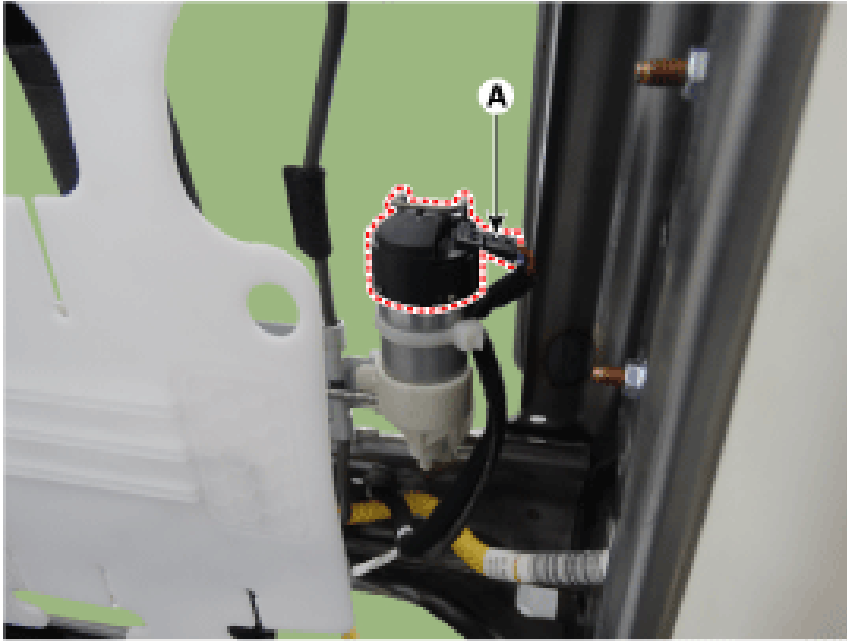


## Information

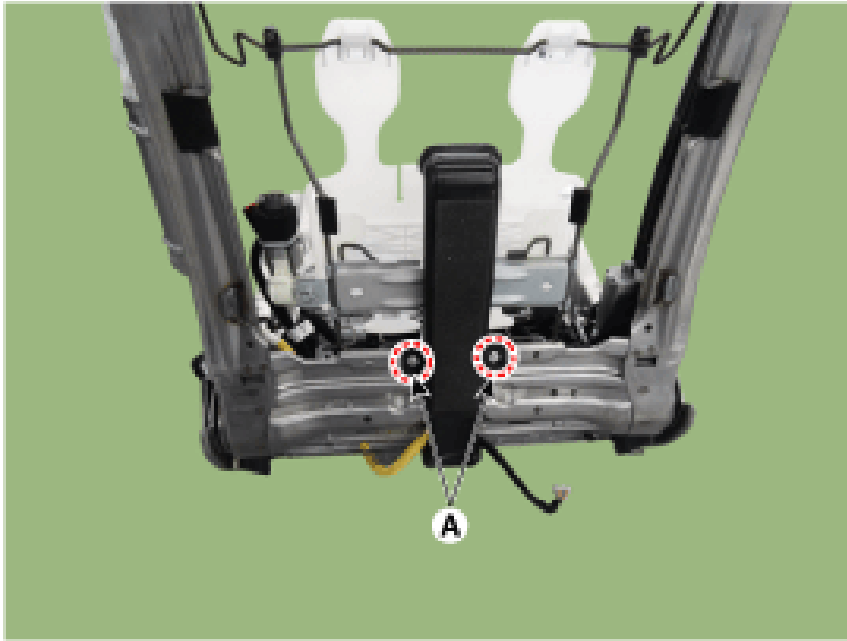
- Push the seat to the rear end of slides and initially tighten the front mounting bolts.
- Push the seat to the front end of slides and completely tighten the rear mounting bolts.
- Send the seat to the rear end again to completely tighten the front mounting bolts.
- Check the seat for smooth movement.
- For the non-automatic slide seats, check the seats are fixed at each designated fixing position.

### **Lumbar Support Unit - Repair Procedures (Article 44571)**

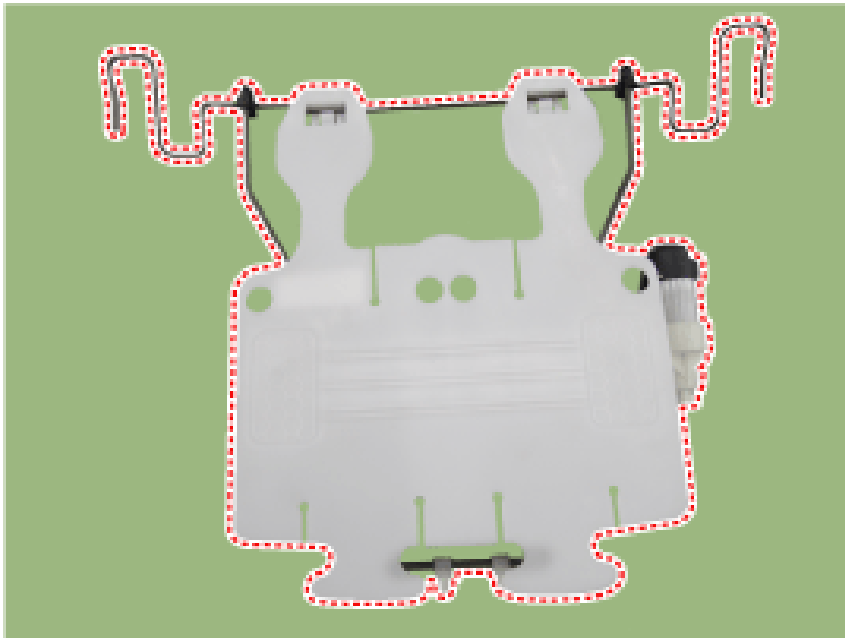
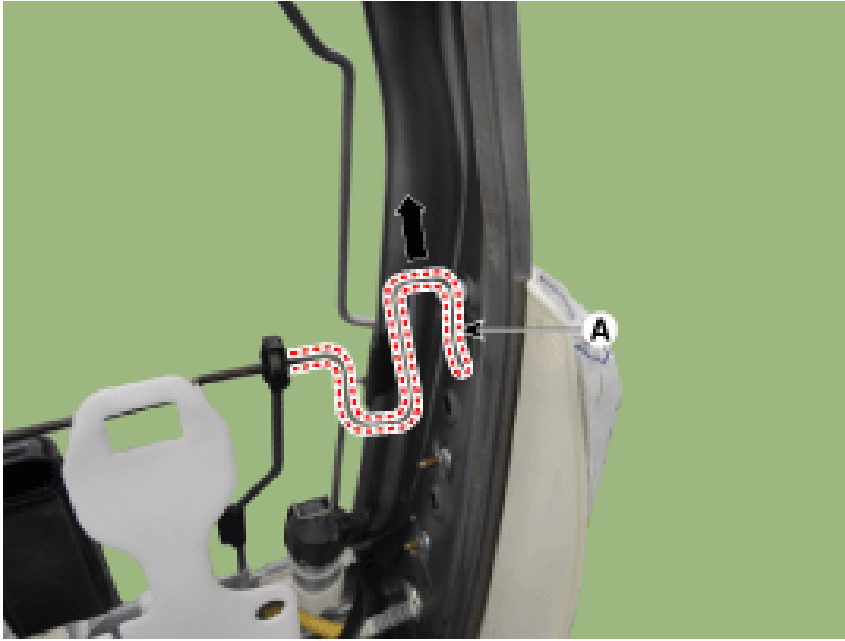
- Removal
- Disconnect the negative (-) battery terminal.
- Remove the front seat assembly. (Refer to Body - "Front Seat Assembly")
- Remove the seat back . (Refer to Body - "Front Seat Back Cover")
- Disconnect the lumbar support motor connector (A).



- Separate the retaining clips (A) from the seat frame .



- Remove the lumbar support assembly after disengaging mounting clip (A).



- Installation

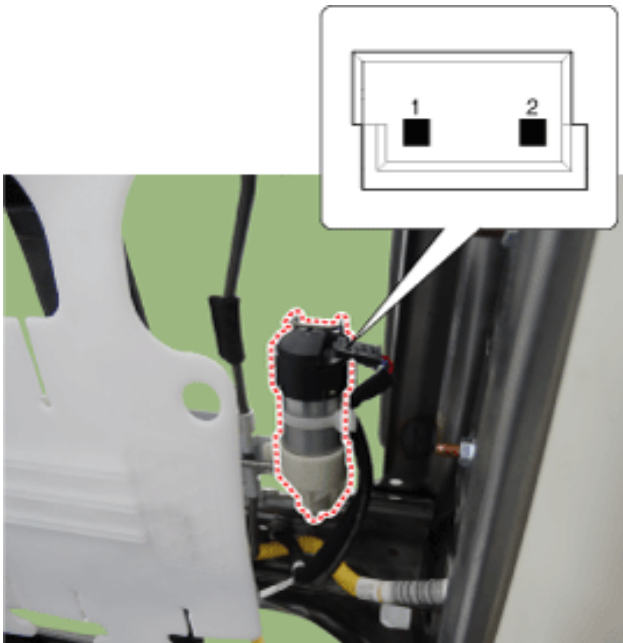
- Install the lumbar support assembly.
- Install the seat back cover.
- Install the front seat assembly. Make sure that the connectors are plugged in properly. Check the rear lumbar support system.

Make sure that the connectors are plugged in properly. Check the rear lumbar support system.



- Make sure that the connectors are plugged in properly.
- Check the rear lumbar support system.

- Inspection  
Lumbar Support Motor
- Disconnect the connectors for each motor. [Lumbar Support Motor]  
[Lumbar Support Motor]

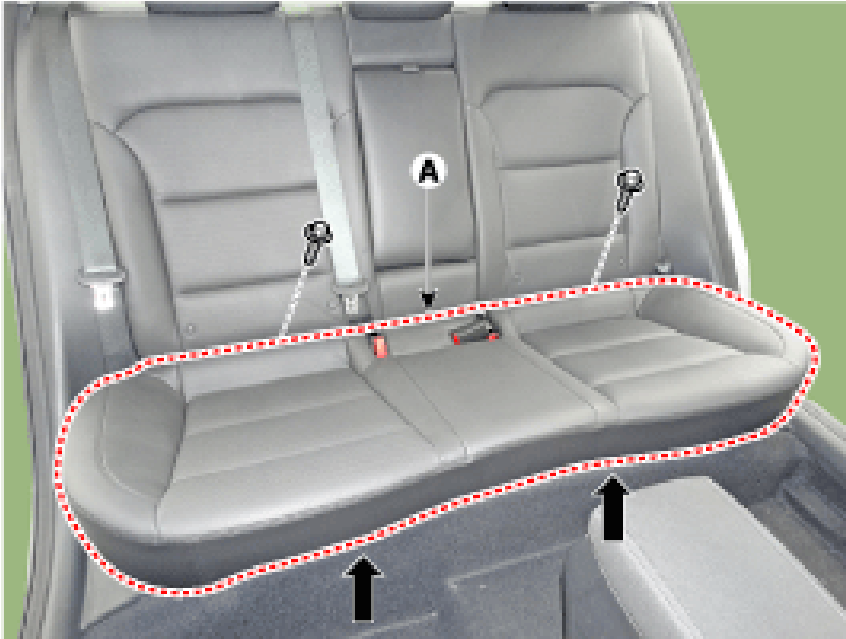


- With the battery connected directly to the motor terminals, check if the motors run smoothly.
- Reverse the connections and check that the motor turns in reverse.
- If there is an abnormality, replace the motors.

		Terminal	
		+	-
Lumbar support motor	Forward	1	2
	Backward	2	1

**Rear Seat Assembly - Repair Procedures (Article 45085)**

- Replacement  
[Rear seat cushion assembly]
- Loosen the mounting bolts, remove the rear seat cushion assembly (A).



- Disconnect the rear seat cushion extension connector (A).

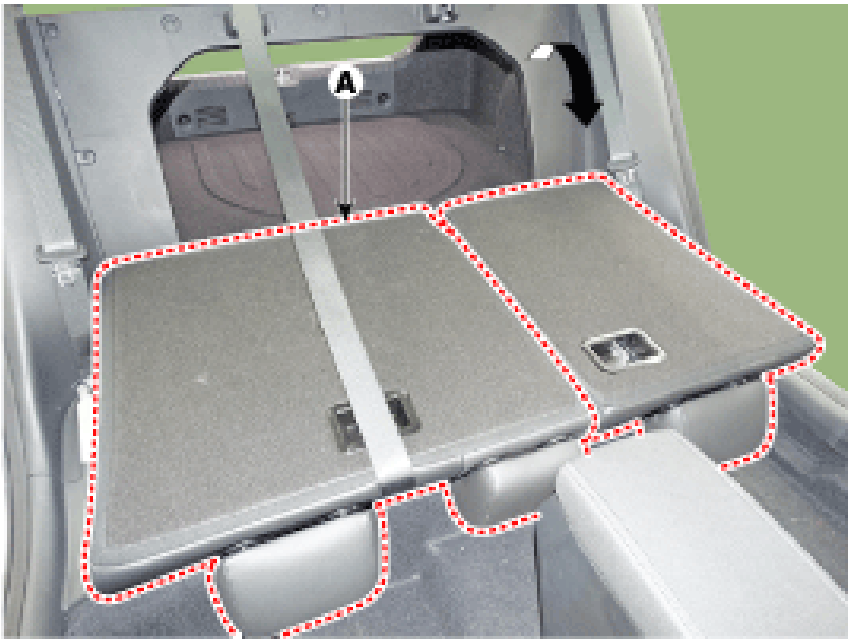
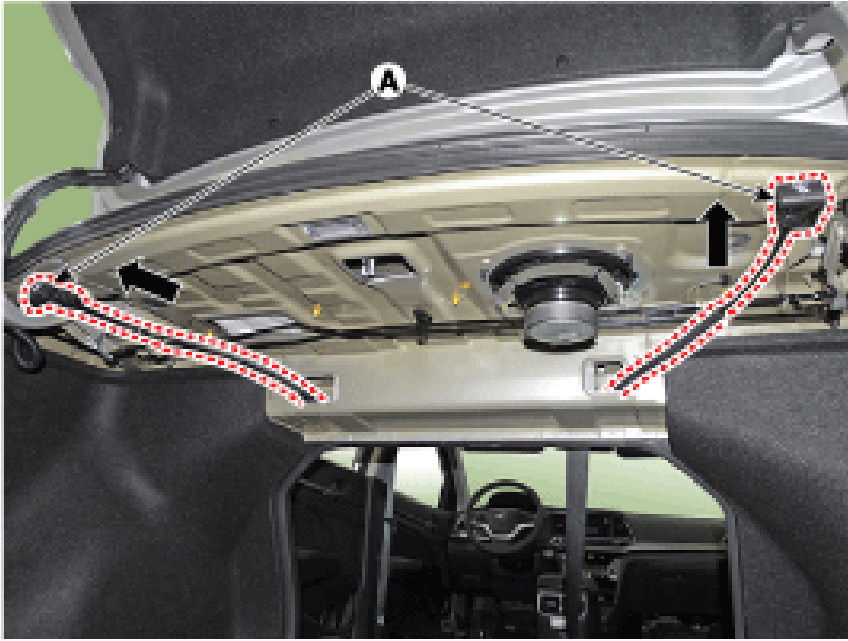


- To install, reverse the removal procedure.

[Rear seat back assembly]

- Remove the rear seat cushion assembly. (Refer to Rear Seat - "Rear Seat Assembly")

- Fold the rear seat back assembly (A) by pulling the folding lever in the direction of the arrow.



- After loosening the mounting bolts, remove the rear seat assembly (A). Tightening torque : 16.7 - 25.5 N.m  
(1.7 - 2.6 kgf.m, 12.3 - 18.8 lb-ft)



- To install, reverse the removal procedure.

### **All New Technical Service Bulletins (itype\_432)**

Tsbs

- SEAT COVER INSPECTION AND SERVICE GUIDE (23-BD-004H, 2025/02/26)

### **All Technical Service Bulletins (itype\_100)**

Tsbs

- SEAT COVER INSPECTION AND SERVICE GUIDE (23-BD-004H, 2025/02/26)

### **OEM Policies and Procedures (itype\_120)**

Tsbs

- SEAT COVER INSPECTION AND SERVICE GUIDE (23-BD-004H, 2025/02/26)