

# **Component Procedures: Sunroof / Moonroof**

## **Table of Contents**

1. Sunroof System - Service Tips (Article 42574)
2. Sun Roof - Schematic Diagrams (Article 44637)
3. Sunroof System - Schematic Diagrams (Article 42573)
4. Power Tops (Article 11555)
5. Sunroof - Components and Components Location (Body (Interior and Exterior)) (Article 44984)
6. Sunroof - Components and Components Location (Body Electrical System) (Article 44636)
7. Sunroof Assembly - Components and Components Location (Article 44989)
8. Sunroof Glass - Components and Components Location (Article 44986)
9. Sunroof - Repair Procedures (Article 44985)
10. Sunroof Assembly - Repair Procedures (Article 44990)
11. Sunroof Deflector - Repair Procedures (Article 44988)
12. Sunroof Glass - Repair Procedures (Article 44987)
13. Sunroof Guide - Repair Procedures (Article 44992)
14. Sunroof Sunshade - Repair Procedures (Article 44991)
15. Sunroof System - Service Tips (Article 42575)

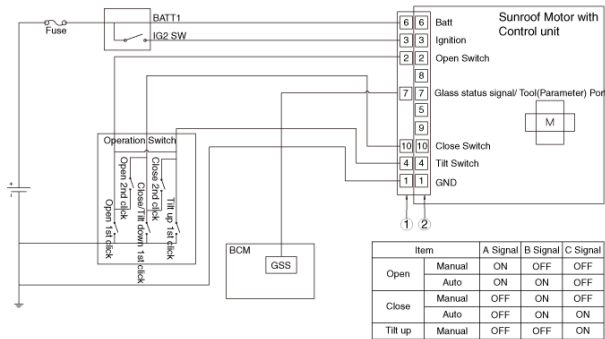
# Component Procedures: Sunroof / Moonroof

## Sunroof System - Service Tips (Article 42574)

Sunroof System	Service Tips (1)																																																																						
<p><b>Circuit Description</b></p> <p>When the ignition switch is turned on, the sunroof can be tilted or slid to open it. It has a one-touch open/close function for opening or closing the sunroof with one switch operation. It also has an anti-pinch function which prevents objects from getting caught during closing.</p> <p>■ <b>Sunroof Switch Inspection</b></p> <p>Check the continuity between terminals from each switch position as shown in the table below and renew it if it doesn't have continuity.</p> <table border="1" style="width: 100%; border-collapse: collapse; text-align: center;"> <thead> <tr> <th>Terminal Position</th> <th>1 (SIG A)</th> <th>5 (SIG B)</th> <th>6 (SIG B)</th> <th>7 (SIG C)</th> </tr> </thead> <tbody> <tr> <td>Open (1st click)</td> <td>○</td> <td>○</td> <td>○</td> <td>○</td> </tr> <tr> <td>Open (2nd click)</td> <td>○</td> <td>○</td> <td>○</td> <td>○</td> </tr> <tr> <td>Tilt up</td> <td>○</td> <td>○</td> <td>○</td> <td>○</td> </tr> <tr> <td>Tilt down</td> <td>○</td> <td>○</td> <td>○</td> <td>○</td> </tr> <tr> <td>Close (1st click)</td> <td>○</td> <td>○</td> <td>○</td> <td>○</td> </tr> <tr> <td>Close (2nd click)</td> <td>○</td> <td>○</td> <td>○</td> <td>○</td> </tr> </tbody> </table> <p>■ <b>Sunroof Motor Inspection</b></p> <p>Separate the sunroof connector and ground the terminal as shown in the table to check if it is operating normally.</p> <table border="1" style="width: 100%; border-collapse: collapse; text-align: center;"> <thead> <tr> <th>Terminal Position</th> <th>3</th> <th>2</th> <th>4</th> <th>10</th> </tr> </thead> <tbody> <tr> <td>Open (1st click)</td> <td>⊕</td> <td>⊖</td> <td></td> <td></td> </tr> <tr> <td>Open (2nd click)</td> <td>⊕</td> <td>⊖</td> <td></td> <td>⊖</td> </tr> <tr> <td>Tilt up</td> <td>⊕</td> <td></td> <td>⊖</td> <td></td> </tr> <tr> <td>Tilt down</td> <td>⊕</td> <td></td> <td></td> <td>⊖</td> </tr> <tr> <td>Close (1st click)</td> <td>⊕</td> <td></td> <td></td> <td>⊖</td> </tr> <tr> <td>Close (2nd click)</td> <td>⊕</td> <td></td> <td>⊖</td> <td>⊖</td> </tr> </tbody> </table>	Terminal Position	1 (SIG A)	5 (SIG B)	6 (SIG B)	7 (SIG C)	Open (1st click)	○	○	○	○	Open (2nd click)	○	○	○	○	Tilt up	○	○	○	○	Tilt down	○	○	○	○	Close (1st click)	○	○	○	○	Close (2nd click)	○	○	○	○	Terminal Position	3	2	4	10	Open (1st click)	⊕	⊖			Open (2nd click)	⊕	⊖		⊖	Tilt up	⊕		⊖		Tilt down	⊕			⊖	Close (1st click)	⊕			⊖	Close (2nd click)	⊕		⊖	⊖	<p>■ <b>Resetting The Panorama Sunroof</b></p> <p>Whenever the vehicle battery is disconnected or discharged, or related fuse is blown, you must reset your sunroof system as follows:</p> <ol style="list-style-type: none"> <li>1. Turn the ignition switch to the ON position and close the sunroof glass and Blind completely.</li> <li>2. Release the control lever.</li> <li>3. Push the sunroof control lever forward in the direction of close (about 10 seconds) until the sunroof is moved a little. Then, release the lever.</li> <li>4. Push the sunroof control lever forward in the direction of close until the sunroof operates as follows: Tilt → Slide Open → Slide Close</li> </ol> <p>Then, release the control lever. When this is complete, the sunroof system is reset.</p>
Terminal Position	1 (SIG A)	5 (SIG B)	6 (SIG B)	7 (SIG C)																																																																			
Open (1st click)	○	○	○	○																																																																			
Open (2nd click)	○	○	○	○																																																																			
Tilt up	○	○	○	○																																																																			
Tilt down	○	○	○	○																																																																			
Close (1st click)	○	○	○	○																																																																			
Close (2nd click)	○	○	○	○																																																																			
Terminal Position	3	2	4	10																																																																			
Open (1st click)	⊕	⊖																																																																					
Open (2nd click)	⊕	⊖		⊖																																																																			
Tilt up	⊕		⊖																																																																				
Tilt down	⊕			⊖																																																																			
Close (1st click)	⊕			⊖																																																																			
Close (2nd click)	⊕		⊖	⊖																																																																			

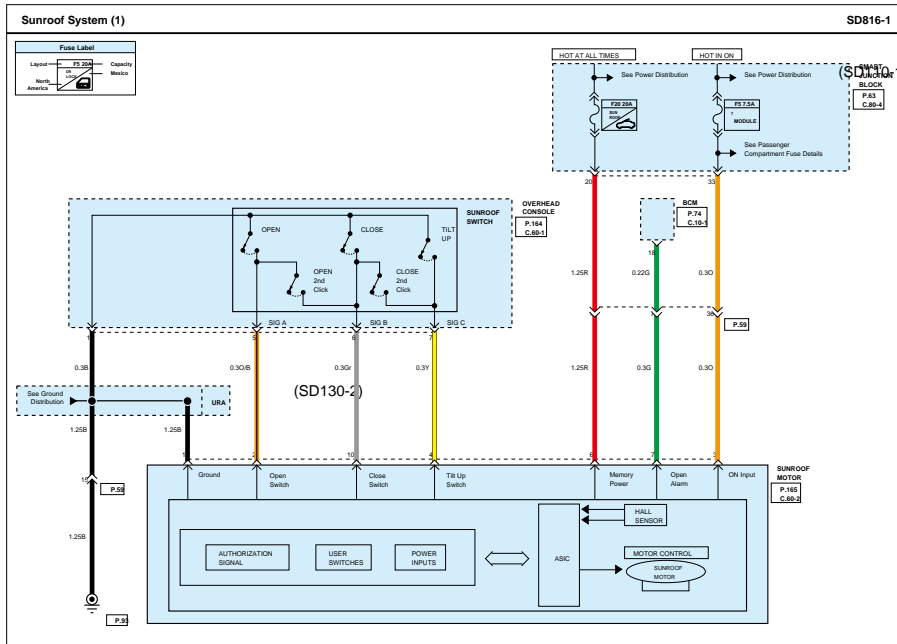
## Sun Roof - Schematic Diagrams (Article 44637)

### - Circuit Diagram



Map lamp side		Motor side	
No	Description	No	Description
1	Ground	1	Ground
2	Ground	2	Open switch
3	Door room	3	IGN 2
4	Power	4	Tilt switch
5	A Signal	5	-
6	B Signal	6	Power
7	C Signal	7	Glass status signal
8	Door	8	-
		9	-
		10	Close switch

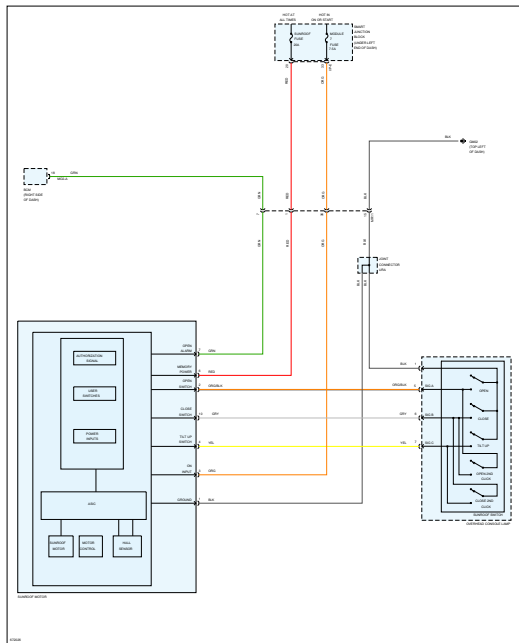
## Sunroof System - Schematic Diagrams (Article 42573)



## Power Tops (Article 11555)

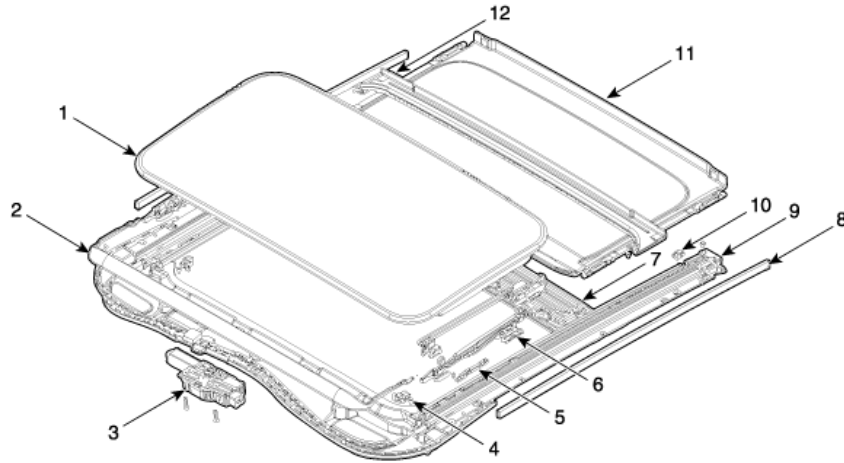
Power Tops

Page 1 of 1



## Sunroof - Components and Components Location (Body (Interior and Exterior)) (Article 44984)

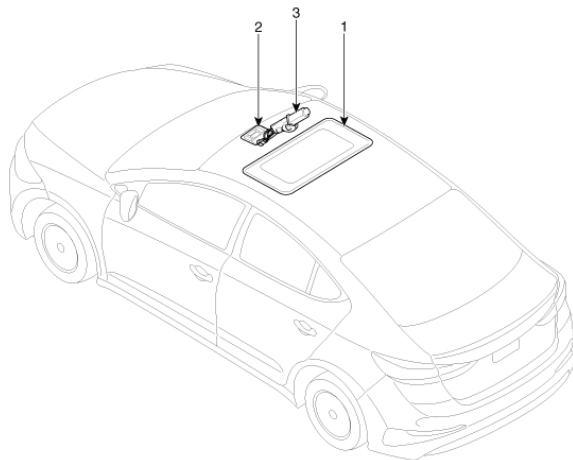
- Components



1. Glass panel assembly 2. Deflector 3. Motor assembly 4. Spring base assembly 5. Seth plate assembly 6. Guide assembly 7. Frame sub assembly 8. Seal tape 9. Rear drip 10. Stopper 11. Sunshade assembly 12. Drip rail assembly

### Sunroof - Components and Components Location (Body Electrical System) (Article 44636)

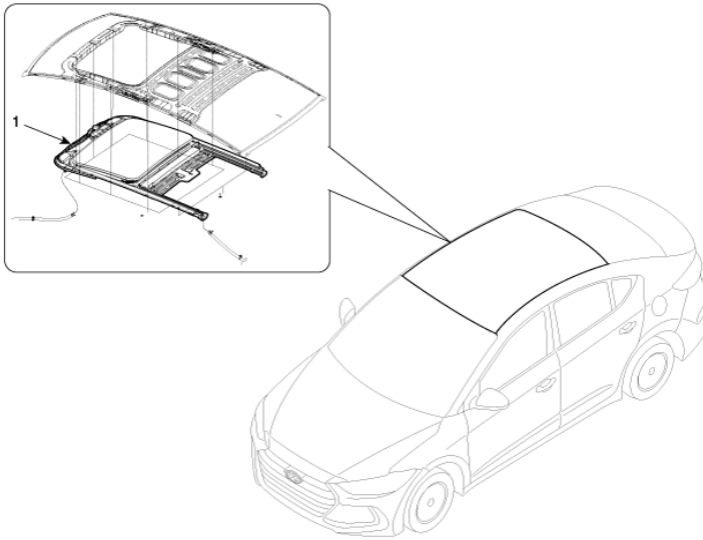
- Component Location



1. Sunroof 2. Sunroof switch 3. Sunroof motor & controller

### Sunroof Assembly - Components and Components Location (Article 44989)

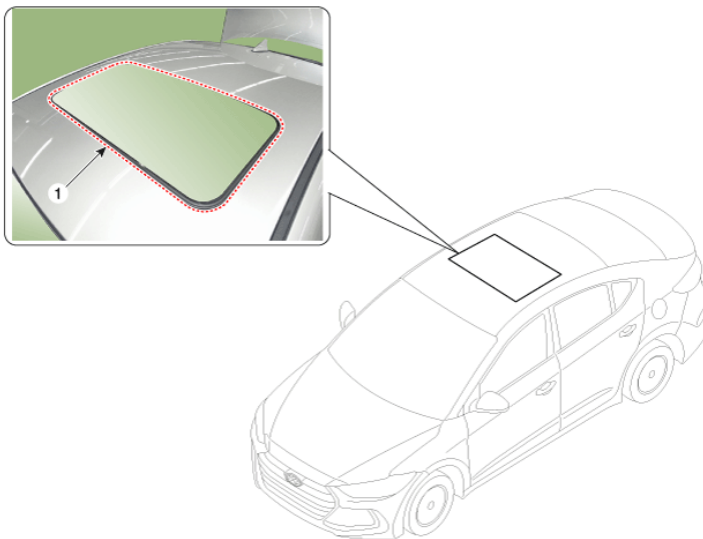
- Components Location



1. Sunroof assembly

## Sunroof Glass - Components and Components Location (Article 44986)

- Components Location



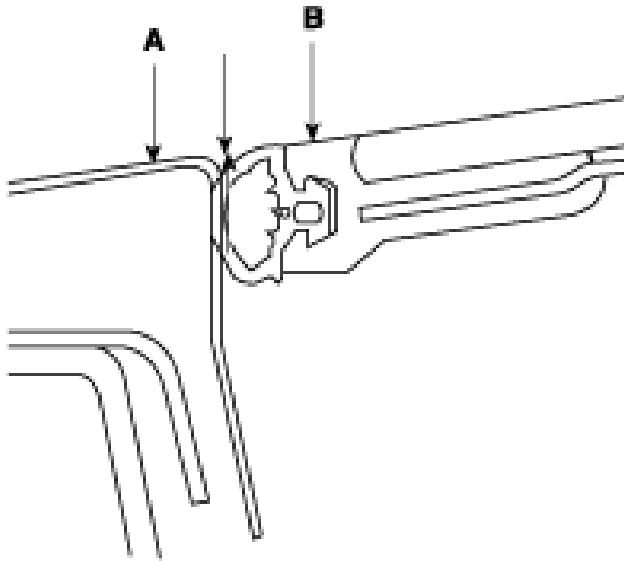
1. Sunroof glass

## Sunroof - Repair Procedures (Article 44985)

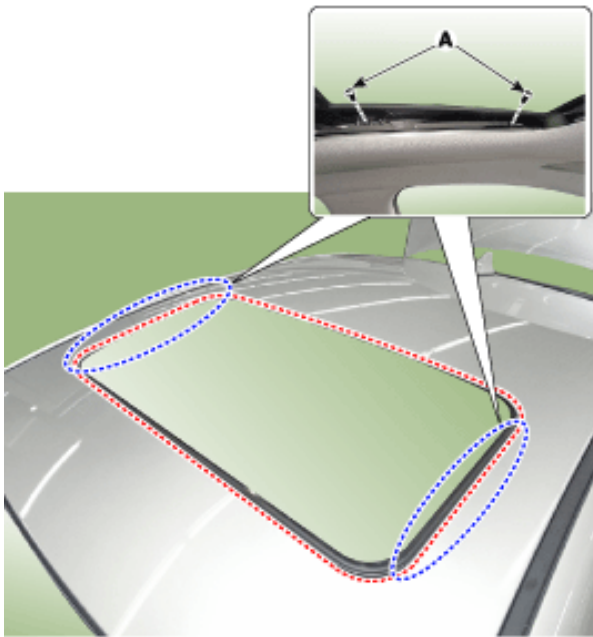
- Adjustment

Inspect Glass Alignment

- Inspect the step height between the roof panel (A) and the glass weatherstrip (B) and then adjust it if necessary. Alignment adjustment Standard value [mm (in.)] (1) Front edge : 0 mm (0 in.) (2) Rear edge : 0 mm (0 in.) (3) Side edge : 0 mm (0 in.)



- Adjust the height of the glass by slightly loosening the screws (A).

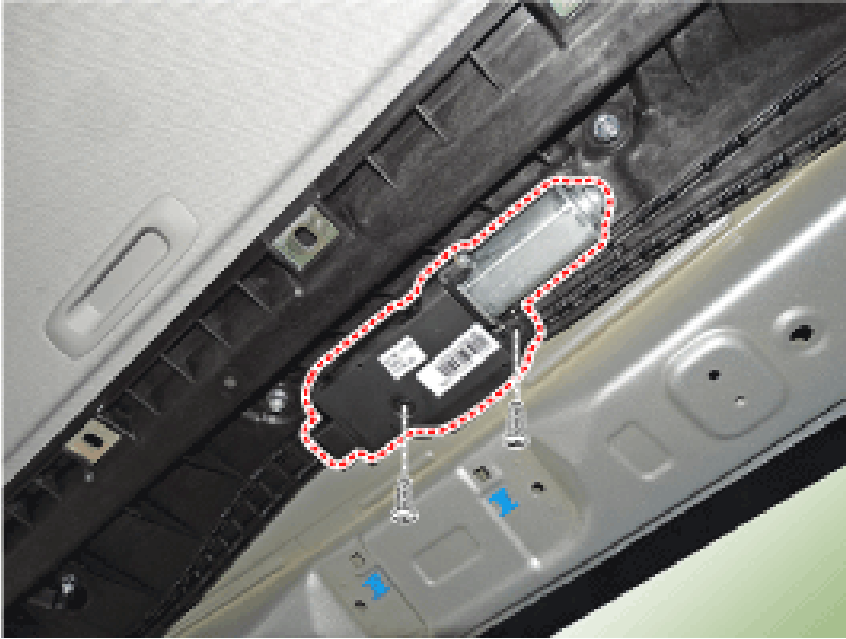


#### When To Initialize The Motor

- After initial vehicle assembly.
- If the initial value is erased or damaged because of short power electric discharge during operation.
- After using the manual handle.

#### Operating The Sunroof Emergency Handle

- Use the sunroof emergency handle to close or open the sunroof manually if the sunroof cannot be closed electronically due to motor or controller electrical malfunction.



- If needed, initialize the sunroof according to the initialization method. Whenever the vehicle battery is disconnected or discharged, or you use the emergency handle to operate the sunroof, you have to reset your sunroof system as follows : Turn the ignition key to the ON position and then close the sunroof completely. Release the sunroof control lever. Press and hold the CLOSE button for more than 10 seconds until the sunroof closed and it has moved slightly. Release the sunroof control lever. Press and hold the CLOSE button once again within 3 seconds until the sunroof does as follows: Tilt down → Slide Open → Slide Close Then release the lever. Reset procedure of sunroof system is finished.
- Turn the ignition key to the ON position and then close the sunroof completely.
- Release the sunroof control lever.
- Press and hold the CLOSE button for more than 10 seconds until the sunroof closed and it has moved slightly.
- Press and hold the CLOSE button once again within 3 seconds until the sunroof does as follows: Tilt down → Slide Open → Slide Close Then release the lever.
- Tilt down → Slide Open → Slide Close
- Reset procedure of sunroof system is finished.

### **Sunroof Assembly - Repair Procedures (Article 44990)**

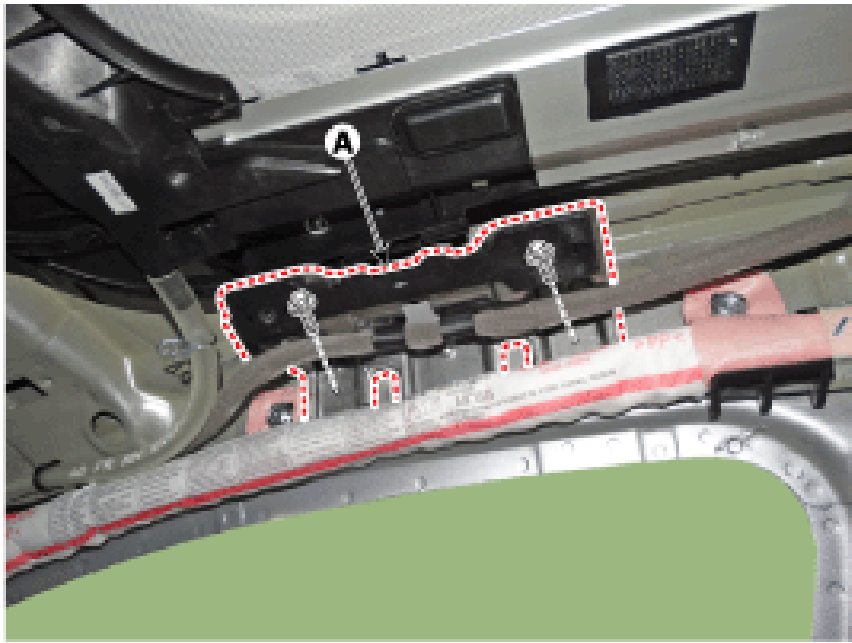
- Replacement
- When removing with a flat-tip screwdriver or remover, wrap protective tape around the tools to prevent damage to components. Put on glove to protect your hands.

# NOTICE

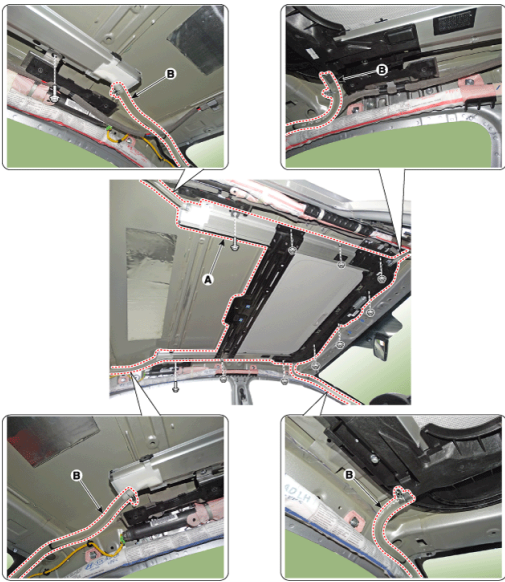
- When removing with a flat-tip screwdriver or remover, wrap protective tape around the tools to prevent damage to components.
- Put on glove to protect your hands.
- Remove the roof trim .
- Remove the sunroof glass. (Refer to Sunroof - "Sunroof Glass")
- Loosen the mounting screws and remove the sunroof motor (A).



- After loosening the mounting bolts, then remove the assist handle bracket (A).



- Disconnect the drain tubes (B).
- After loosening the mounding nuts and bolts, remove the sunroof assembly (A). Tightening torque : Bolt : 7.8 - 11.8 N.m (0.8 - 1.2 kgf.m, 5.8 - 8.7 lb-ft) Nut : 3.9 - 5.9 N.m (0.4 - 0.6 kgf.m, 2.9 - 4.3 lb-ft)



- To install, reverse the removal procedure. Make sure to initialize the motor.  
Make sure to initialize the motor.

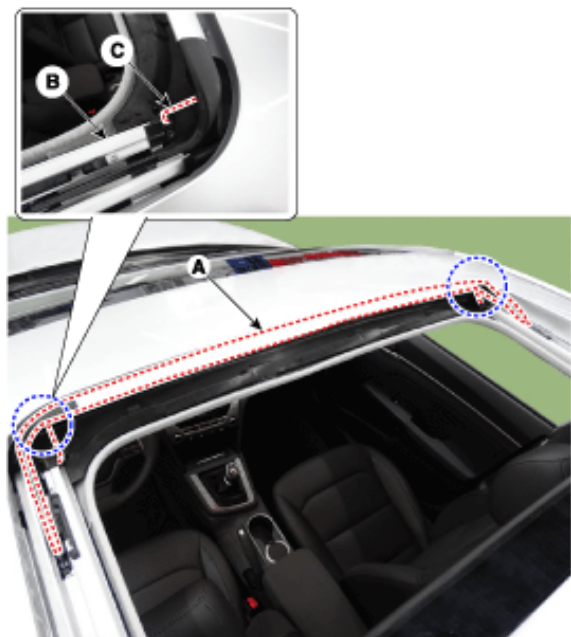


# Information

- Make sure to initialize the motor.

## **Sunroof Deflector - Repair Procedures (Article 44988)**

- Replacement
- Open the glass fully.
- Remove the mounting pins (C), from the frame (B), and then remove the deflector (A).



- To install, reverse the removal procedure.

### **Sunroof Glass - Repair Procedures (Article 44987)**

- Replacement

Put on glove to protect your hands.

# NOTICE

- Put on glove to protect your hands.

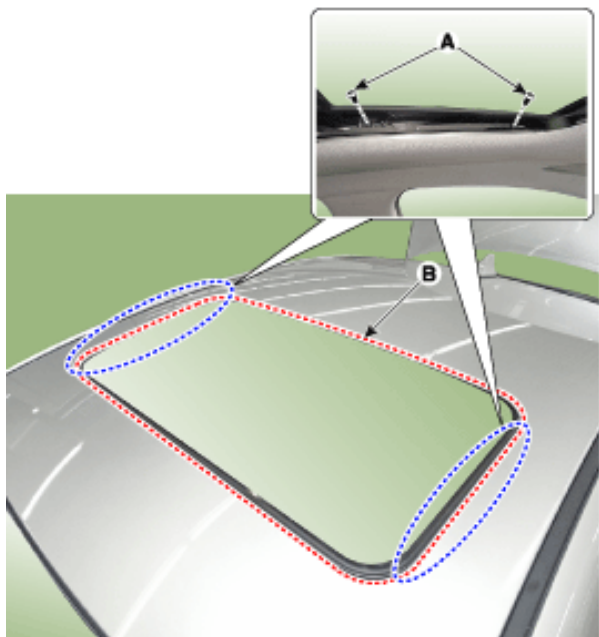
- Close the sunroof glass completely by pressing the sunroof switch .

- Loosen the mounting screws (A) and remove the sunroof glass (B). Do not damage the roof panel.

Do not damage the roof panel.

# ⚠ CAUTION

- Do not damage the roof panel.



- To install, reverse the removal procedure. After replacing the movable glass adjust the alignment if needed.  
After replacing the movable glass adjust the alignment if needed.

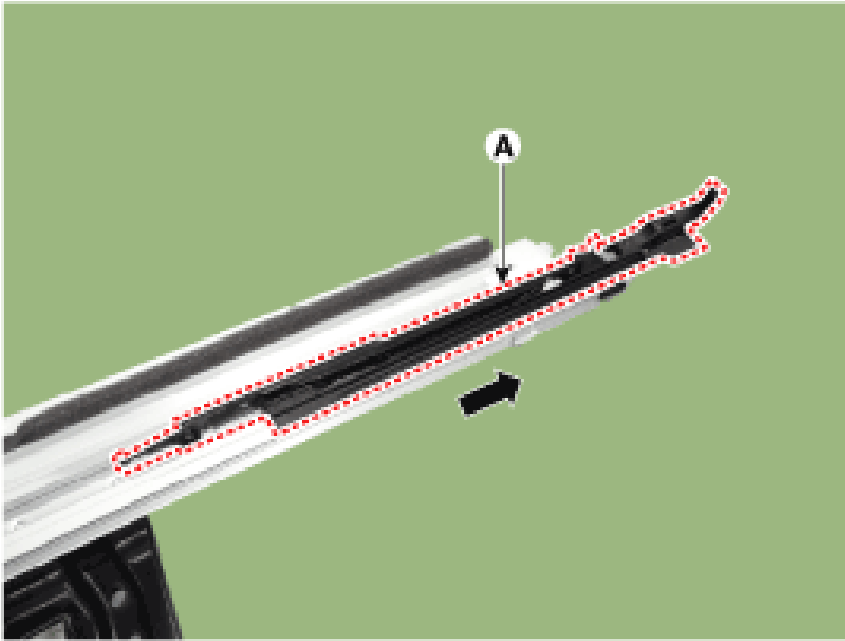


# Information

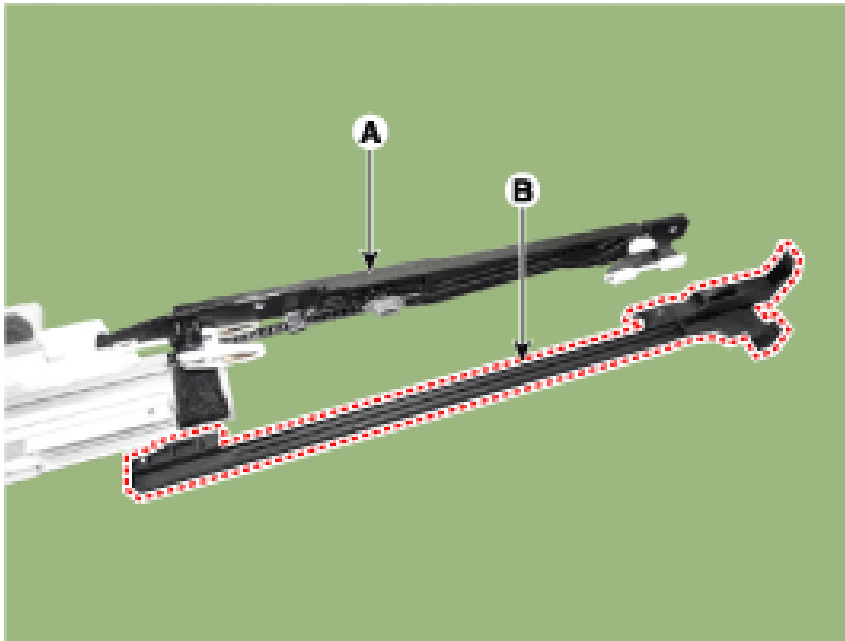
- After replacing the movable glass adjust the alignment if needed.

## **Sunroof Guide - Repair Procedures (Article 44992)**

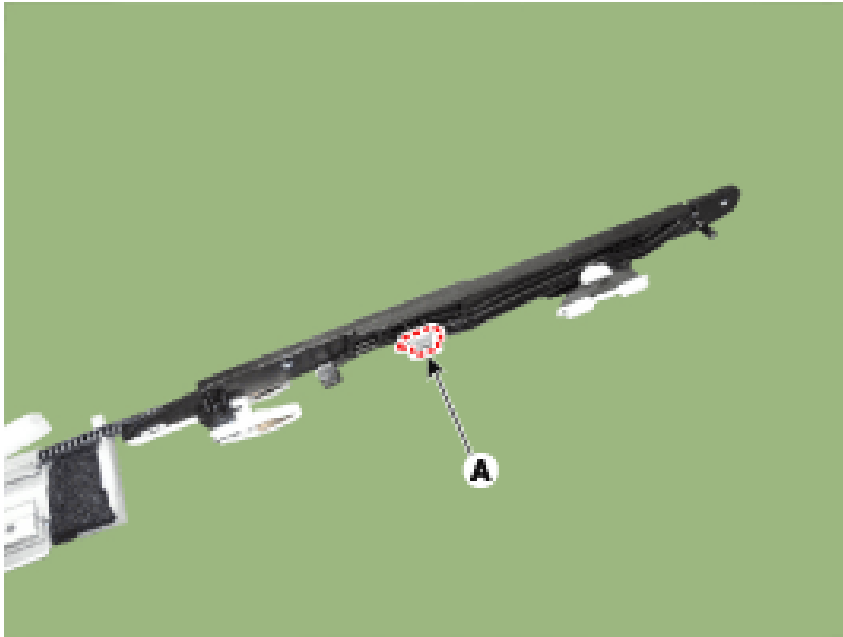
- Replacement
- Remove the sunroof assembly. (Refer to Sunroof - "Sunroof Assembly")
- Remove the sunroof sunshade. (Refer to Sunroof - "Sunroof Sunshade")
- Down the slide by pushing it and then remove the drip link assembly (A).



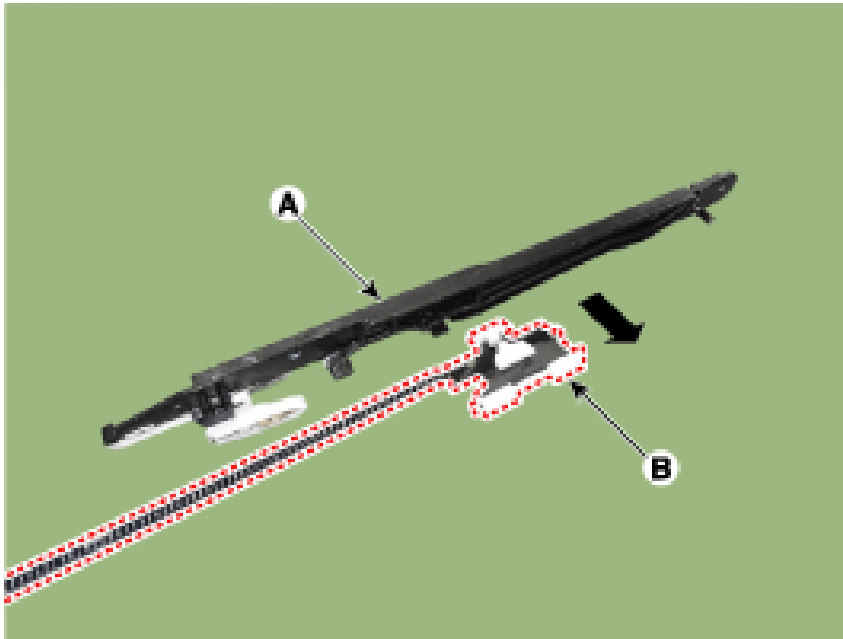
- Separate the drip link (B) and guide (A).



- Remove the shoe (A).

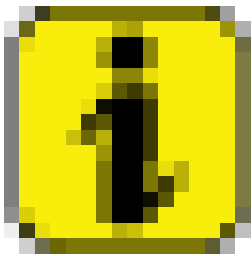


- Separate the guide assembly (A) and the cable (B) by pushing them in the direction of the arrow.



- To install, reverse the removal procedure. Place the position between (A) and (B) like the picture. Make sure to initialize the motor.

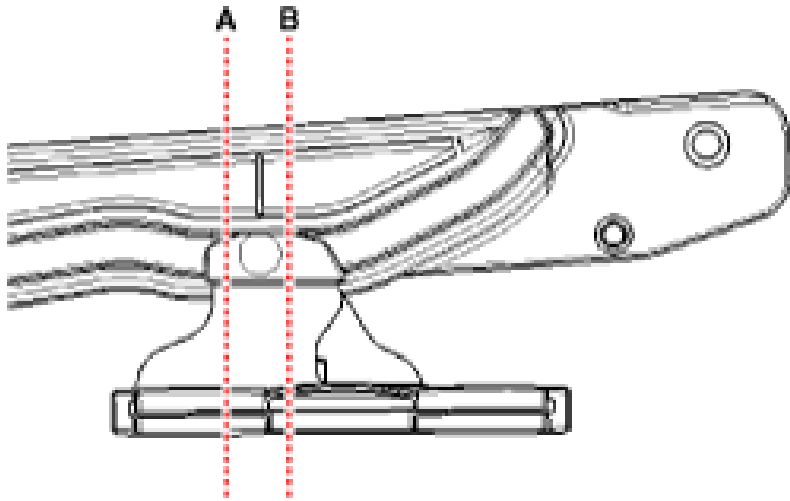
Place the position between (A) and (B) like the picture. Make sure to initialize the motor.



# Information

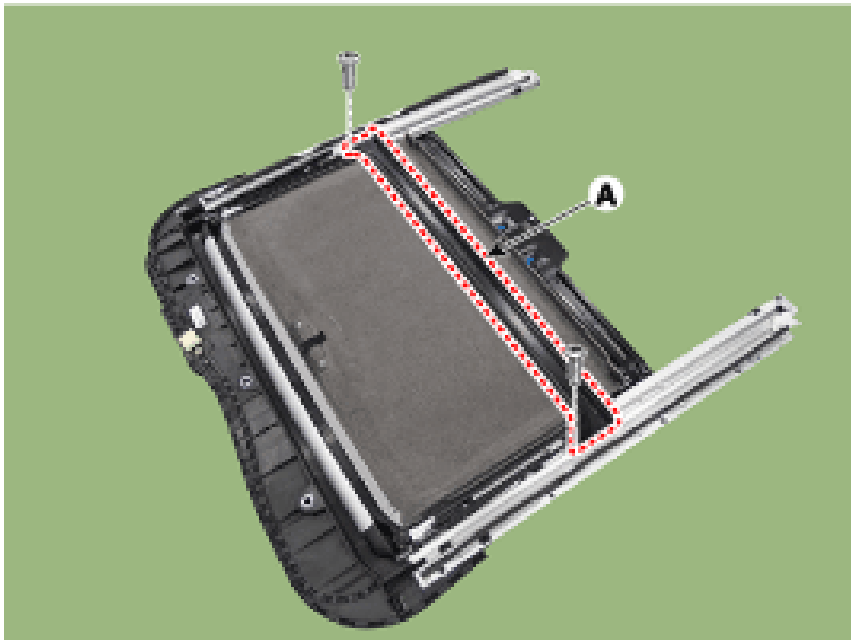
- Place the position between (A) and (B) like the picture.

- Make sure to initialize the motor.

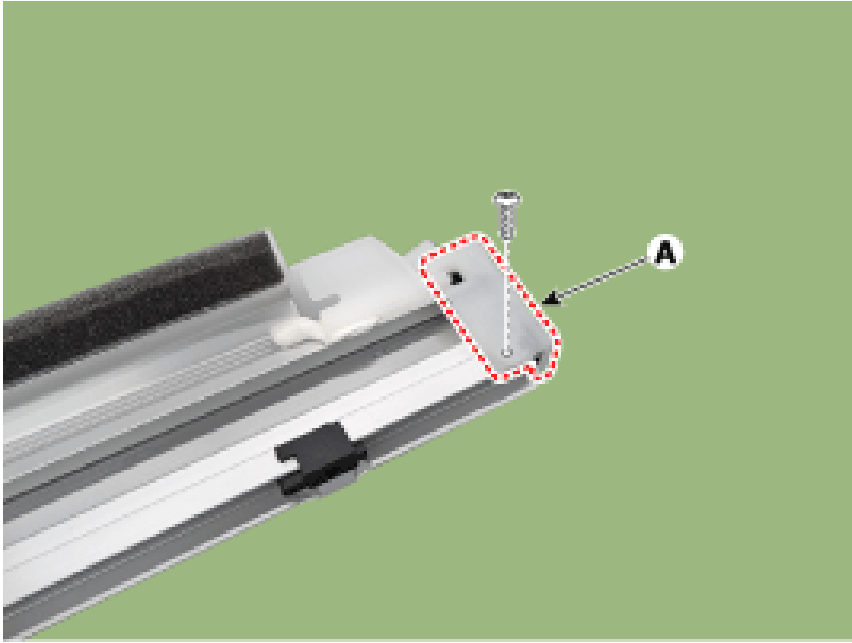


### Sunroof Sunshade - Repair Procedures (Article 44991)

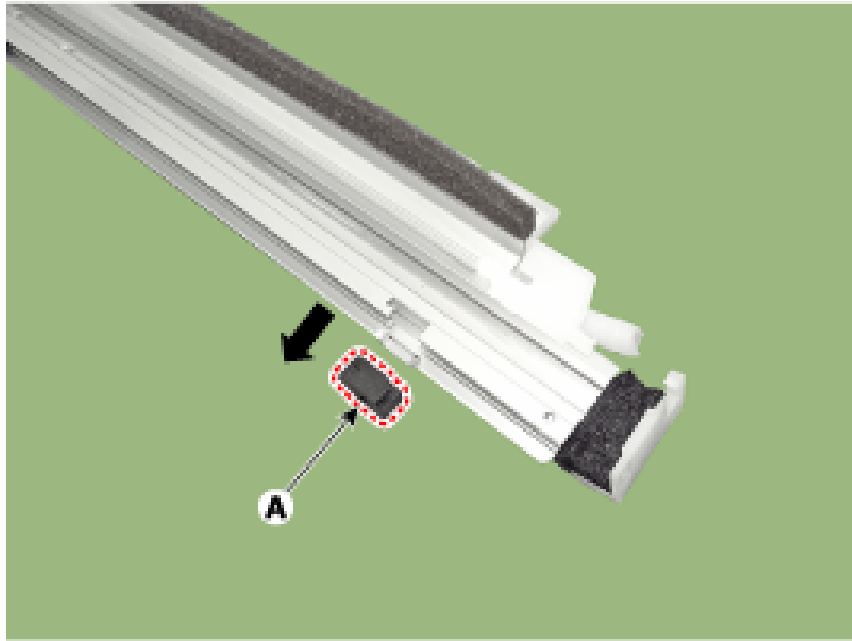
- Replacement
- Remove the sunroof assembly. (Refer to Sunroof - "Sunroof Assembly")
- After loosening the mounting screws, remove the drip rail assembly (A).



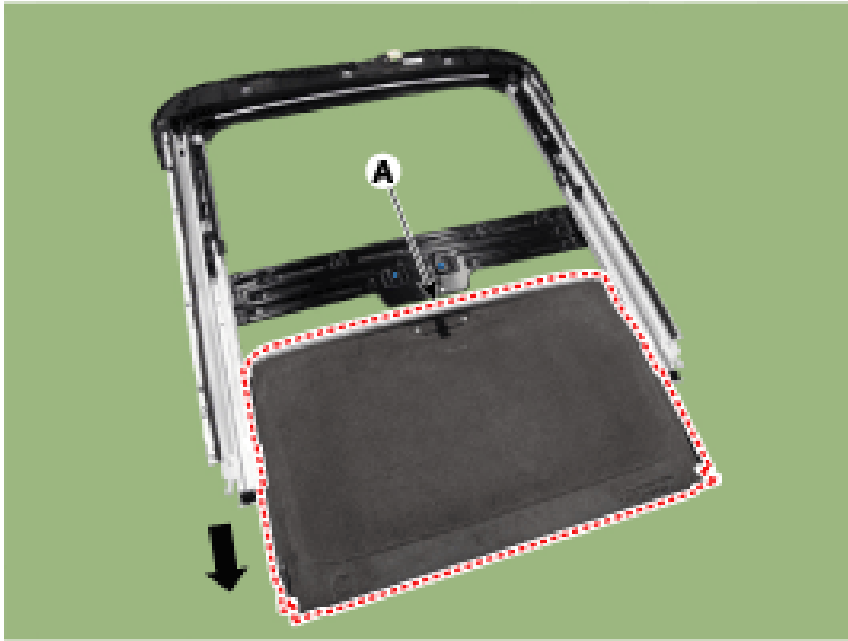
- After loosening the mounting screws, disengage the rear drip (A).



- Remove the stopper (A) by pushing it in the direction of the arrow.



- Remove the sunroof sunshade (A) by pushing it backward.



- To install, reverse the removal procedure.

## Sunroof System - Service Tips (Article 42575)

Sunroof System	Service Tips (1)																																																																						
<p><b>Circuit Description</b></p> <p>When the ignition switch is turned on, the sunroof can be tilted or slid to open it. It has a one-touch open/close function for opening or closing the sunroof with one switch operation. It also has an anti-pinch function which prevents objects from getting caught during closing.</p> <p>■ <b>Sunroof Switch Inspection</b></p> <p>Check the continuity between terminals from each switch position as shown in the table below and renew it if it doesn't have continuity.</p> <table border="1" style="width: 100%; border-collapse: collapse; text-align: center;"> <thead> <tr> <th style="text-align: left;">Terminal Position</th> <th style="text-align: center;">1 (SIG A)</th> <th style="text-align: center;">5 (SIG B)</th> <th style="text-align: center;">6 (SIG C)</th> <th style="text-align: center;">7</th> </tr> </thead> <tbody> <tr> <td>Open (1st click)</td> <td>○</td> <td>○</td> <td></td> <td></td> </tr> <tr> <td>Open (2nd click)</td> <td>○</td> <td>○</td> <td>○</td> <td></td> </tr> <tr> <td>Tilt up</td> <td>○</td> <td>○</td> <td></td> <td>○</td> </tr> <tr> <td>Tilt down</td> <td>○</td> <td>○</td> <td>○</td> <td></td> </tr> <tr> <td>Close (1st click)</td> <td>○</td> <td>○</td> <td></td> <td></td> </tr> <tr> <td>Close (2nd click)</td> <td>○</td> <td>○</td> <td>○</td> <td>○</td> </tr> </tbody> </table> <p>■ <b>Sunroof Motor Inspection</b></p> <p>Separate the sunroof connector and ground the terminal as shown in the table to check if it is operating normally.</p> <table border="1" style="width: 100%; border-collapse: collapse; text-align: center;"> <thead> <tr> <th style="text-align: left;">Terminal Position</th> <th style="text-align: center;">3</th> <th style="text-align: center;">2</th> <th style="text-align: center;">4</th> <th style="text-align: center;">10</th> </tr> </thead> <tbody> <tr> <td>Open (1st click)</td> <td>⊕</td> <td>⊖</td> <td></td> <td></td> </tr> <tr> <td>Open (2nd click)</td> <td>⊕</td> <td>⊖</td> <td></td> <td>⊖</td> </tr> <tr> <td>Tilt up</td> <td>⊕</td> <td></td> <td>⊖</td> <td></td> </tr> <tr> <td>Tilt down</td> <td>⊕</td> <td></td> <td></td> <td>⊖</td> </tr> <tr> <td>Close (1st click)</td> <td>⊕</td> <td></td> <td></td> <td>⊖</td> </tr> <tr> <td>Close (2nd click)</td> <td>⊕</td> <td></td> <td>⊖</td> <td>⊖</td> </tr> </tbody> </table>	Terminal Position	1 (SIG A)	5 (SIG B)	6 (SIG C)	7	Open (1st click)	○	○			Open (2nd click)	○	○	○		Tilt up	○	○		○	Tilt down	○	○	○		Close (1st click)	○	○			Close (2nd click)	○	○	○	○	Terminal Position	3	2	4	10	Open (1st click)	⊕	⊖			Open (2nd click)	⊕	⊖		⊖	Tilt up	⊕		⊖		Tilt down	⊕			⊖	Close (1st click)	⊕			⊖	Close (2nd click)	⊕		⊖	⊖	<p>■ <b>Resetting The Panorama Sunroof</b></p> <p>Whenever the vehicle battery is disconnected or discharged, or related fuse is blown, you must reset your sunroof system as follows:</p> <ol style="list-style-type: none"> <li>1. Turn the ignition switch to the ON position and close the sunroof glass and Blind completely.</li> <li>2. Release the control lever.</li> <li>3. Push the sunroof control lever forward in the direction of close (about 10 seconds) until the sunroof is moved a little. Then, release the lever.</li> <li>4. Push the sunroof control lever forward in the direction of close until the sunroof operates as follows: Tilt → Slide Open → Slide Close</li> </ol> <p>Then, release the control lever. When this is complete, the sunroof system is reset.</p>
Terminal Position	1 (SIG A)	5 (SIG B)	6 (SIG C)	7																																																																			
Open (1st click)	○	○																																																																					
Open (2nd click)	○	○	○																																																																				
Tilt up	○	○		○																																																																			
Tilt down	○	○	○																																																																				
Close (1st click)	○	○																																																																					
Close (2nd click)	○	○	○	○																																																																			
Terminal Position	3	2	4	10																																																																			
Open (1st click)	⊕	⊖																																																																					
Open (2nd click)	⊕	⊖		⊖																																																																			
Tilt up	⊕		⊖																																																																				
Tilt down	⊕			⊖																																																																			
Close (1st click)	⊕			⊖																																																																			
Close (2nd click)	⊕		⊖	⊖																																																																			