

Component Procedures: Fuel Filter

Table of Contents

1. Parts and Labor (itype_189)
2. Specifications Quick Reference (itype_439)
3. Fuel Filter - Repair Procedures (Article 44232)

Component Procedures: Fuel Filter

Parts and Labor (itype_189)

Parts

Qualifier	Part #	Name	Price	Note
Filters	31112C9000	Fuel Filter	60.97	

Labor

Operation	Qualifier Path	Skill	Std Hrs	Wty Hrs
Remove & Replace	Filters > Fuel Filter, R&R	C	0.3	0.0

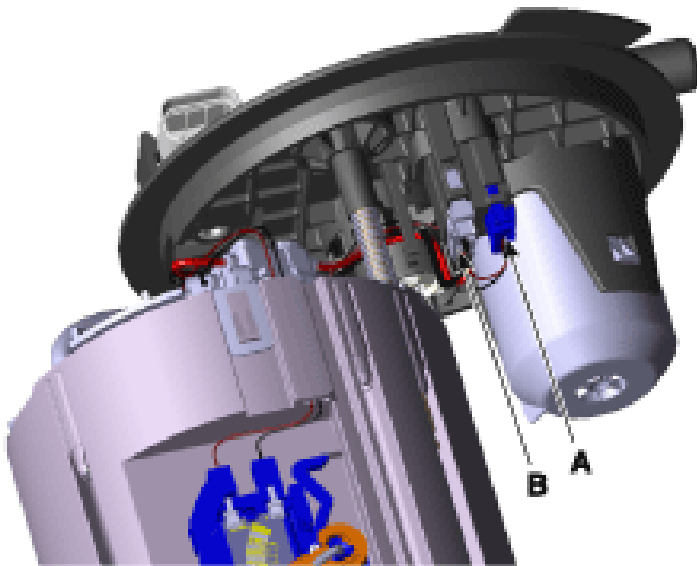
Specifications Quick Reference (itype_439)

Quick Specifications

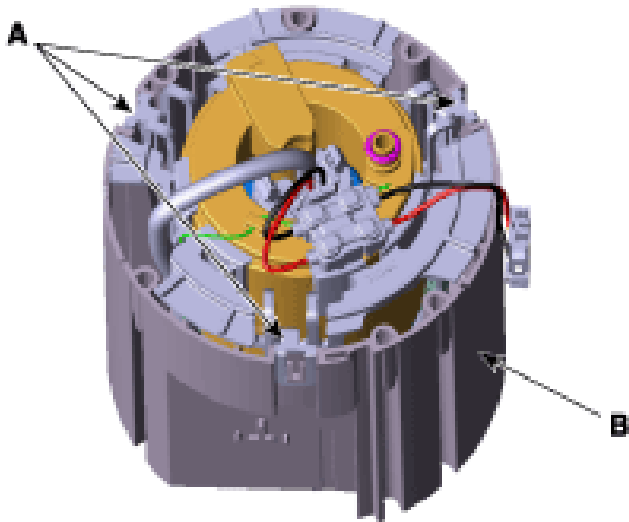
- item

Fuel Filter - Repair Procedures (Article 44232)

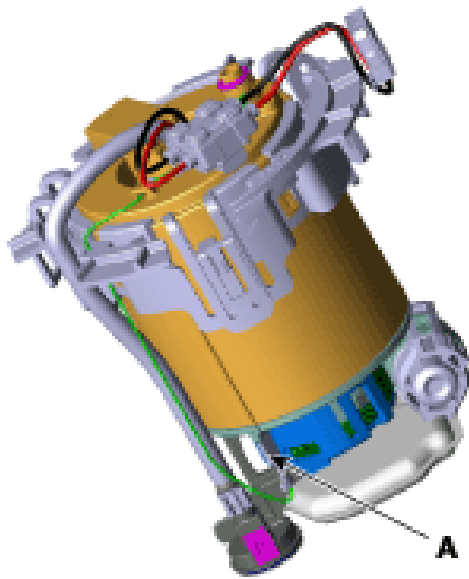
- Removal
- Remove the fuel pump . (Refer to Fuel Delivery System - "Fuel Pump")
- Disconnect the electric pump wiring connector (A) and the fuel sender connector (B).



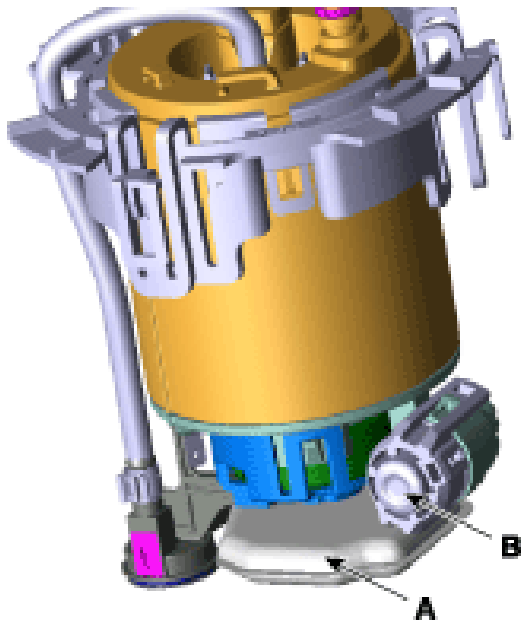
- Remove the head assembly (A) after releasing the cushion fixing hooks.
- Disconnect the fuel tube quick-connectors (B).



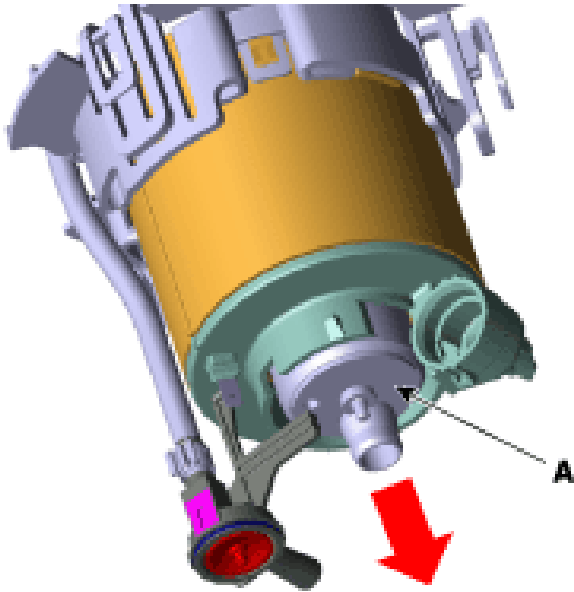
- Disconnect the ground (A).

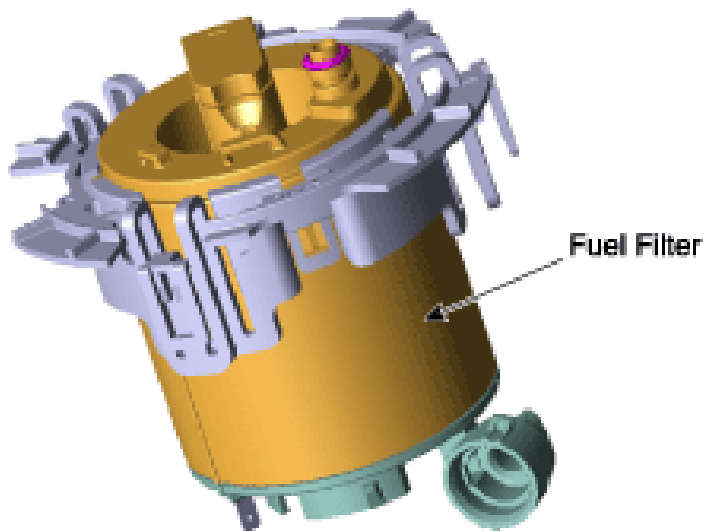


- Release the fixing hooks, and then remove the pre-filter (A) and the fuel pressure regulator (B).



- Remove the fuel pump motor (A) in the direction of arrow. Be careful of O-ring.





Be careful of O-ring.



- Be careful of O-ring.
- Installation
- Installation is reverse of removal.