

Component Procedures: Information Bus

Table of Contents

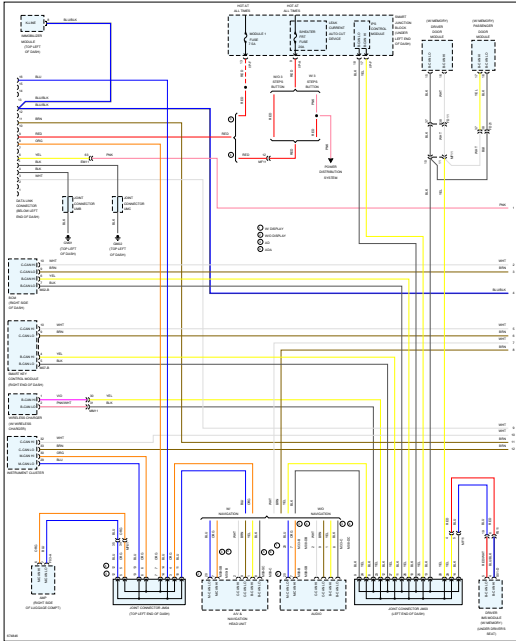
1. Computer Data Lines (Article 11381)
2. High Speed CAN Communication (ABS/ESC) - General Information (Article 30743)
3. High Speed CAN Communication (Amplifier) - General Information (Article 28426)
4. High Speed CAN Communication (Continuously Variable Transmission) - General Information (Article 41372)
5. High Speed CAN Communication (Parking Guide System) - General Information (Article 39318)
6. High Speed CAN Communication (SCC/AEB) - General Information (Article 39446)
7. High Speed CAN Communication (Wireless Power Charger) - General Information (Article 41610)
8. Low Speed CAN Communication (ABS/ESC) - General Information (Article 30942)
9. Low Speed CAN Communication (Amplifier) - General Information (Article 28428)
10. Low Speed CAN Communication (Parking Guide System) - General Information (Article 39320)
11. Low Speed CAN Communication (SCC/AEB) - General Information (Article 39476)
12. Low Speed CAN Communication (Wireless Power Charger) - General Information (Article 41612)

Component Procedures: Information Bus

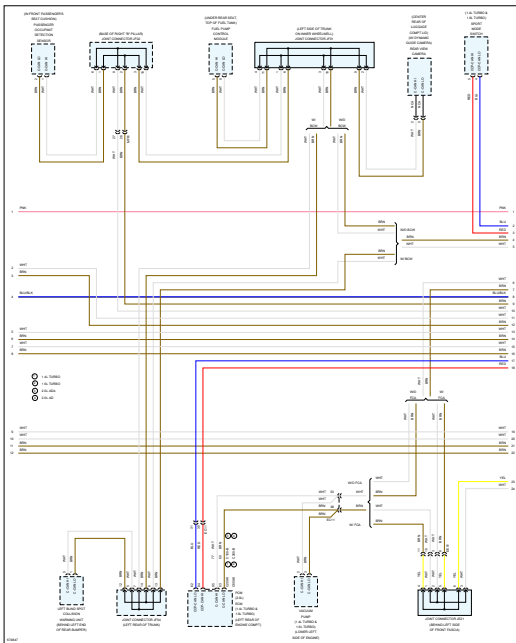
Computer Data Lines (Article 11381)

Computer Data Lines

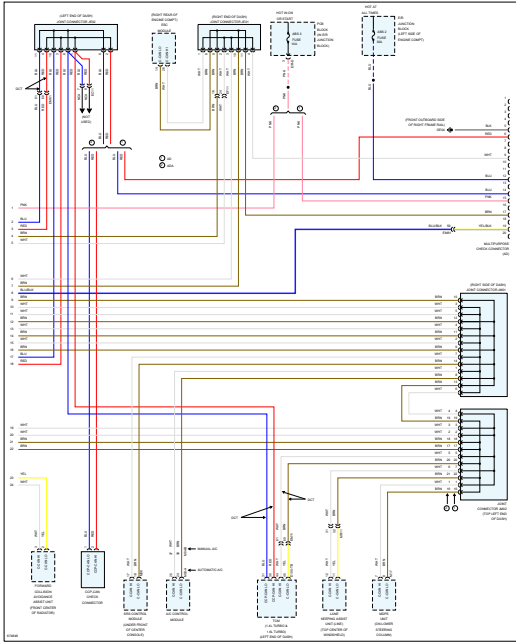
Page 1 of 3



Page 2 of 3

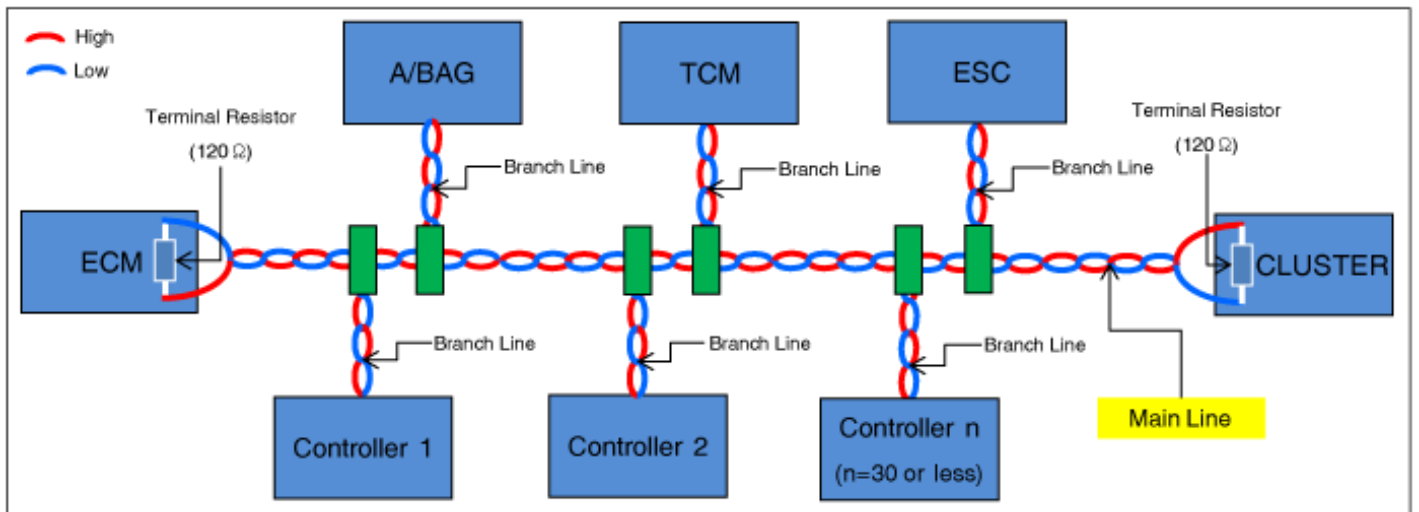


Page 3 of 3

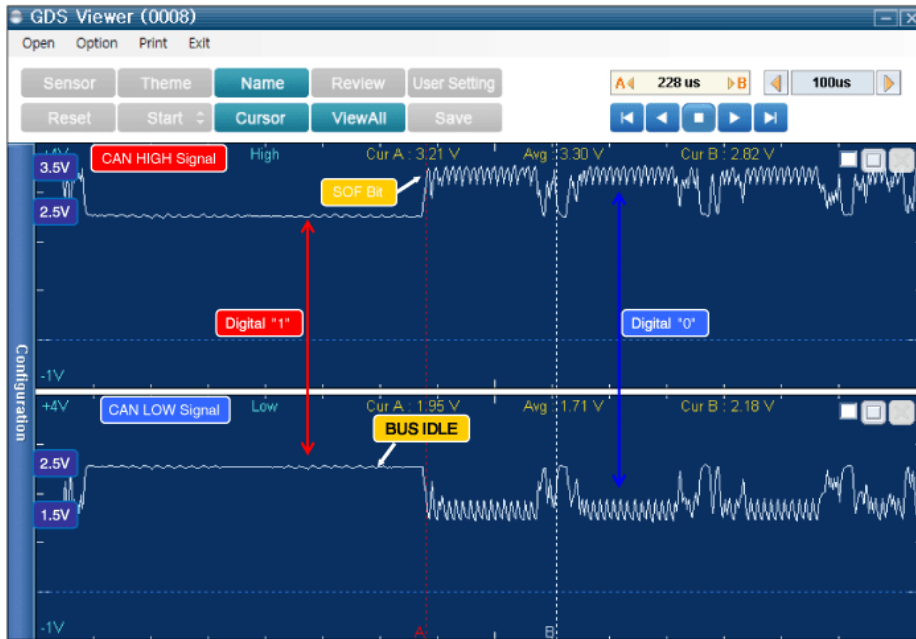


High Speed CAN Communication (ABS/ESC) - General Information (Article 30743)

- High Speed CAN Network

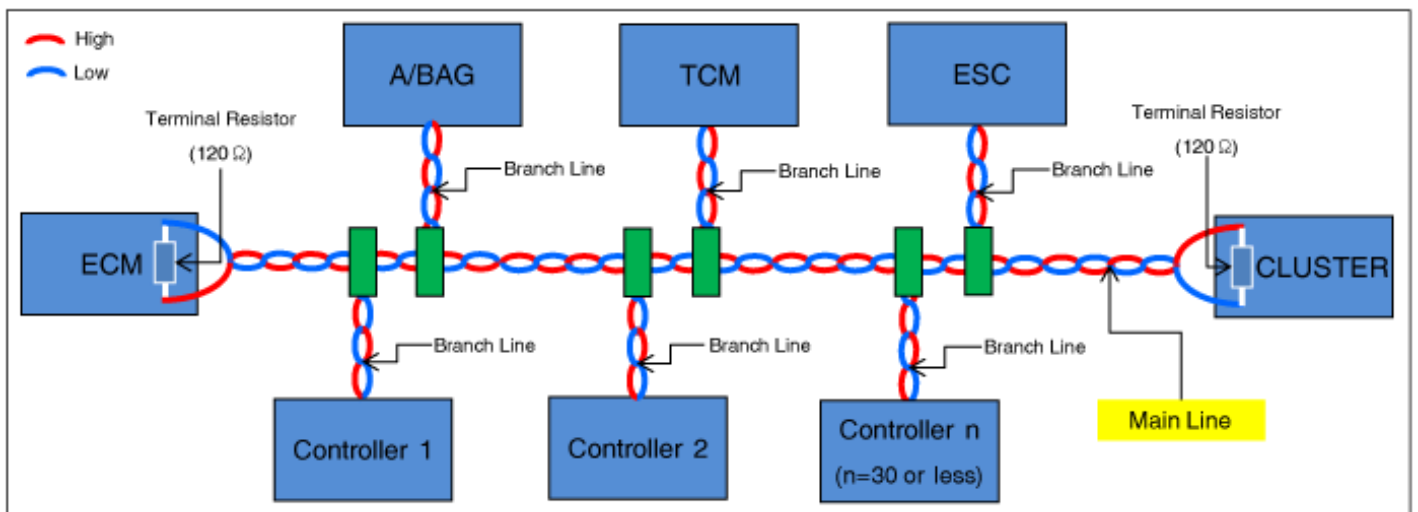


- Reference Waveform

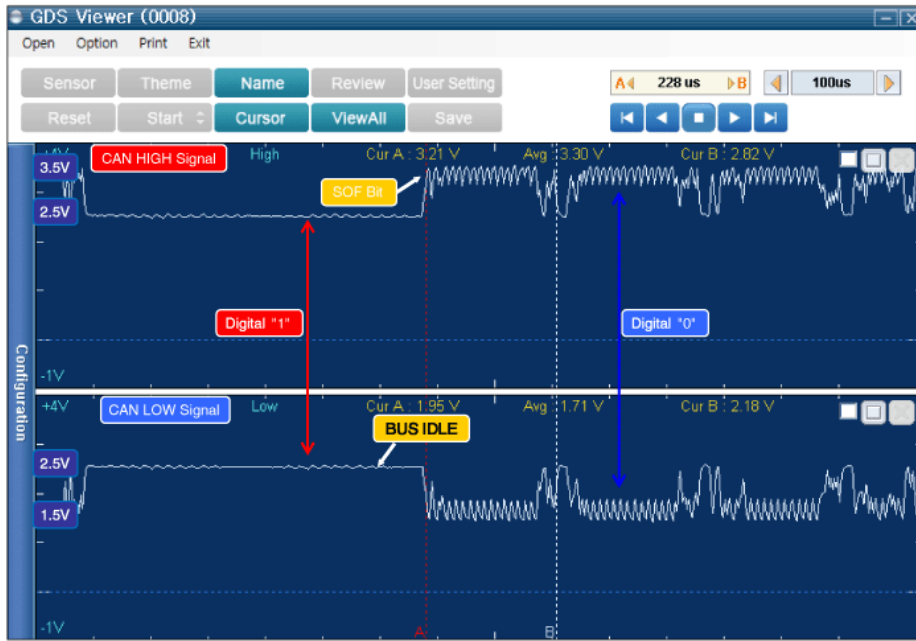


High Speed CAN Communication (Amplifier) - General Information (Article 28426)

- High Speed CAN Network

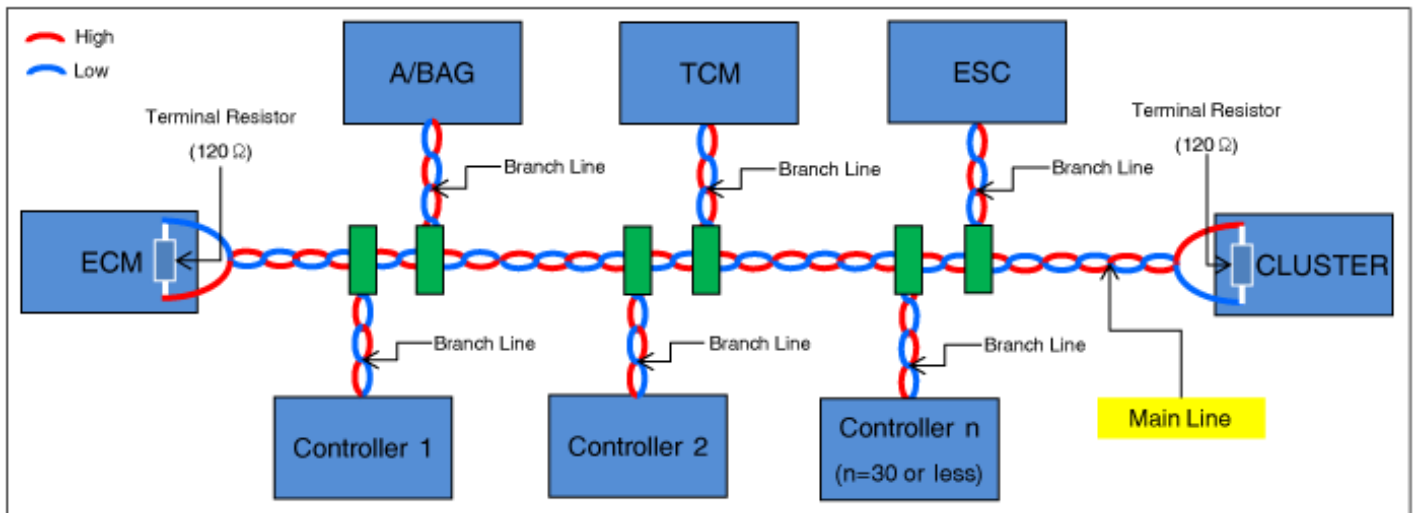


- Reference Waveform

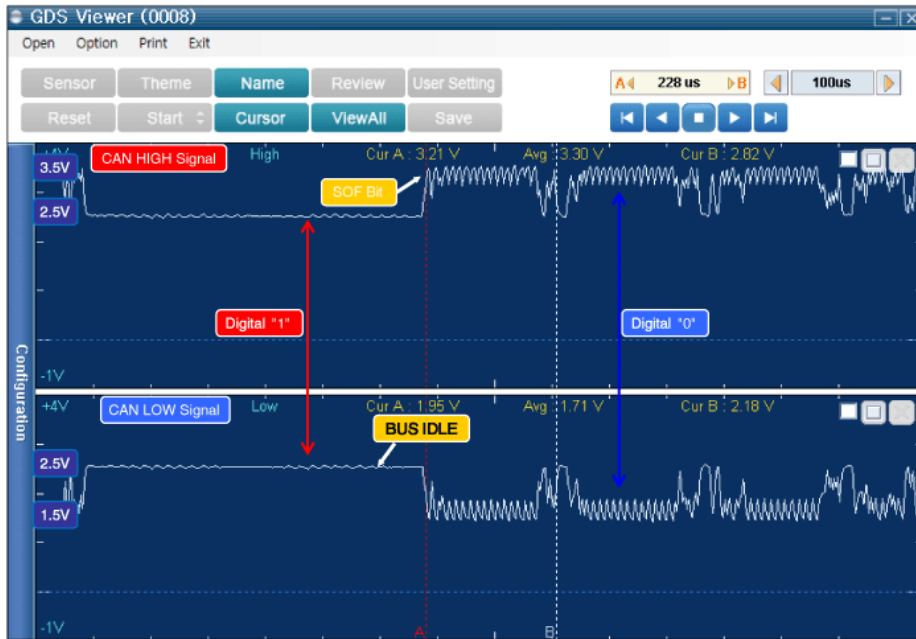


High Speed CAN Communication (Continuously Variable Transmission) - General Information (Article 41372)

- High Speed CAN Network

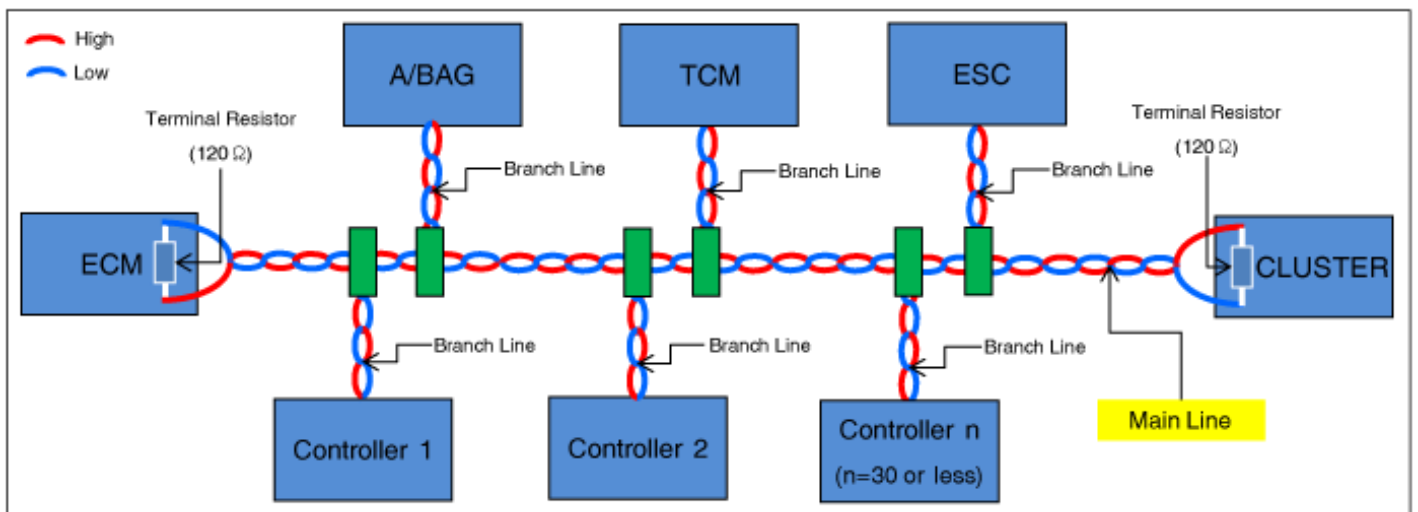


- Reference Waveform

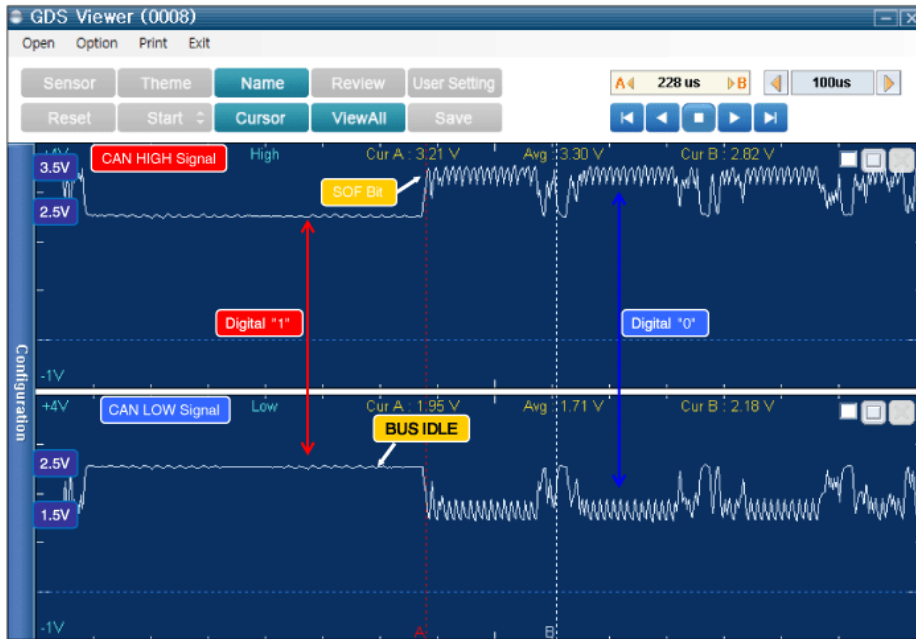


High Speed CAN Communication (Parking Guide System) - General Information (Article 39318)

- High Speed CAN Network

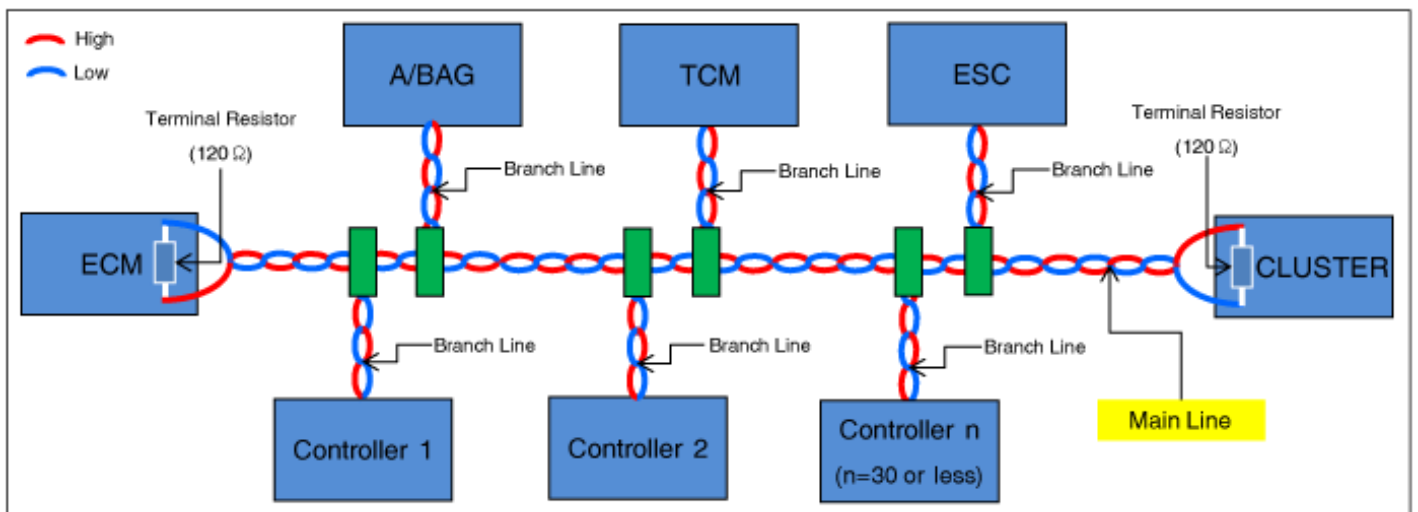


- Reference Waveform

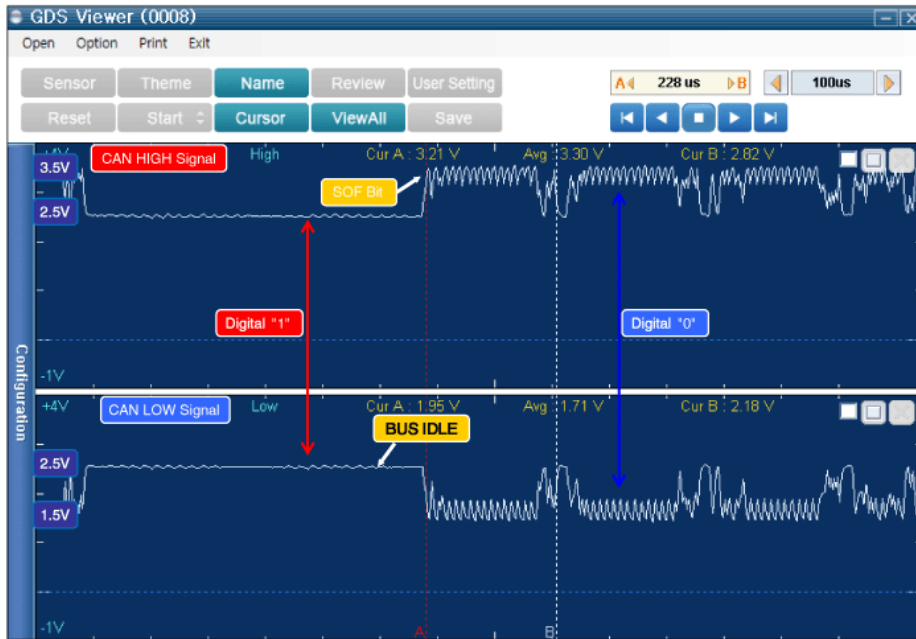


High Speed CAN Communication (SCC/AEB) - General Information (Article 39446)

- High Speed CAN Network

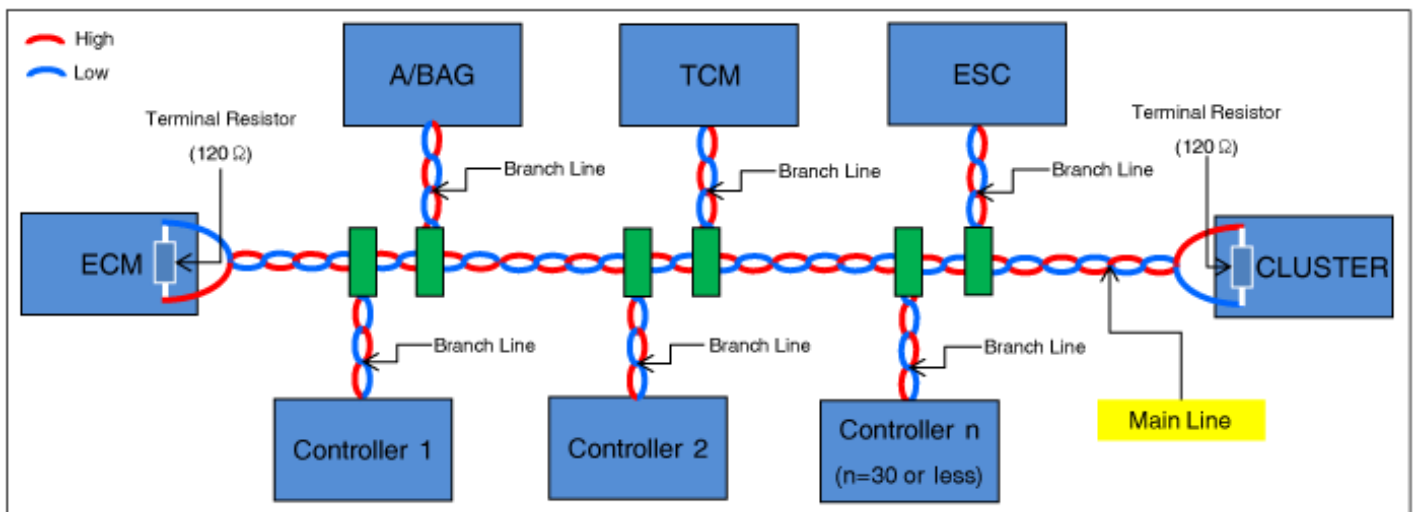


- Reference Waveform

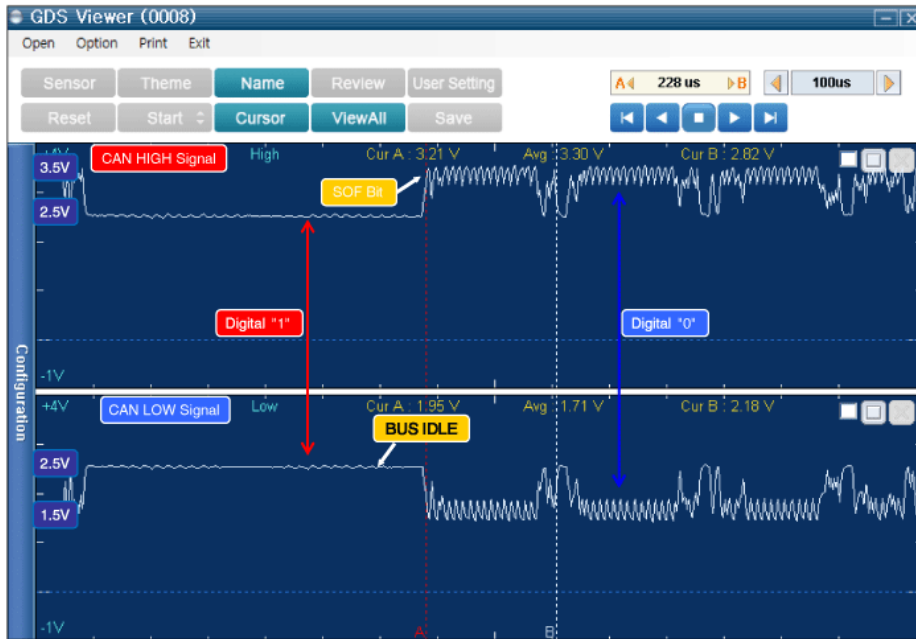


High Speed CAN Communication (Wireless Power Charger) - General Information (Article 41610)

- High Speed CAN Network

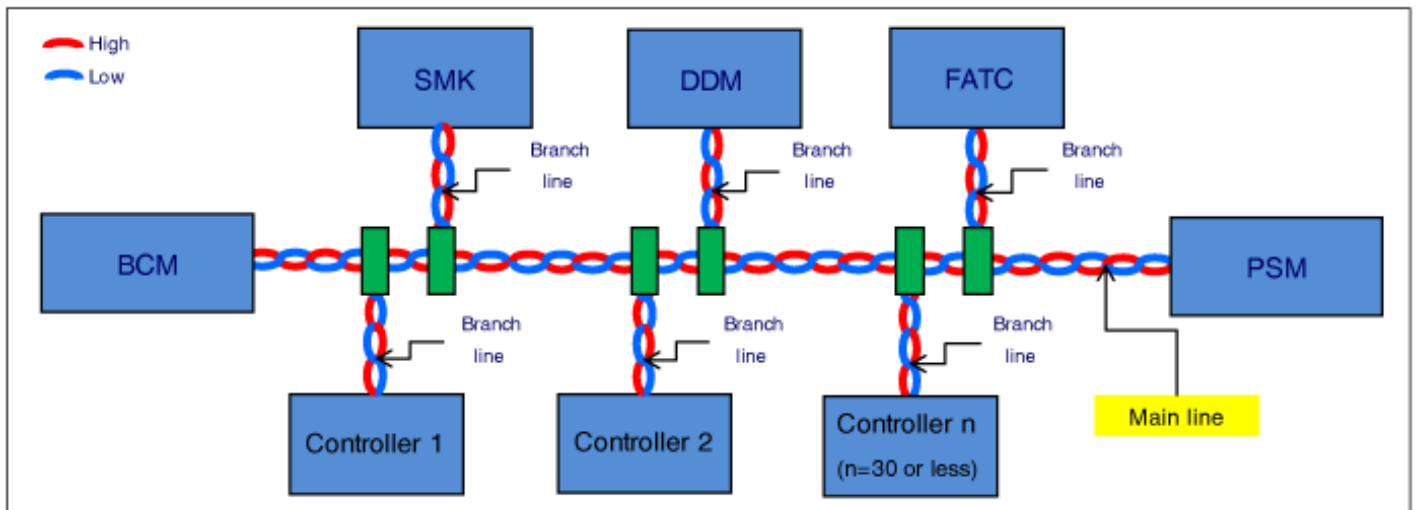


- Reference Waveform

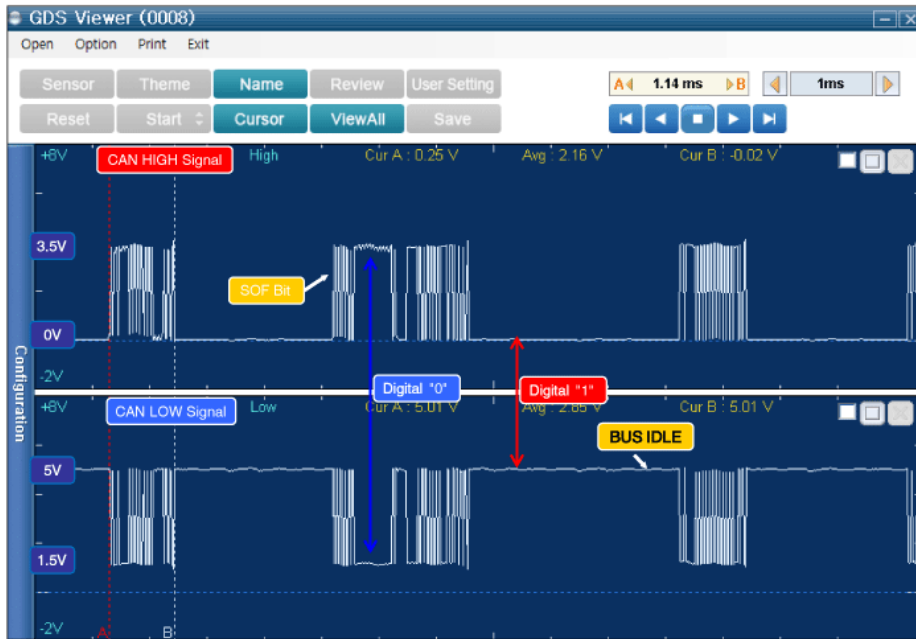


Low Speed CAN Communication (ABS/ESC) - General Information (Article 30942)

- Low Speed CAN Network

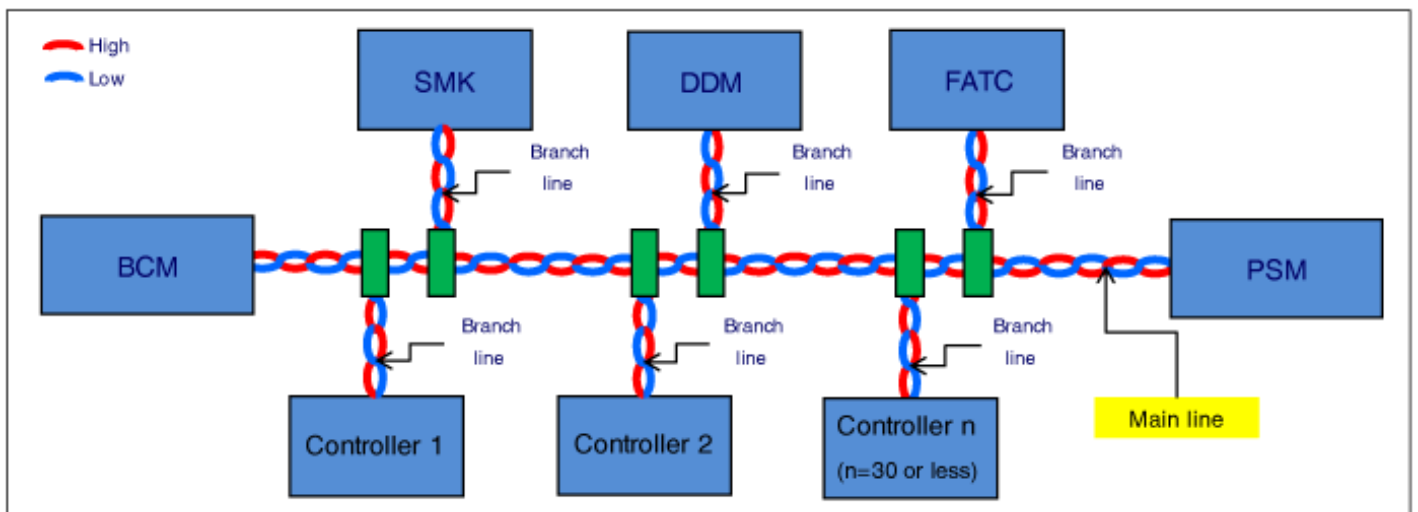


- Reference Waveform

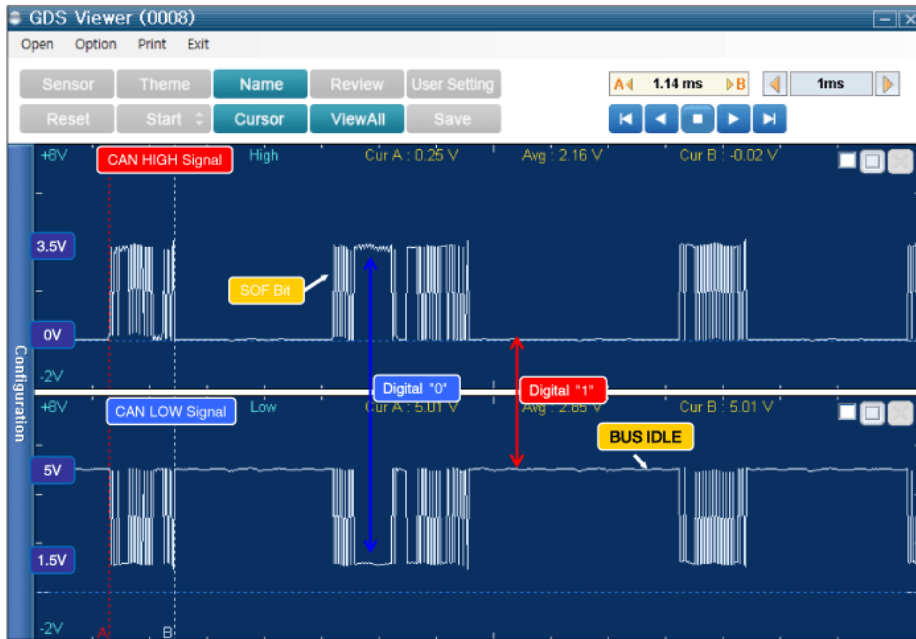


Low Speed CAN Communication (Amplifier) - General Information (Article 28428)

- Low Speed CAN Network

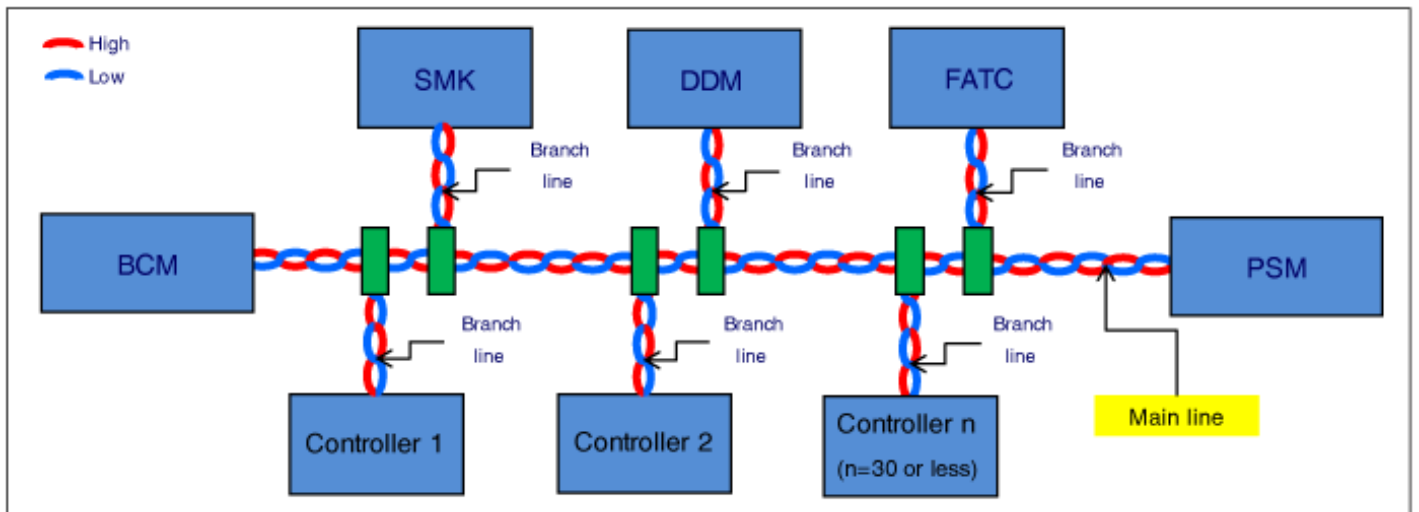


- Reference Waveform

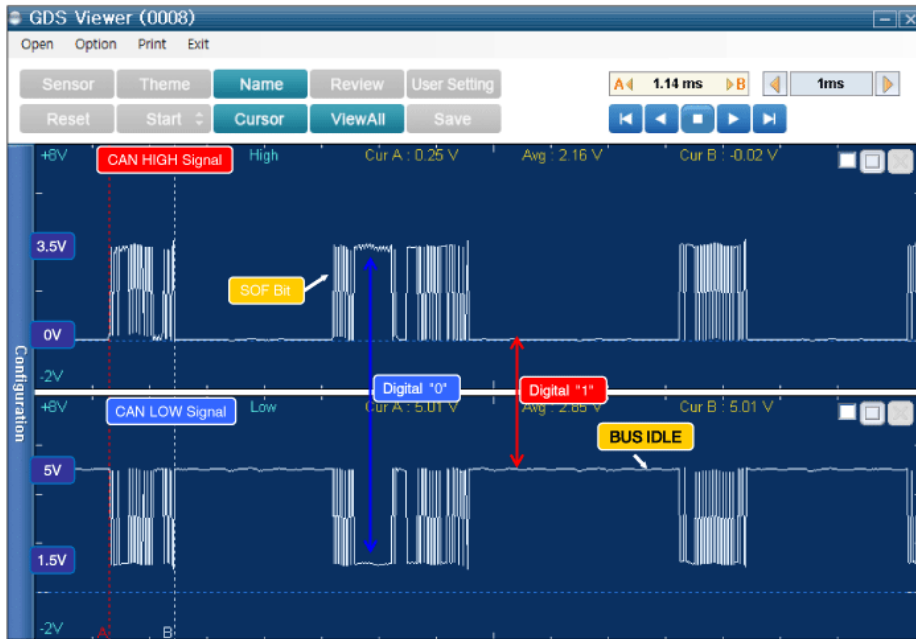


Low Speed CAN Communication (Parking Guide System) - General Information (Article 39320)

- Low Speed CAN Network

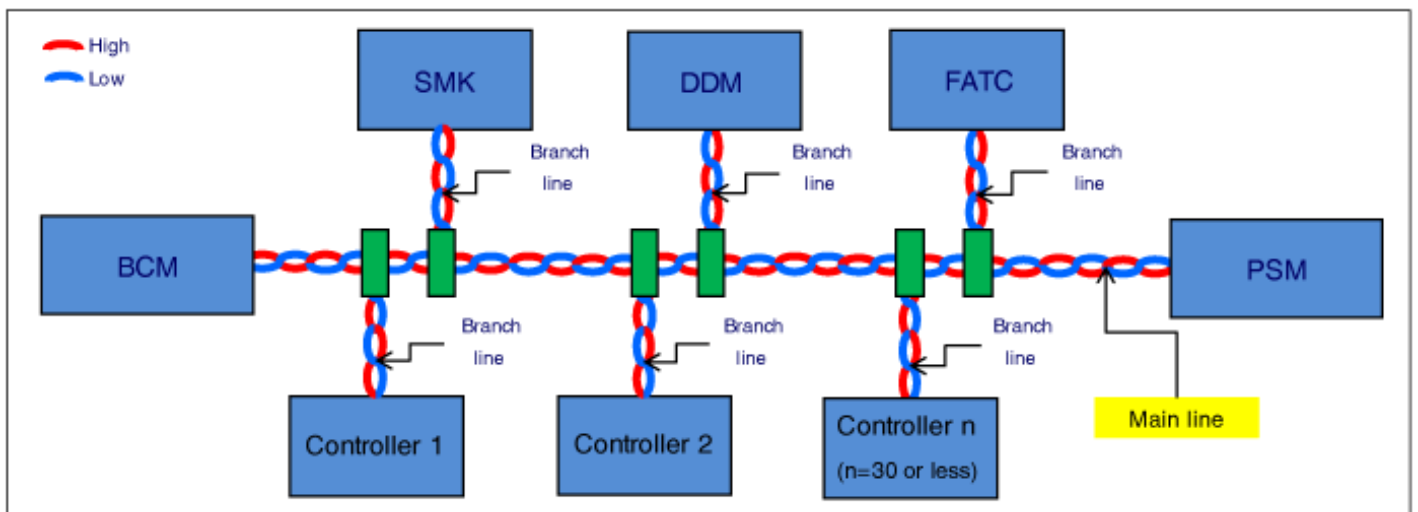


- Reference Waveform

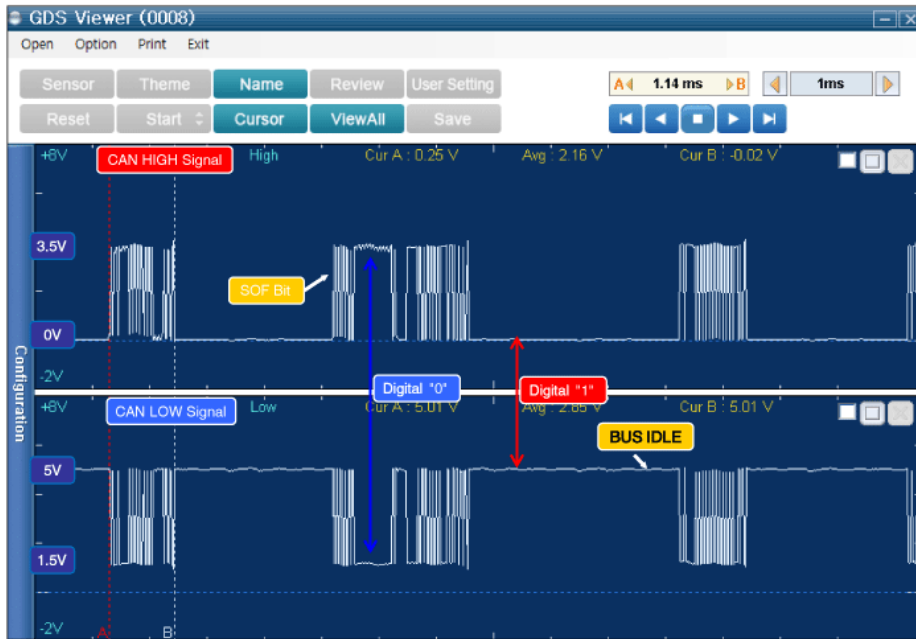


Low Speed CAN Communication (SCC/AEB) - General Information (Article 39476)

- Low Speed CAN Network

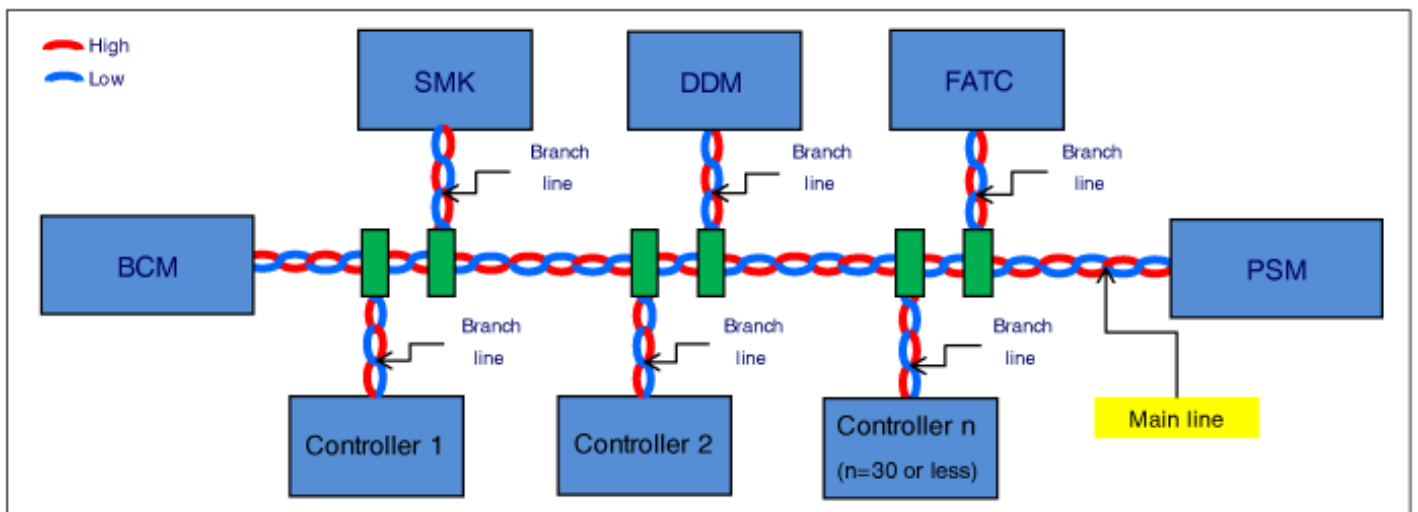


- Reference Waveform



Low Speed CAN Communication (Wireless Power Charger) - General Information (Article 41612)

- Low Speed CAN Network



- Reference Waveform

