

Component Procedures: Seat Temperature Switch

Table of Contents

1. Parts and Labor (itype_189)
2. Seat Heater Switch - Schematic Diagrams (Article 44562)
3. Seat Heater Switch - Components and Components Location (Article 44561)
4. Seat Heater Switch - Repair Procedures (Article 44564)

Component Procedures: Seat Temperature Switch

Parts and Labor (itype_189)

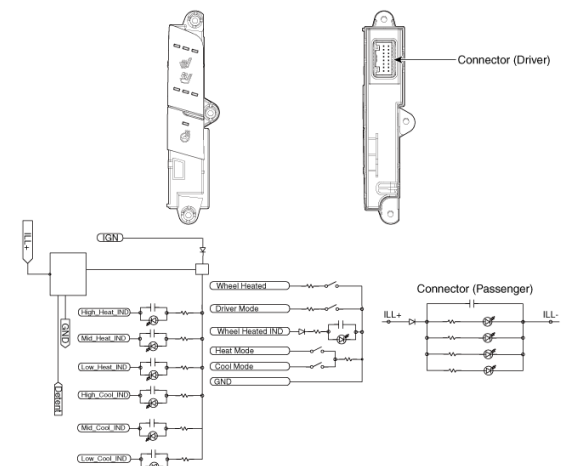
Parts

Qualifier	Part #	Name	Price	Note
Heated Seats > Switch		Part Of Ac Control Uni?	0.00	

Seat Heater Switch - Schematic Diagrams (Article 44562)

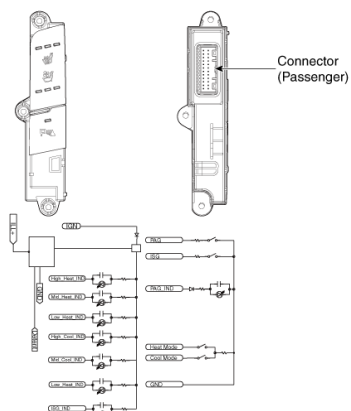
- Circuit Diagram

[Front Seat Heater Switch (Driver)]



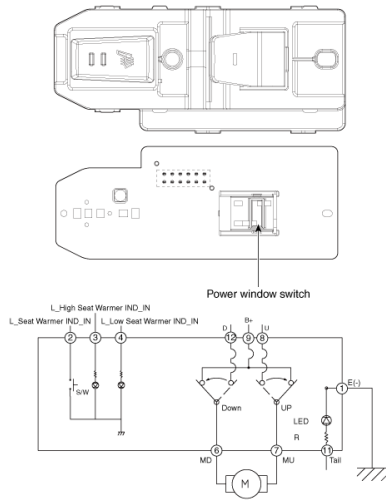
Connector (Driver)		No	Description	No	Description
	1	GND	9	Vent switch (Driver)	
	2	Vent indicator (Mid)	10	Heater switch (Assist)	
	3	Heater indicator (High)	11	DMS Switch	
	4	Vent indicator (High)	12	Heated steering wheel indicator	
	5	Vent indicator (Low)	13	IGN	
	6	Heater indicator (Mid)	14	Illumination (+)	
	7	Heated steering wheel switch	15	Heater indicator (Low)	
	8	-	16	Illumination (-)	

[Front Seat Heater Sw itch (Passenger)]



Connector (Passenger)		No	Description	No	Description
	1	GND	13	Illumination (-)	
	2	-	14	-	
	3	Vent indicator (Mid)	15	Heater switch	
	4	Heater indicator (High)	16	Vent switch	
	5	Vent indicator (High)	17	-	
	6	Vent indicator (Low)	18	-	
	7	-	19	-	
	8	-	20	-	
	9	Heater indicator (Mid)	21	Heater indicator (Low)	
	10	PAS Switch	22	PAS Indicator	
	11	ESC OFF	23	ESC OFF Indicator	
	12	IGN	24	Illumination (+)	

[Rear Seat]



Power window switch	No	Description	No	Description
	1	GND	7	Power window (Up)
	2	Heater indicator	8	-
	3	Heater indicator (High)	9	Battery (+)
	4	Heater indicator (Low)	10	-
	5	-	11	Illumination (-)
	6	Power window (Down)	12	-

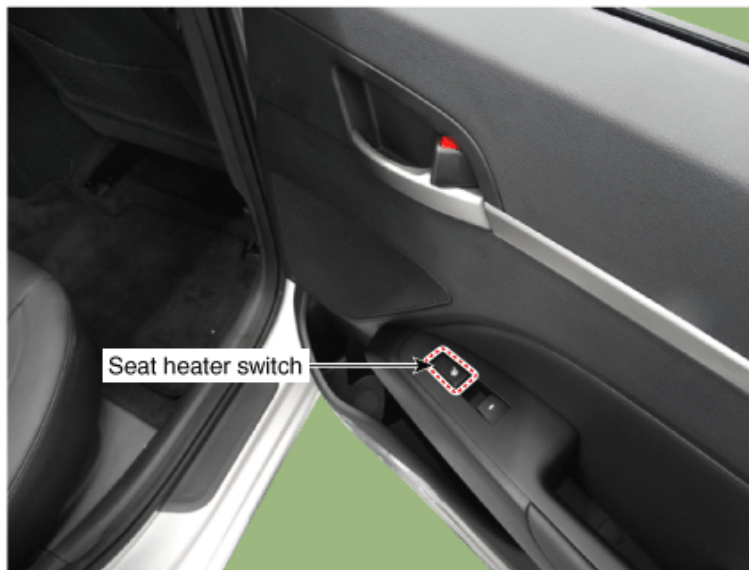
Seat Heater Switch - Components and Components Location (Article 44561)

- Components

[Front Seat]



[Rear Seat]



Seat Heater Switch - Repair Procedures (Article 44564)

- Removal

[Front Seat]

- Disconnect the negative (-) battery terminal.

- Remove the floor console assembly. (Refer to Body - "Floor Console Assembly")



[Rear Seat]

- Remove the rear door window switch . (Refer to Power Windows - "Power Window Switch")

- Installation

[Front Seat Heater Switch]

- Install the floor consol assembly.

- Connect the negative (-) battery terminal.

[Rear Seat Heater Sw itch]

- Install the rear door window switch .