

Component Procedures: Starter Relay

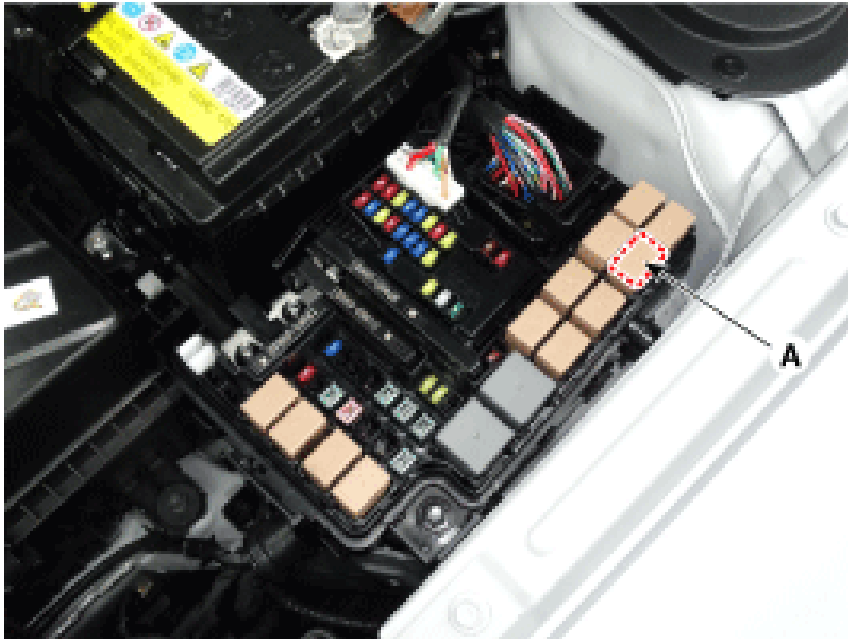
Table of Contents

1. Starter Relay - Repair Procedures (Article 44053)

Component Procedures: Starter Relay

Starter Relay - Repair Procedures (Article 44053)

- Inspection
- Turn ignition switch OFF and disconnect the negative (-) battery cable .
- Remove the fuse box cover.
- Remove the starter relay (A).



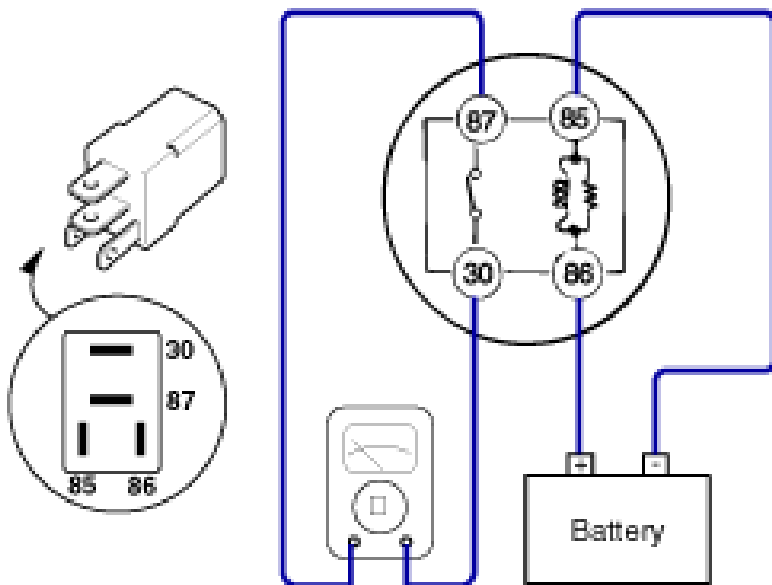
- Using an ohmmeter, check that there is continuity between each terminal. Terminal Continuity 30 - 87 NO 85 - 86 YES

Terminal Continuity

30 - 87 NO

85 - 86 YES

- Apply 12V to terminal 85 and ground to terminal 86. Check for continuity between terminals 30 and 87.



- If there is no continuity, replace the starter relay .
- Install the starter relay.
- Install the fuse box cover.