

Component Procedures: Ignition Switch

Table of Contents

1. Parts and Labor (itype_189)
2. Ignition Switch Assembly - Repair Procedures (Article 44710)

Component Procedures: Ignition Switch

Parts and Labor (itype_189)

Parts

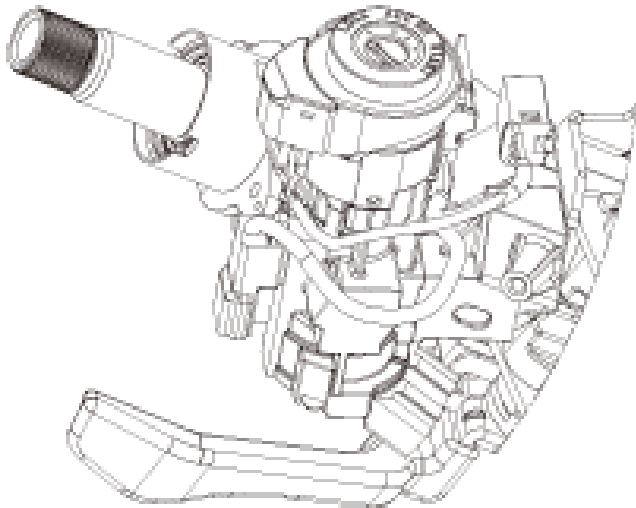
| Qualifier | Part # | Name | Price | Note |
|-------------------------------|---------------|-------------------------|--------|------|
| Ignition Lock > Ignition Swi? | 81910F2130 | With Inter Lock System | 196.74 | |
| Ignition Lock > Ignition Swi? | 81910F2110 | Without Inter Lock Sys? | 193.21 | |
| Ignition Lock > Ignition Swi? | 81910F2110 | Without Inter. Lock | 193.21 | |
| Ignition Lock > Power Switch | 95430F2510KEX | With Sport | 105.27 | |
| Ignition Lock > Power Switch | 93502F2500SSH | Without Sport | 129.90 | |

Labor

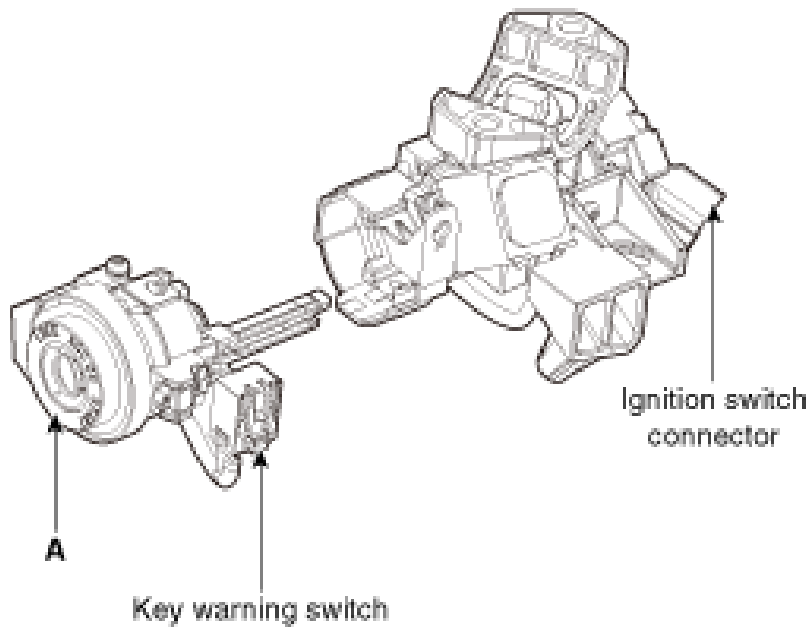
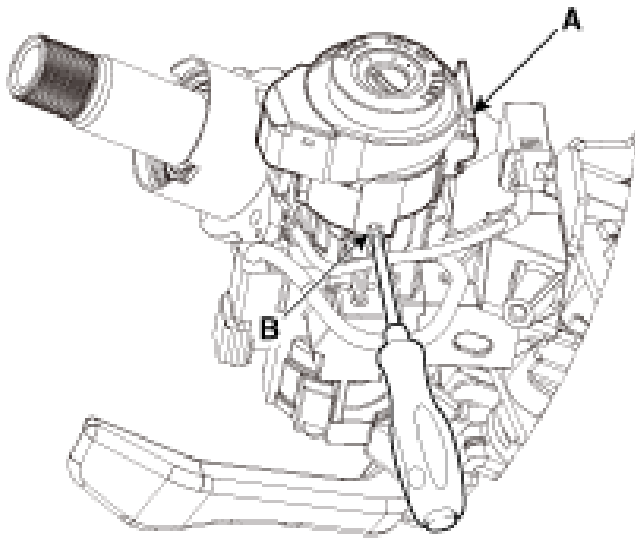
| Operation | Qualifier Path | Skill | Std Hrs | Wty Hrs |
|------------------|--------------------------------------|-------|---------|---------|
| Remove & Replace | Ignition Lock > Ignition Switch, R&R | B | 0.8 | 0.0 |
| Remove & Replace | Ignition Lock > Power Switch, R&R | B | 0.8 | 0.0 |

Ignition Switch Assembly - Repair Procedures (Article 44710)

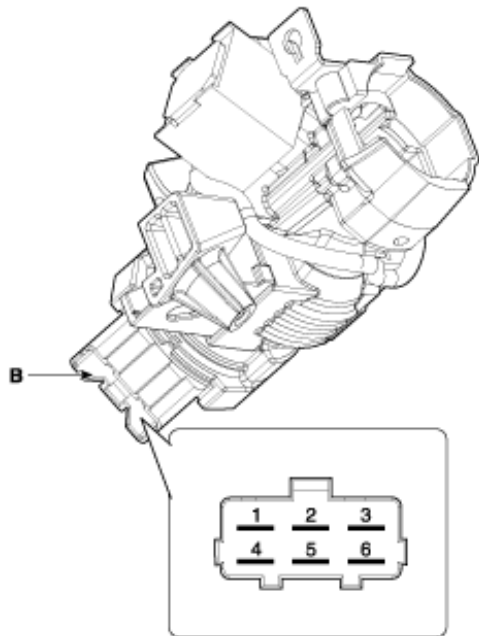
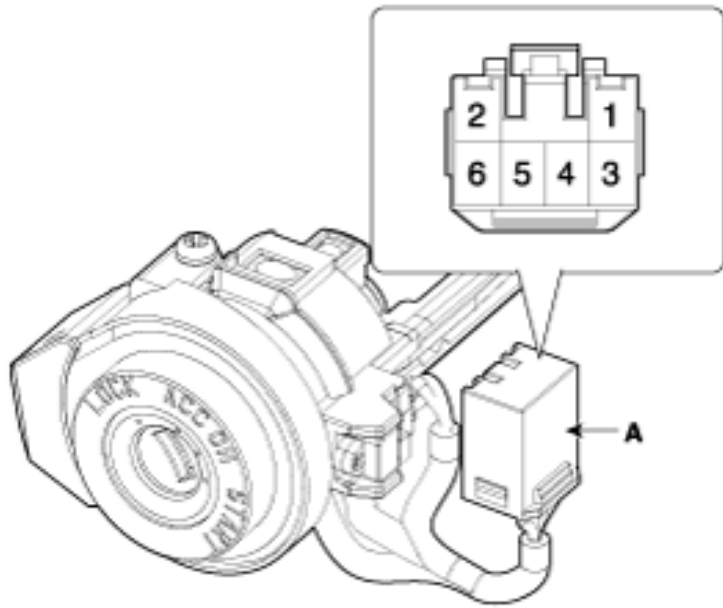
- Replacement
- Disconnect the negative (-) battery terminal.
- Remove the crash pad lower panel. (Refer to Body - "Crash Pad")
- Remove the steering column upper & Lower shroud.
- Remove the ignition switch (A) and disconnecting the Key Warning / immobilizer connector.



- If it is necessary to remove the key lock cylinder (A), remove the key lock cylinder (A) after pushing lock pin (B) with key ACC.



- Installation is the reverse of removal procedure.
- Inspection
- Disconnect the ignition switch connector (A) and key warning switch connector (B) from under the steering column.



- Check for continuity between the terminals.
- If continuity is not specified, replace the switch.

| Position | Key | Terminal | Ignition switch (B) | | | | | | Key warning switch (A) | | Key hole illumination (A) | |
|----------|---------|----------|---------------------|---------|----------|--------|----------|--------|------------------------|---|---------------------------|---|
| | | | 5 (B1) | 6 (ACC) | 4 (IGN1) | 1 (B2) | 2 (IGN2) | 3 (ST) | 3 | 4 | 5 | 6 |
| LOCK | Removal | | | | | | | | | | | |
| | Insert | | ○—○ | | | | | ○—○ | ○—○ | | | |
| | | | ○—○—○ | | | ○—○ | | | | | | |
| | | | ○—○—○ | | | ○—○—○ | | | | | | |
| START | | ○—○—○ | | | ○—○—○ | | | | | | | |