

Component Procedures: Fuel Level Sensor

Table of Contents

1. Parts and Labor (itype_189)
2. Fuel Sensor - Repair Procedures (Article 44234)

Component Procedures: Fuel Level Sensor

Parts and Labor (itype_189)

Parts

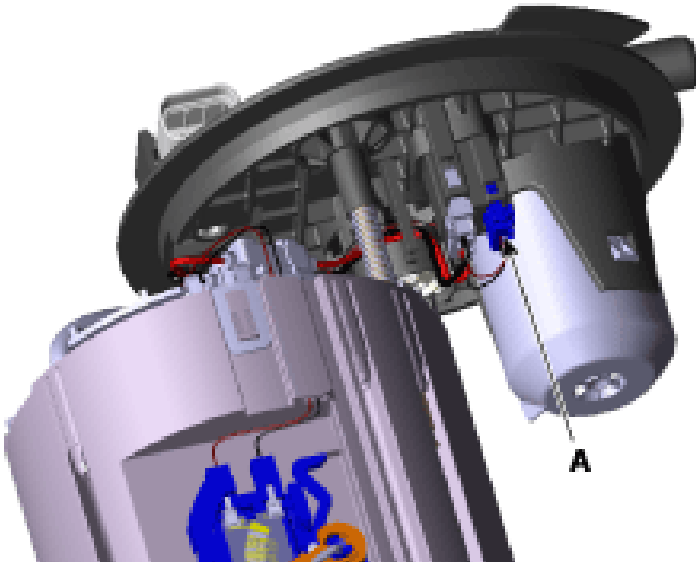
Qualifier	Part #	Name	Price	Note
Senders	94460F3500	Fuel Gauge Sending Unit	90.47	

Labor

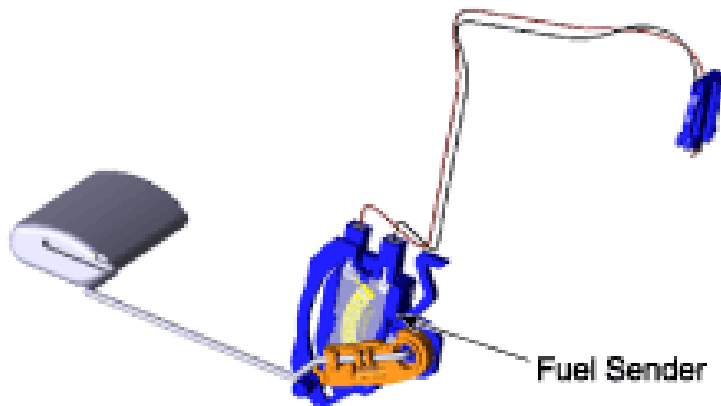
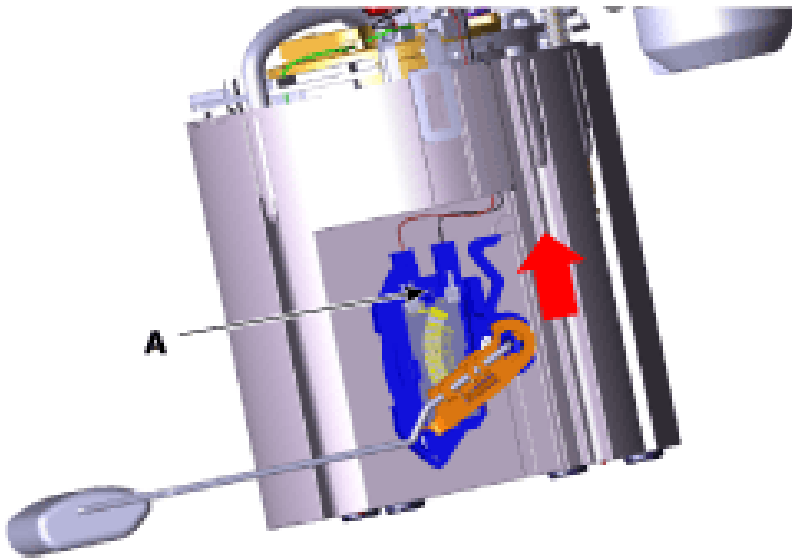
Operation	Qualifier Path	Skill	Std Hrs	Wty Hrs
Remove & Replace	Senders > Fuel Gauge Sending Unit, R&R	B	0.9	0.0

Fuel Sensor - Repair Procedures (Article 44234)

- Removal
- Remove the fuel pump . (Refer to Fuel Delivery System - "Fuel Pump")
- Disconnect the fuel sender connector (A).



- Remove the fuel sender (A) in the direction of an arrow.



- Installation
- Installation is reverse of removal.