

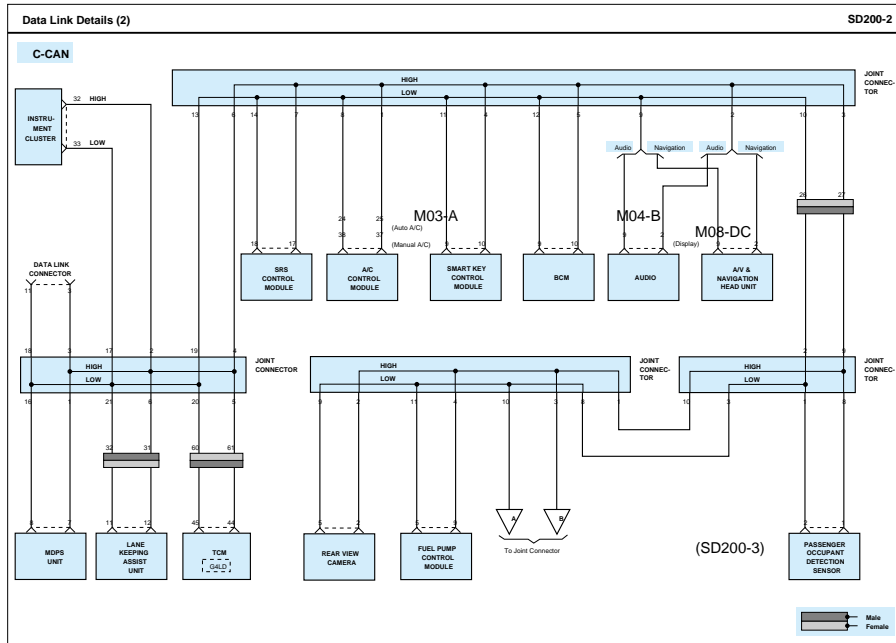
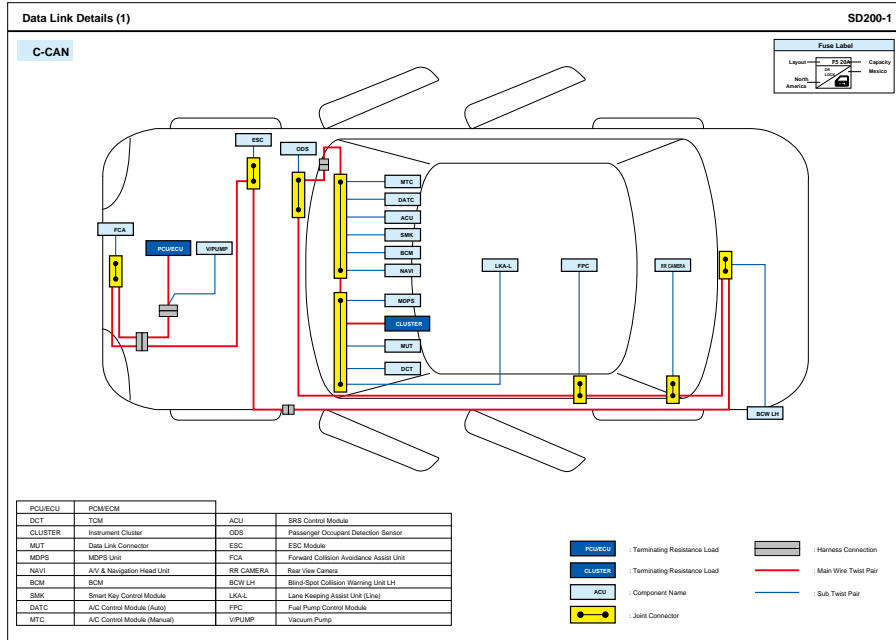
# **Component Procedures: Data Link Connector**

## **Table of Contents**

1. Data Link Details - Schematic Diagrams (Article 42612)
2. Data Link Details - Schematic Diagrams (Article 42613)
3. All New Technical Service Bulletins (itype\_432)
4. All Technical Service Bulletins (itype\_100)

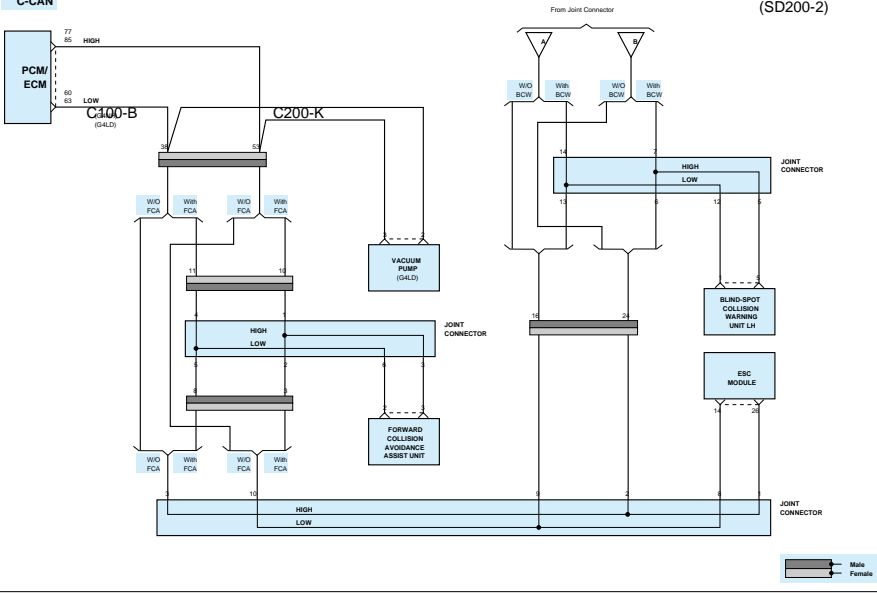
# Component Procedures: Data Link Connector

## Data Link Details - Schematic Diagrams (Article 42612)

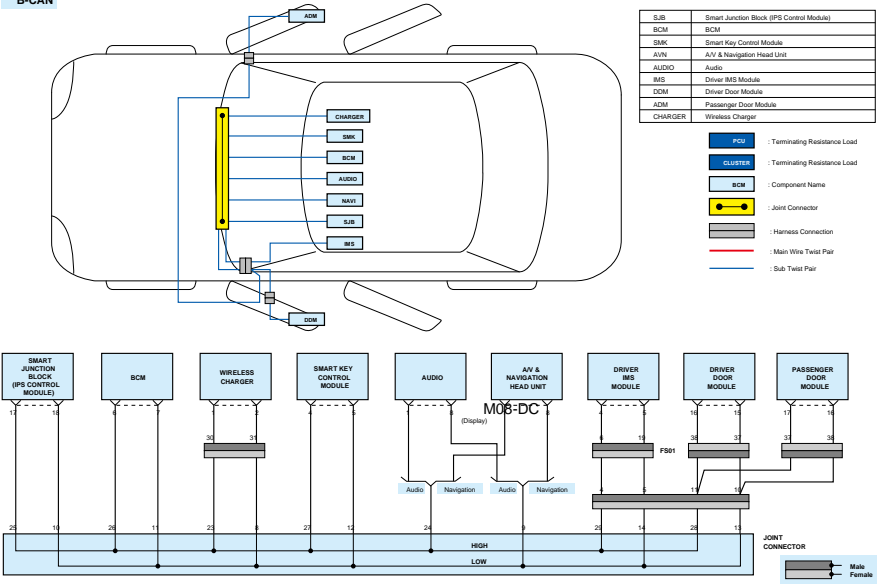


C-CAN

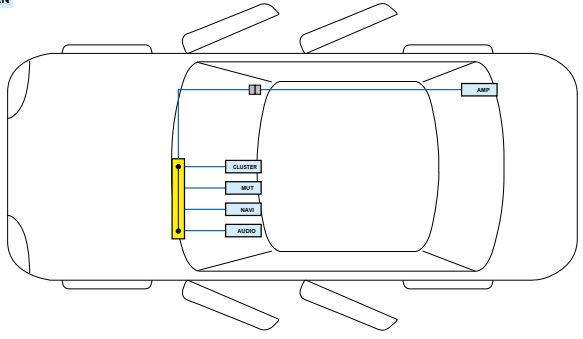
(SD200-2)



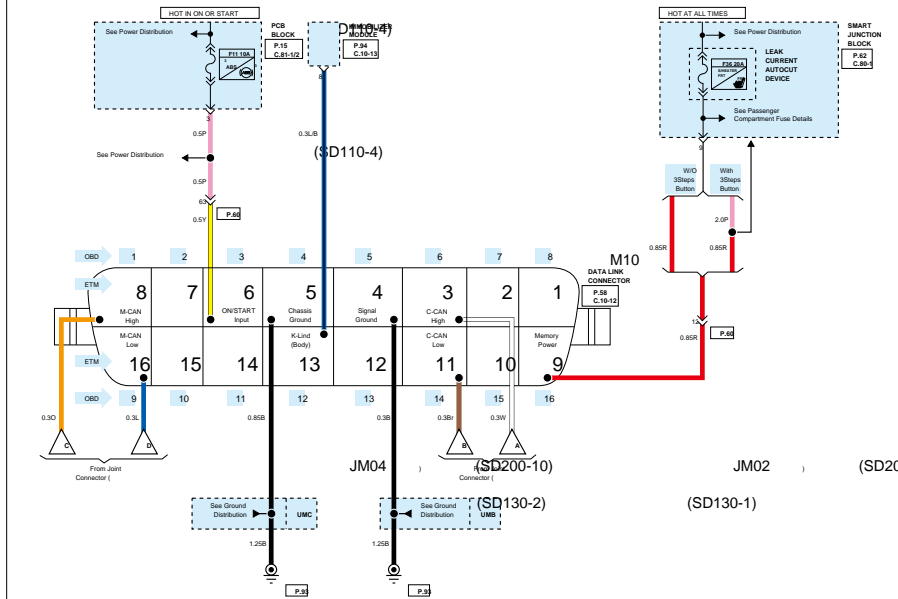
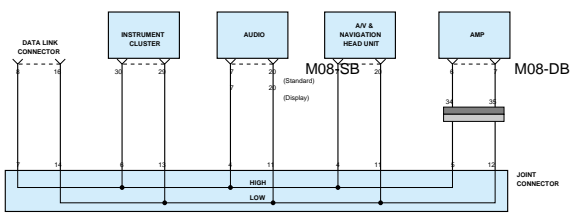
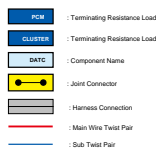
B-CAN



M-CAN

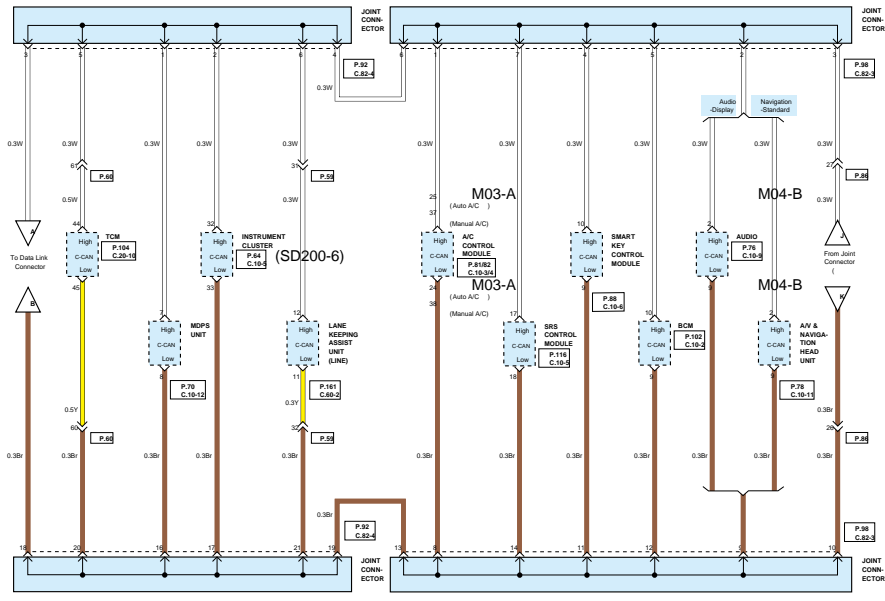
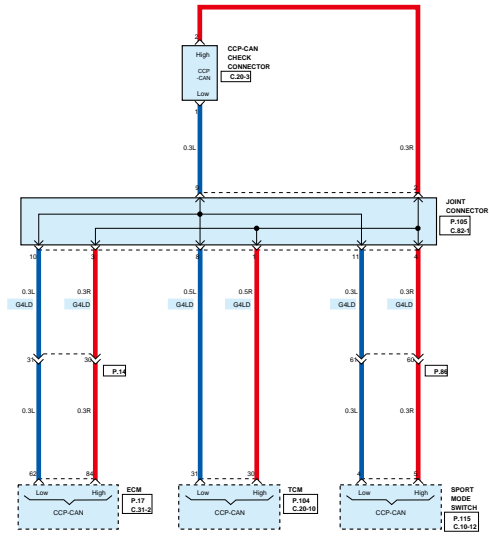


MUT	Data Link Connector
CLUSTER	Instrument Cluster
AVN	AV & Navigation Head Unit
NAVIGARD	Navigation
AMP	AMP
AUDIO	Audio

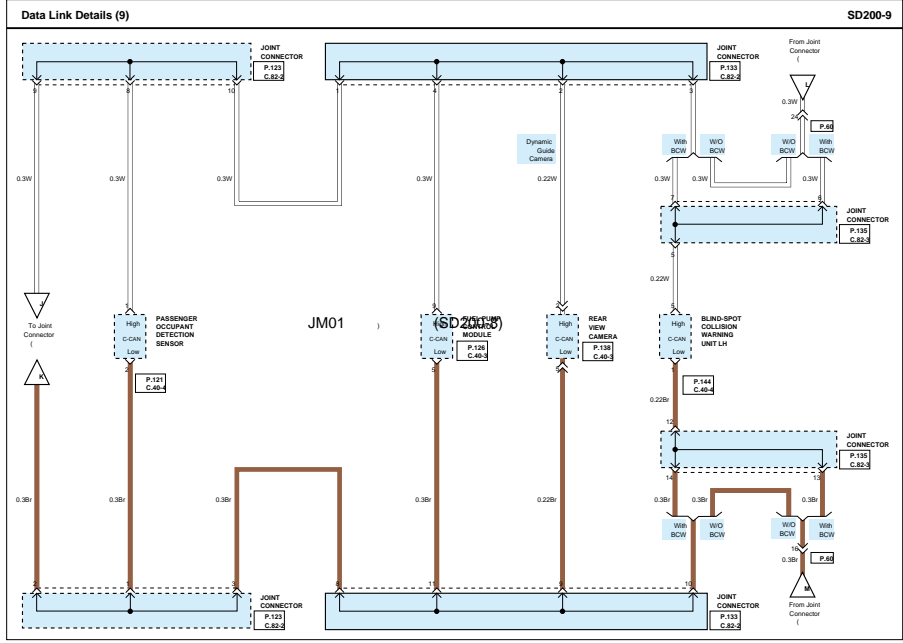


(SD110-10)

(SD120-11)

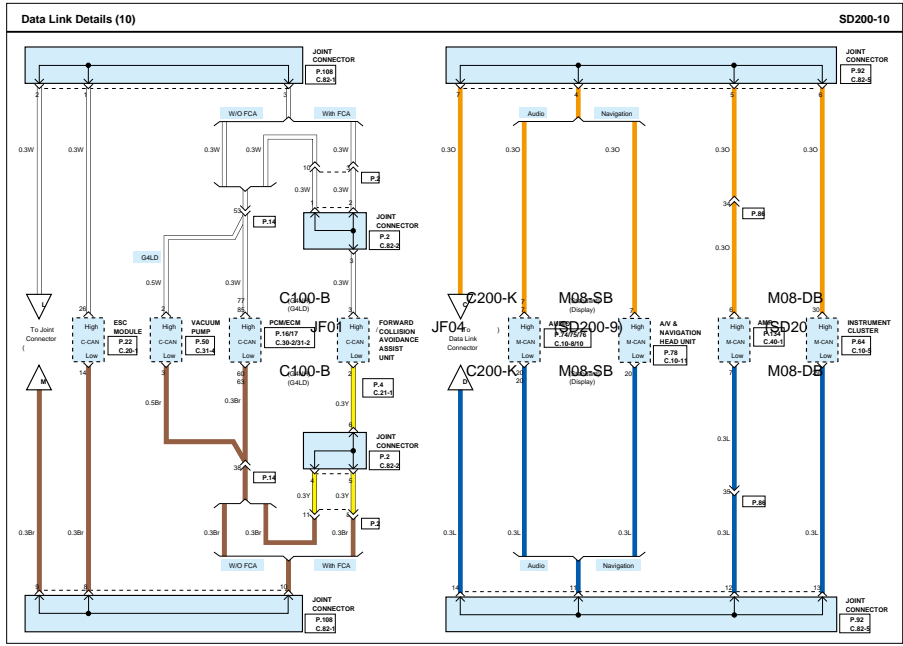


JF02 (SD200-9)

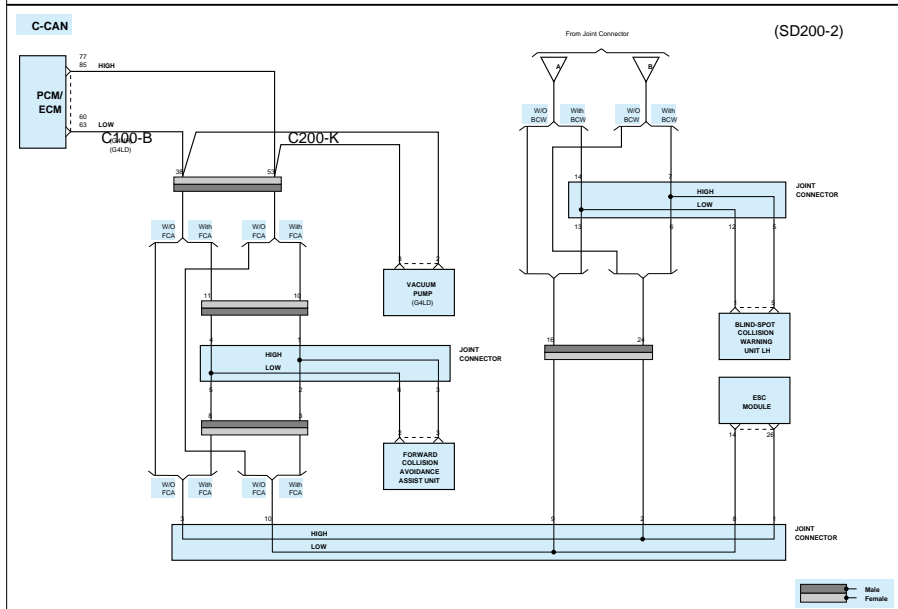
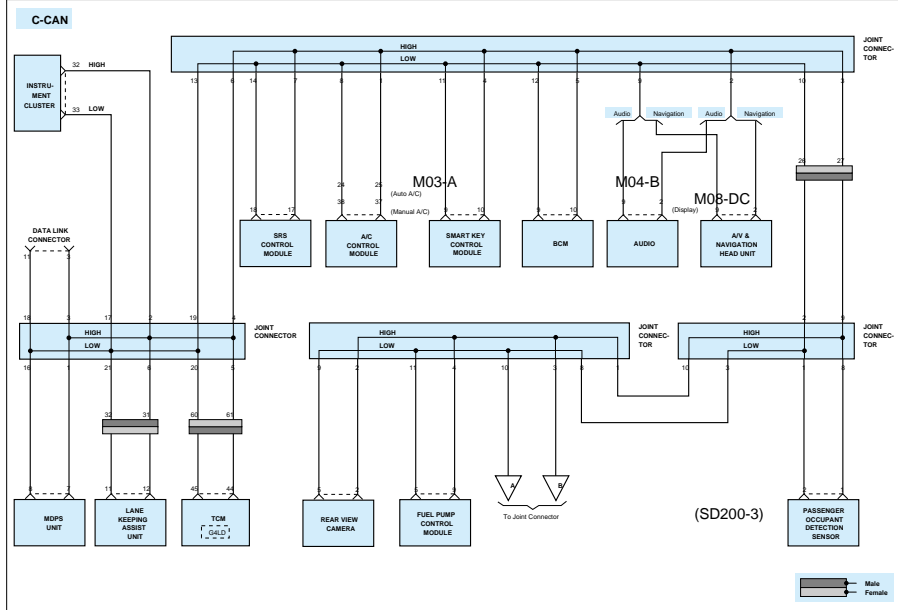


JE01 (SD200-10)

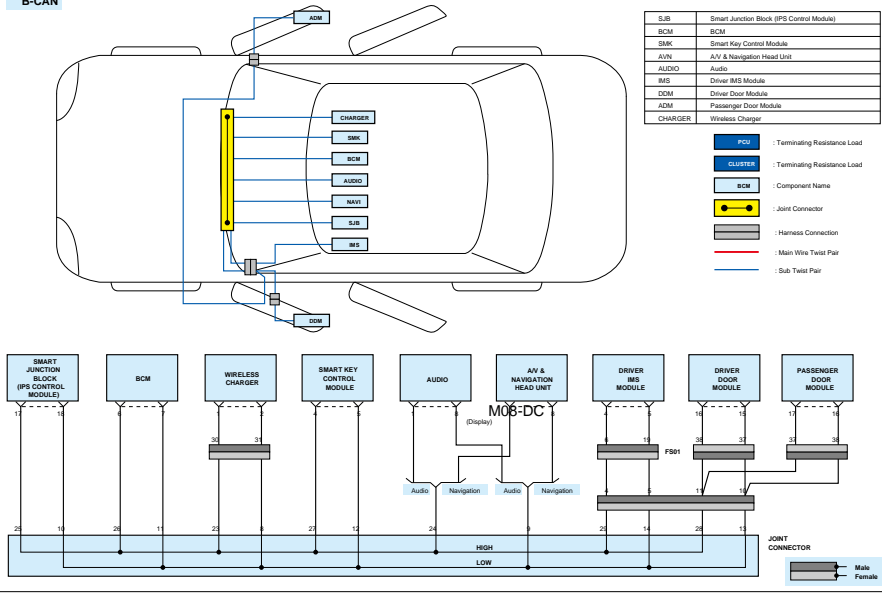
JE01 (SD200-10)



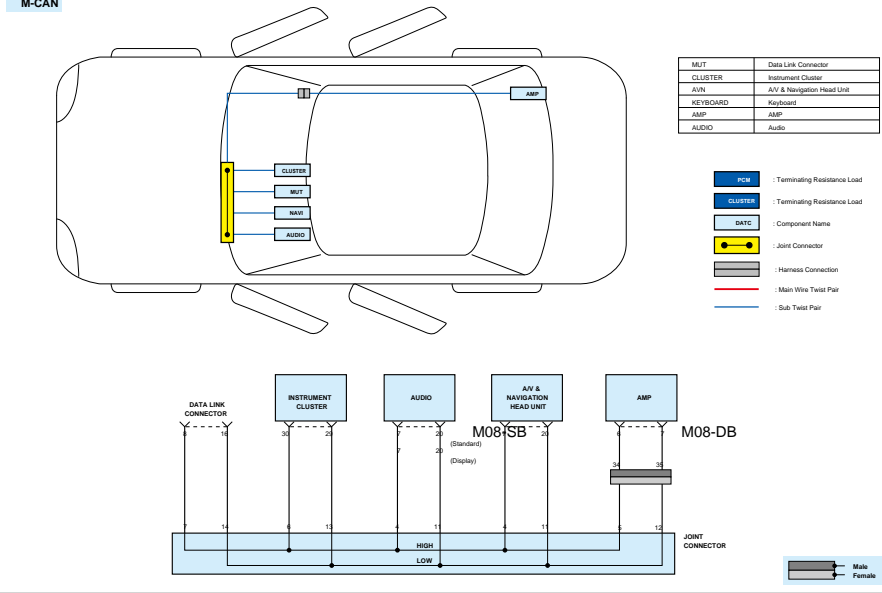


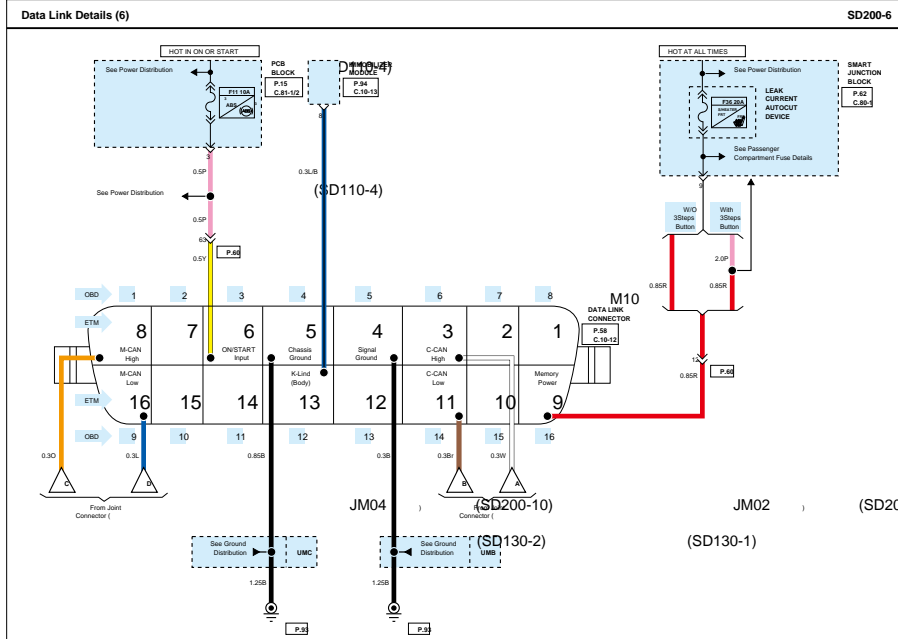


B-CAN



M-CAN



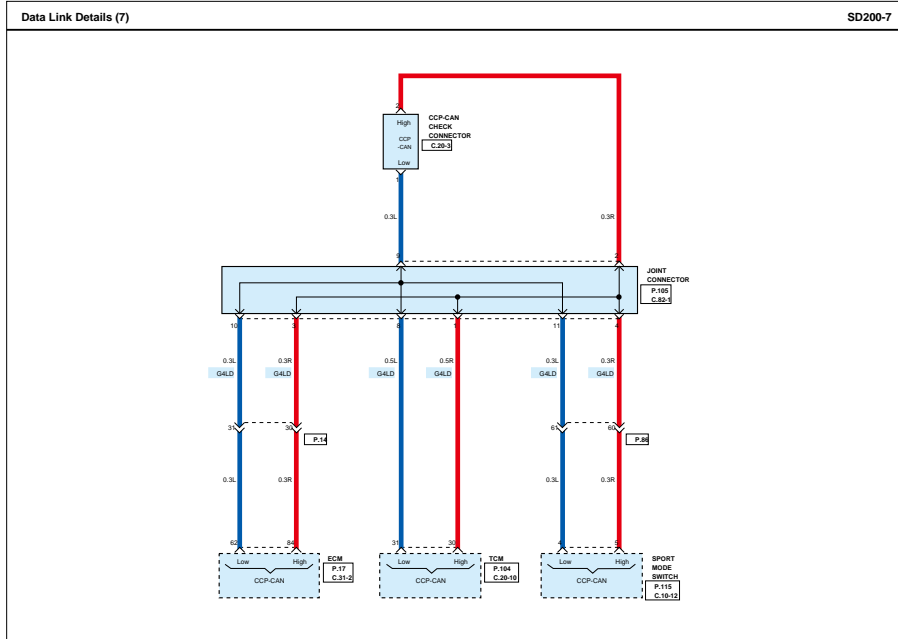


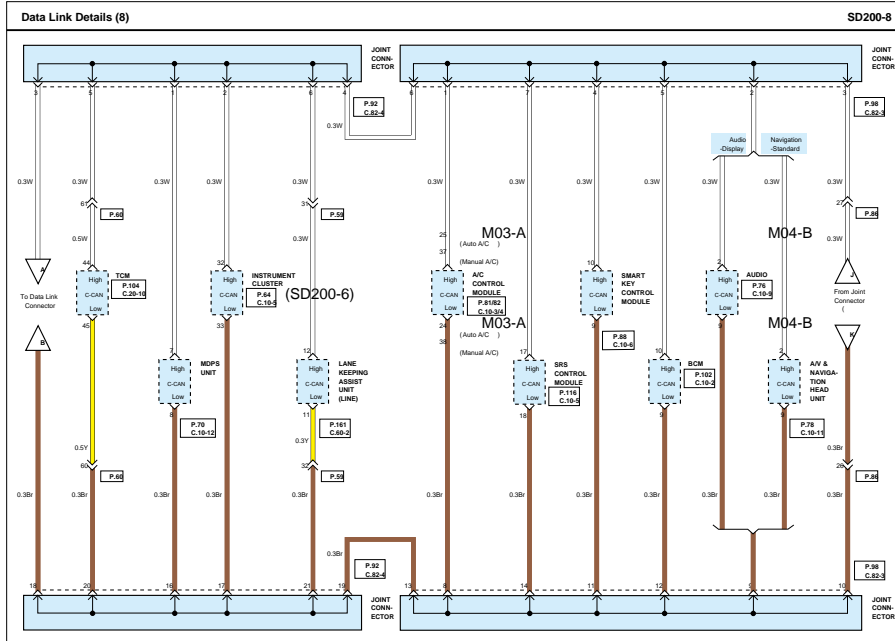
(SD110-10)

(SD120-11)

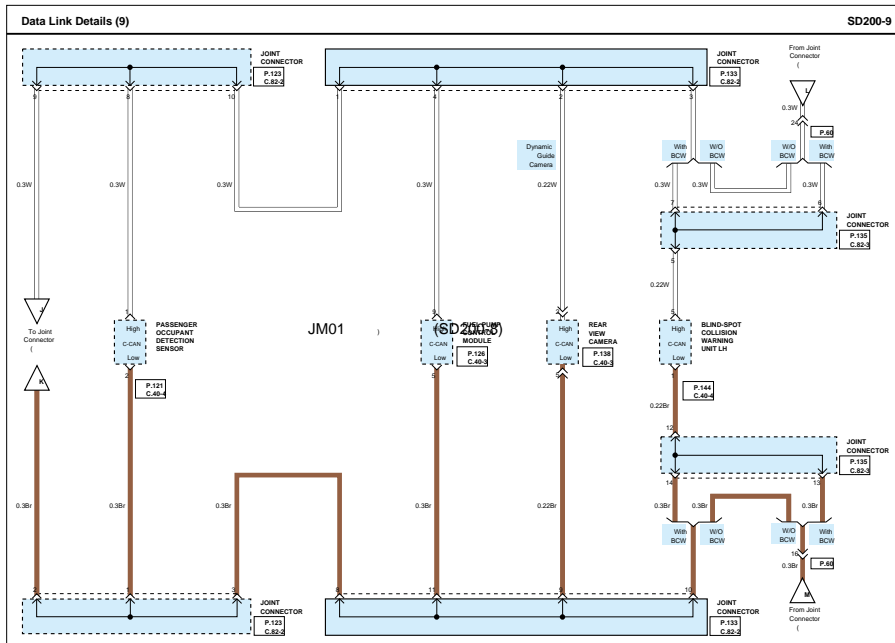
(SD200-8)

(SD130-1)





JF02 (SD200-9)



JE01 (SD200-10)

JE01 (SD200-10)

