

Component Procedures: Fuel Rail

Table of Contents

1. Parts and Labor (itype_189)
2. Delivery Pipe - Repair Procedures (Article 44228)

Component Procedures: Fuel Rail

Parts and Labor (itype_189)

Parts

Qualifier	Part #	Name	Price	Note
Fuel Injection	353402E700	Fuel Rail	130.90	

Labor

Operation	Qualifier Path	Skill	Std Hrs	Wty Hrs
Remove & Replace	Fuel Injection > Fuel Rail, R&R	B	1.5	0.0

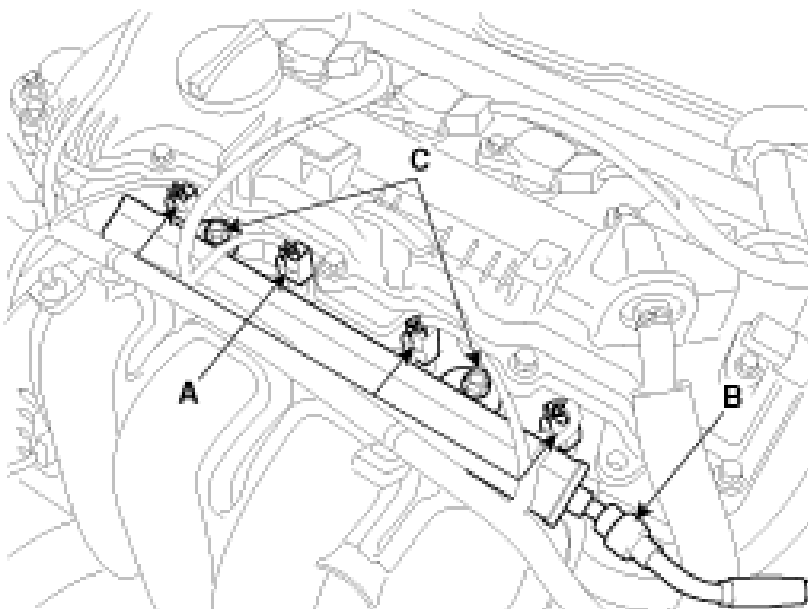
Delivery Pipe - Repair Procedures (Article 44228)

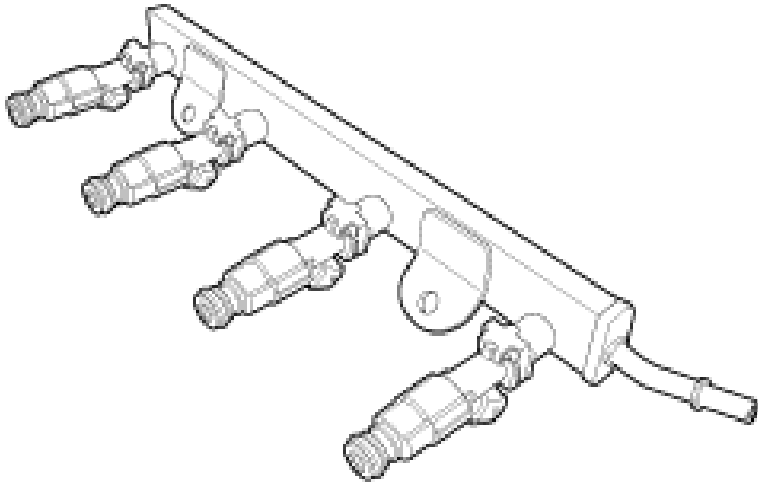
- Removal
- Turn the ignition switch OFF and disconnect the battery negative (-) cable.
- Release the residual pressure in fuel line . When removing the fuel pump relay, a Diagnostic Trouble Code (DTC) may occur. Delete the code with the GDS after completion of "Release Residual Pressure in Fuel Line" work.

When removing the fuel pump relay, a Diagnostic Trouble Code (DTC) may occur. Delete the code with the GDS after completion of "Release Residual Pressure in Fuel Line" work.



- When removing the fuel pump relay, a Diagnostic Trouble Code (DTC) may occur. Delete the code with the GDS after completion of "Release Residual Pressure in Fuel Line" work.
- Disconnect the injector connector (A).
- Disconnect the fuel feed tube quick-connector (B).
- Remove the installation bolt (C), and then remove the delivery pipe & injector assembly from the engine.





- Installation
- Installation is reverse of removal. Delivery pipe installation bolt : 18.6 - 23.5 N.m (1.9 - 2.4 kgf.m, 13.7 - 17.4 lb-ft)