

Component Procedures: Fuel Supply Line

Table of Contents

1. Fuel Line - Repair Procedures (Article 44236)

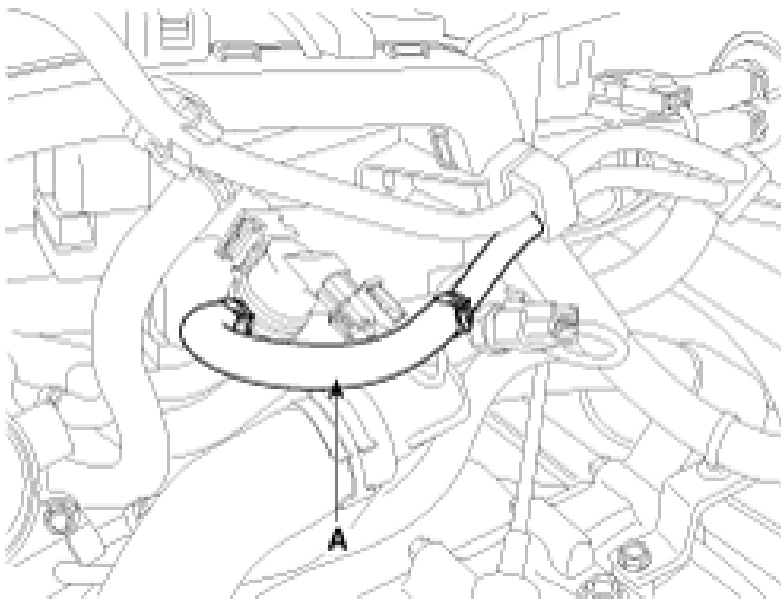
Component Procedures: Fuel Supply Line

Fuel Line - Repair Procedures (Article 44236)

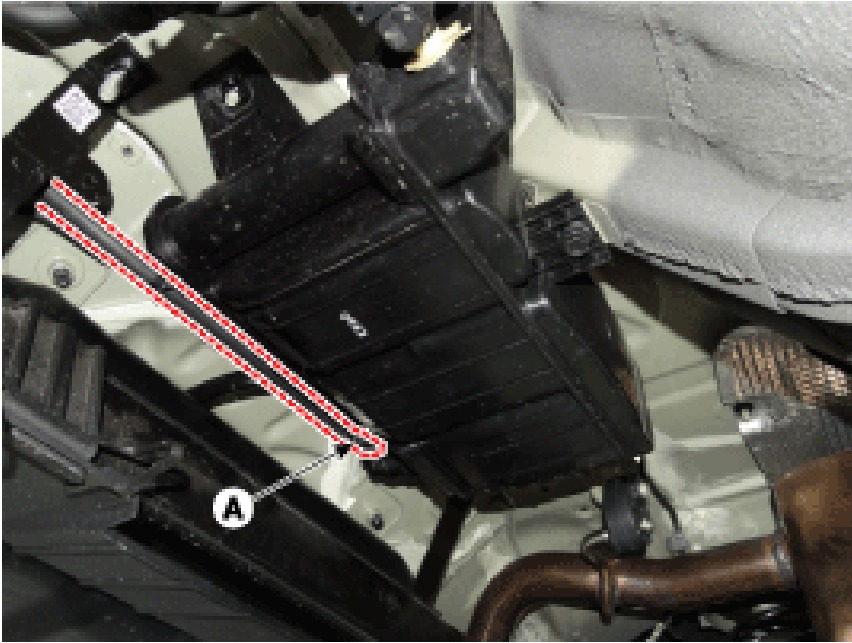
- Removal
- Turn the ignition switch OFF, and then remove battery (-) cable.
- Release the residual pressure in fuel line .
- Disconnect the fuel feed quick-connector (A).



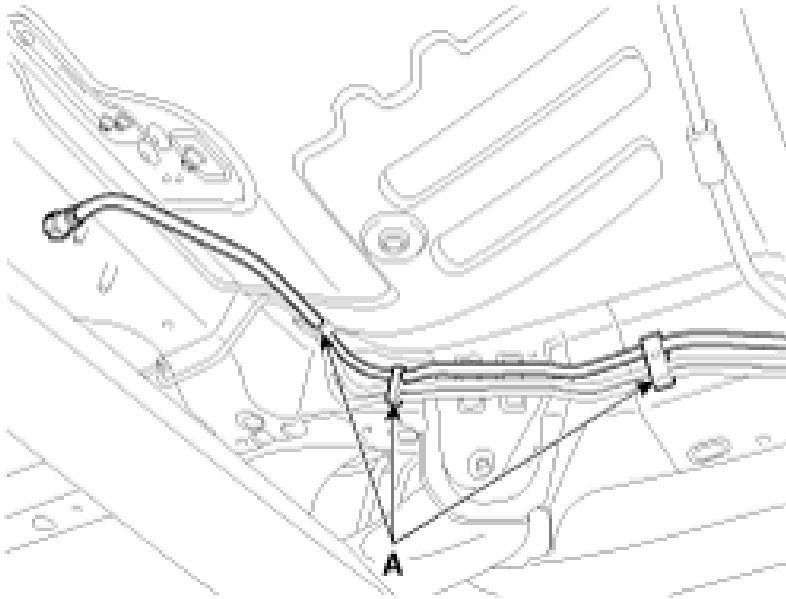
- Disconnect the vapor hose (A) which is connected from the PCSV .



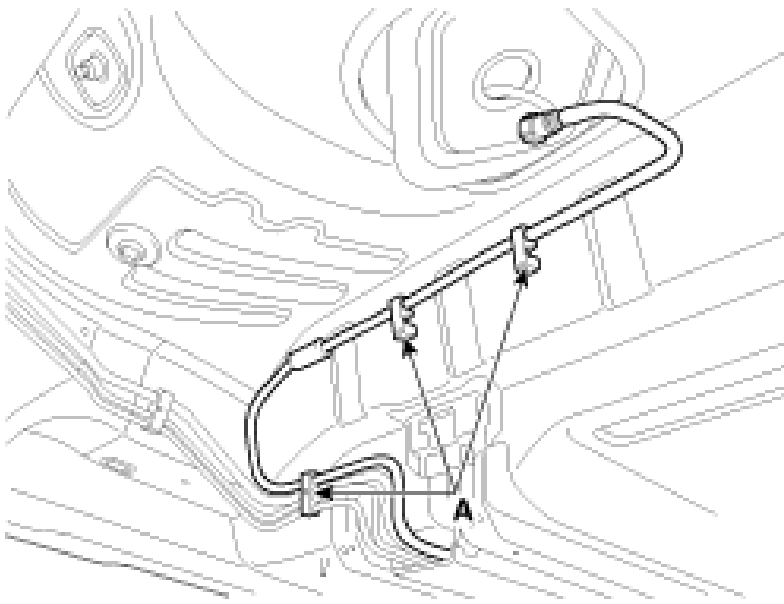
- Lift the vehicle.
- Remove the fuel tank . (Refer to Fuel Delivery System - "Fuel Tank")
- Disconnect the vapor tube quick-connector (A).



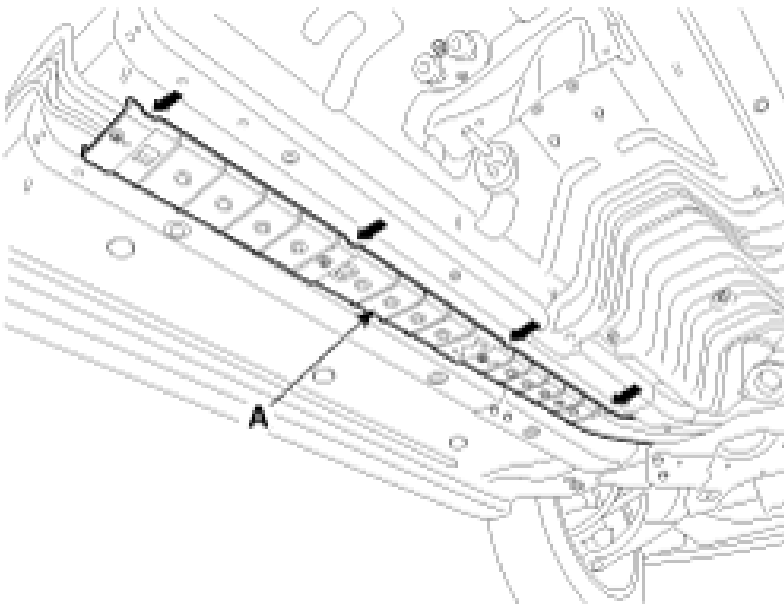
- Remove the vapor tube line fixing clip (A).



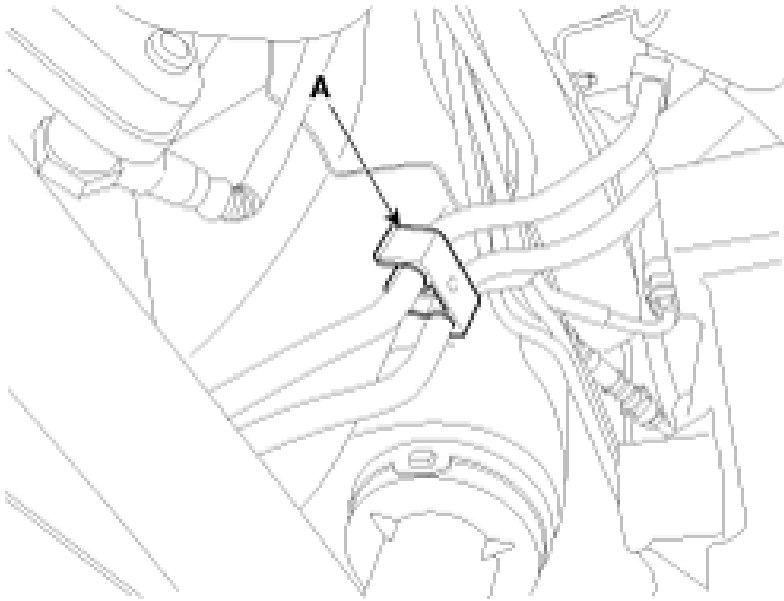
- Remove the fuel feed line fixing clip (A).



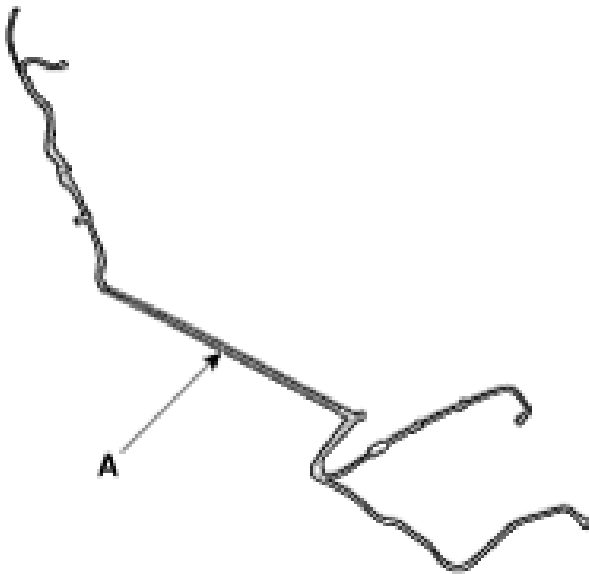
- Disconnect the fuel & brake line protect (A) from the fixing clip.



- Remove the fuel line fixing clip (A).



- Remove the fuel line (A).



- Installation
- Installation is reverse of removal.