

Component Procedures: Refueling Vapor Cut Valve

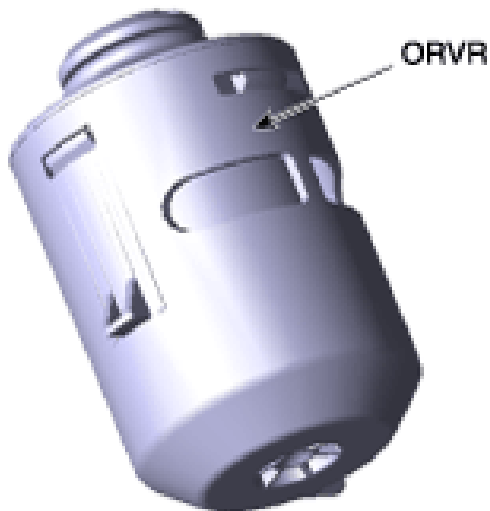
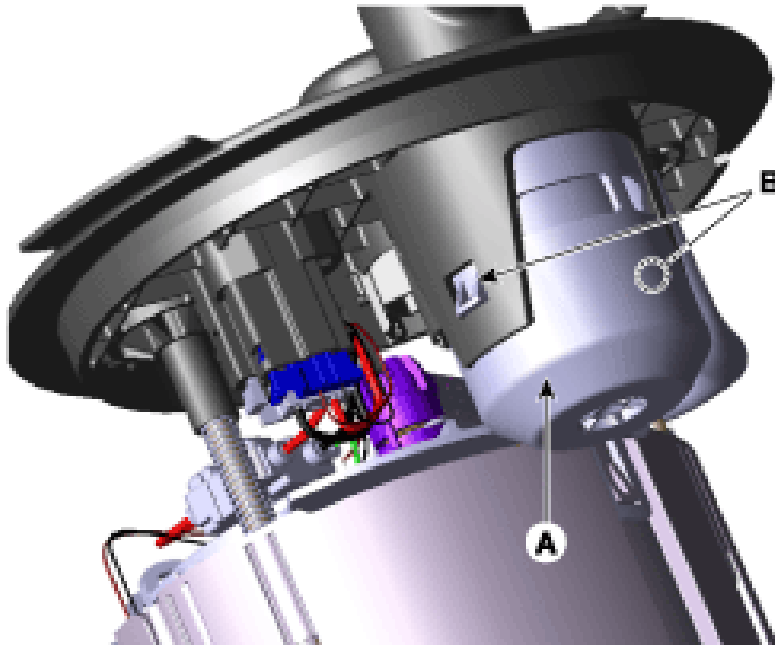
Table of Contents

1. On-board Refueling Vapor Recovery (ORVR) Valve - Repair Procedures (Article 44104)

Component Procedures: Refueling Vapor Cut Valve

On-board Refueling Vapor Recovery (ORVR) Valve - Repair Procedures (Article 44104)

- Removal
- Turn the ignition switch OFF, and then remove battery (-) cable.
- Remove the fuel pump . (Refer to Fuel System - "Fuel Pump")
- Remove the ORVR (A) after releasing hooks (B).



- Installation
- Installation is the reverse of removal.