

Component Procedures: Parking Assist Distance Sensor

Table of Contents

1. Parts and Labor (itype_189)
2. Parking Distance Warning Sensor - Components and Components Location (Article 44666)
3. Parking Distance Warning Sensor - Repair Procedures (Article 44667)

Component Procedures: Parking Assist Distance Sensor

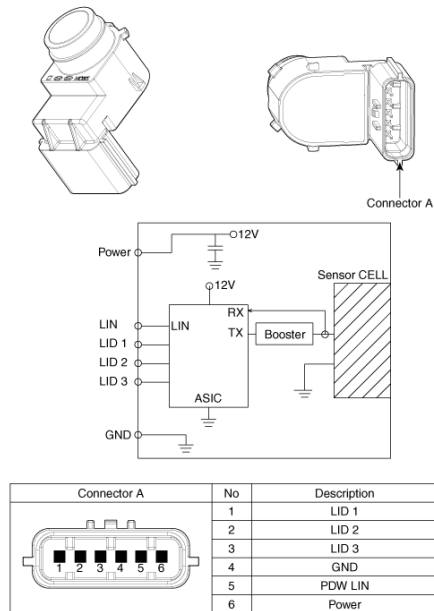
Parts and Labor (itype_189)

Labor

Operation	Qualifier Path	Skill	Std Hrs	Wty Hrs
Remove & Replace	Parking Aid > Sensor, R&R > Front > All	B	1.8	0.0
Remove & Replace	Parking Aid > Sensor, R&R > Front > One	B	1.6	0.0
Remove & Replace	Parking Aid > Sensor, R&R > Rear > All	B	2.1	0.0
Remove & Replace	Parking Aid > Sensor, R&R > Rear > One	B	1.9	0.0

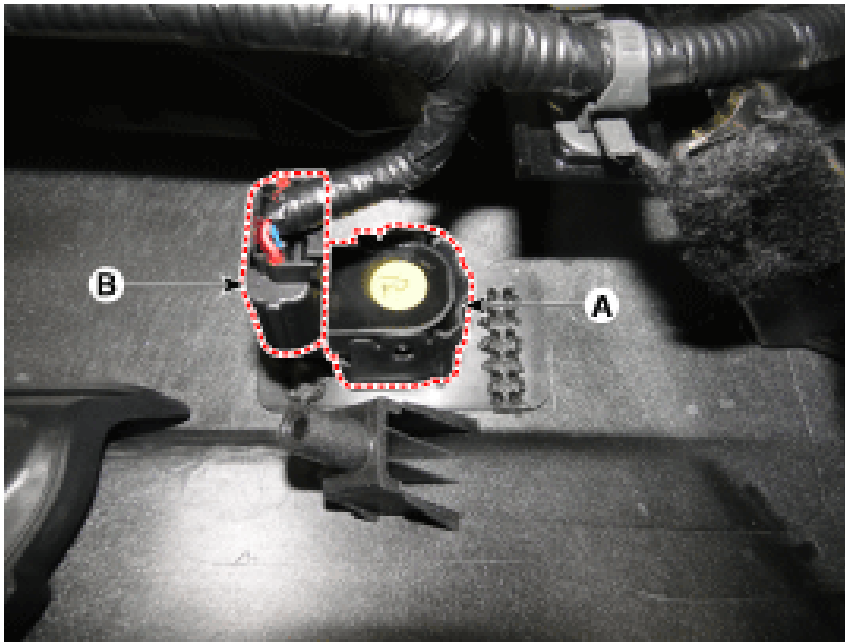
Parking Distance Warning Sensor - Components and Components Location (Article 44666)

- Component

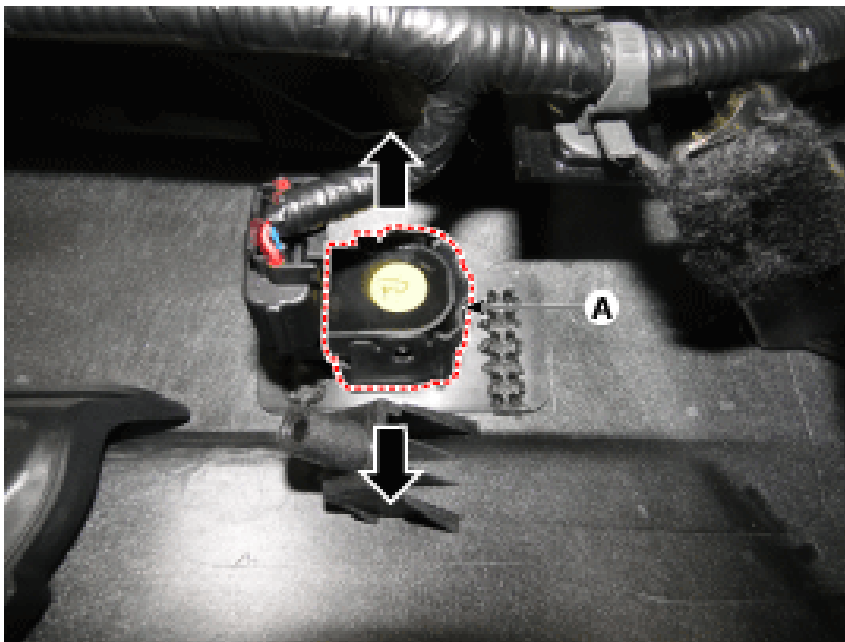


Parking Distance Warning Sensor - Repair Procedures (Article 44667)

- Removal
- Disconnect the negative (-) battery terminal.
- Remove the front / rear bumper cover. (Refer to Body - "Front Bumper Cover") (Refer to Body - "Rear Bumper Cover")
- Disconnect the connector (B) from the PDW sensor (A).



- Remove the sensor (A) by pulling out both ends of the sensor holder.



- Installation
- Install the PDW sensor after connecting the connector.
- Install the bumper cover.
- Connect the negative (-) battery terminal.