

Component Procedures: Wiper Blade Heater

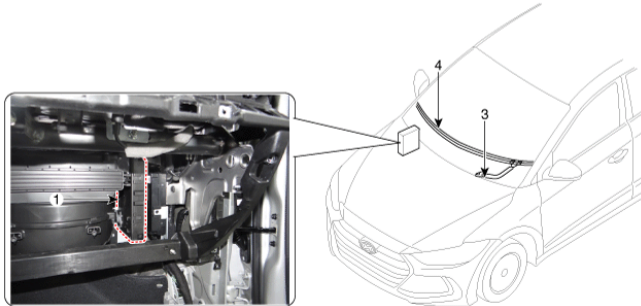
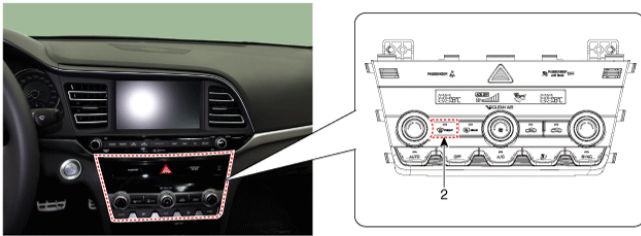
Table of Contents

1. Windshield Deicer - Components and Components Location (Article 44615)
2. Windshield Deicer - Repair Procedures (Article 44616)

Component Procedures: Wiper Blade Heater

Windshield Deicer - Components and Components Location (Article 44615)

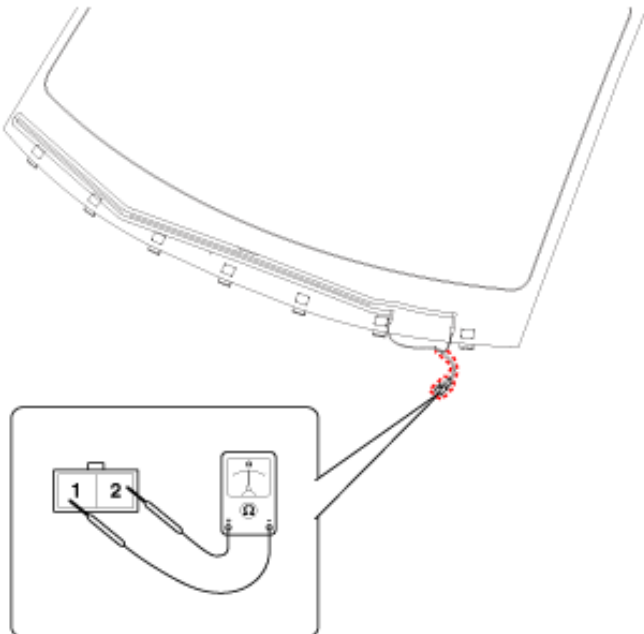
- Component Location



1. Body control module (BCM) 2. Windshield deicer switch 3. Deicer connector 4. Windshield deicer

Windshield Deicer - Repair Procedures (Article 44616)

- Inspection
- Remove the cowl top cover. (Refer to Body - "Cowl Top Cover")
- Disconnect the windshield deicer connector.
- Check for continuity between the terminals of deicer lines.



- Turn the ignition switch ON and the windshield deicer switch ON, then measure the voltage between the terminals of harness side deicer connector. OK : approx. Battery voltage (12V)